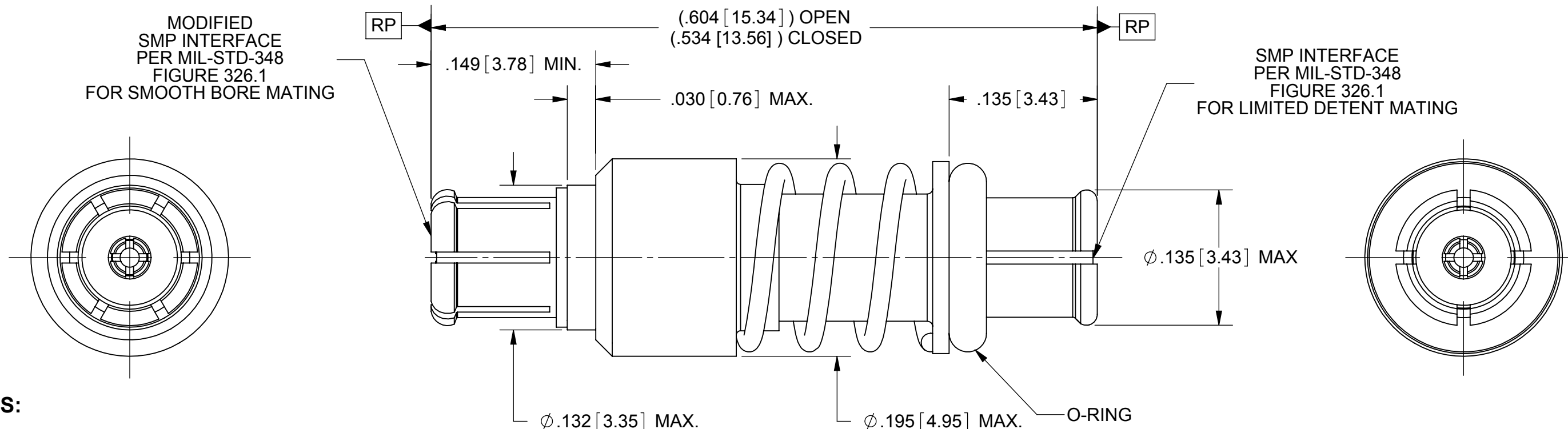


PRODUCT DATA DRAWING

REVISION HISTORY			
REV	DESCRIPTION	DATE	APPROVED
-	DCN 36469	02/09	JMC
A	DCN 39762	04/13	EFT
B	DCN 39763	04/13	EFT



MATERIALS:

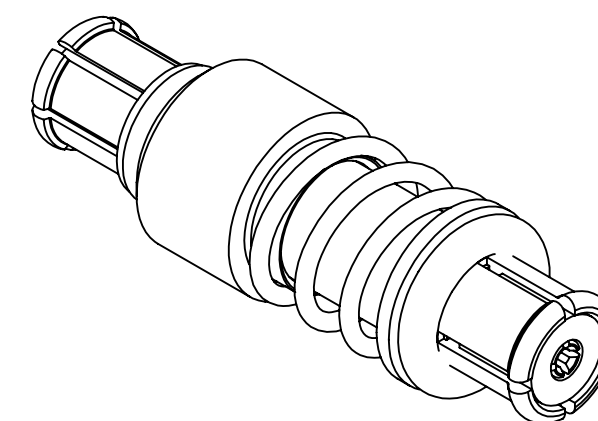
- BODY & CONTACT: BERYLLIUM COPPER PER ASTM B196, ALLOY No. UNS C17300, TD04.
- INSULATORS: PTFE PER ASTM D1710.
- SPRING: STAINLESS STEEL PER AMS-5678, ALLOY S17700.
- O-RING: SILICONE RUBBER PER A-A-59588, CLASS 2A, GRADE 70.

FINISHES:

- BODY & CONTACT: GOLD PER ASTM B488, TYPE I GRADE C, CLASS 1.27, OVER ELECTRO-LESS NICKEL PER AMS-2404, CLASS 4, .00050" MINIMUM.
- SPRING: PASSIVATED PER ASTM A967

PERFORMANCE:

- IMPEDANCE: 50 ± 1 OHMS
- FREQ. RANGE: DC - 40 GHz
- VSWR: 1.30:1, DC - 12 GHz
1.40:1, 12 - 18 GHz
1.60:1, 18 - 40 GHz
- INSERTION LOSS: 0.4 dB, DC - 12 GHz
0.6 dB, 12 - 18 GHz
0.8 dB, 18 - 40 GHz
- DWV: 500 VRMS
- INSULATION RES.: 5,000 MEGOHMS MIN
- WEIGHT: 0.06 OUNCES MAX
- SPRING FORCE: 4 LBS MAX AT FULL DEFLECTION, 2 LBS MIN PRELOAD.



MATERIAL: SEE NOTES	DIMENSIONS ARE IN INCHES TOLERANCES: FRACTIONAL: $\pm 1/64$ ANGULAR: X° $\pm 1'0''$ X'X' $\pm 15''$	UNLESS OTHERWISE SPECIFIED 1) ALL DIMENSIONS ARE IN INCHES (MILLIMETERS) 2) ALL DIMENSIONS ARE AFTER PLATING. 3) BREAK CORNERS & EDGES .005 R. MAX. 4) CHAM. 1ST & LAST THREADS. 5) SURFACE ROUGHNESS 63-MIL-STD-10. 6) DIA: 'S ON COMMON CENTERS TO BE CONCENTRIC WITHIN .005 T.I.R. 7) REMOVE ALL BURRS	SV Microwave, Inc. 2400 Centrepark West Drive, Suite 100 West Palm Beach, FL 33409	
FINISH: SEE NOTES	DECIMAL: X $\pm .030$.XX $\pm .010$.XXX $\pm .005$		TITLE: SMP TELESCOPIC ADAPTOR	
SURFACE AREA: N/A	INTERPRET DIMENSIONS AND TOLERANCES PER ASME Y14.5M - 1994	THIRD ANGLE PROJECTION	DRAWN: PJS 02/13/09	SIZE: B
PROPRIETARY THE INFORMATION CONTAINED IN THIS DRAWING IS THE SOLE PROPERTY OF SV MICROWAVE, INC. ANY REPRODUCTION IN PART OR AS A WHOLE WITHOUT THE WRITTEN PERMISSION OF SV MICROWAVE, INC IS PROHIBITED.			CHECKED: JMC 02/13/09	CAGE CODE: 95077
			APPROVED: JMC 02/13/09	DWG. NO. 1112-4019
				SCALE: 10:1
				SHEET 1 OF 1

Mouser Electronics

Authorized Distributor

Click to View Pricing, Inventory, Delivery & Lifecycle Information:

[Amphenol:](#)

[1112-4019](#)