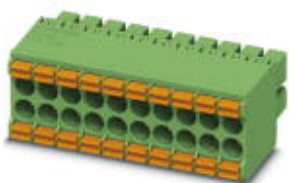


# Printed-circuit board connector - DFMC 1,5/14-ST-3,5 - 1790221

Please be informed that the data shown in this PDF Document is generated from our Online Catalog. Please find the complete data in the user's documentation. Our General Terms of Use for Downloads are valid (<http://phoenixcontact.com/download>)

Plug, nominal current: 8 A, rated voltage (III/2): 160 V, number of positions: 14 with 28 contacts, pitch: 3.5 mm, connection method: spring-cage connection, color: green, contact surface: tin



The figure shows a 10-pos. version with 20 contacts

## Why buy this product

- Combination with very flat DMC headers
- Versions with and without screw flanges and Lock & Release levers
- Ultra-flat design height of 13.3 mm
- Conductor cross section of up to 1.5 mm<sup>2</sup>
- Fast conductor connection by means of Push-in direct plug-in technology
- Lock & Release levers lock the plug to the header and also serve as a release tool



## Key Commercial Data

|                                      |   |
|--------------------------------------|---|
| Packing unit                         | 50 pc   |
| GTIN                                 | <br>4 046356 594479 |
| Weight per Piece (excluding packing) | 14.68 g   |
| Custom tariff number                 | 85366990  |
| Country of origin                    | Germany   |
| Note                                 | Made to Order (non-returnable)  |

## Technical data

### Dimensions

|             |          |
|-------------|----------|
| Length      | 22.65 mm |
| Height      | 13.25 mm |
| Pitch       | 3.50 mm  |
| Dimension a | 45.5 mm  |

### General

|                           |                |
|---------------------------|----------------|
| Range of articles         | DFMC 1,5/..-ST |
| Insulating material group | I              |

# Printed-circuit board connector - DFMC 1,5/14-ST-3,5 - 1790221

## Technical data

### General

|  |                     |
|--|---------------------|
| Rated surge voltage (III/3)            | 2.5 kV              |
| Rated surge voltage (III/2)            | 2.5 kV              |
| Rated surge voltage (II/2)             | 2.5 kV              |
| Rated voltage (III/3)                  | 160 V               |
| Rated voltage (III/2)                  | 160 V               |
| Rated voltage (II/2)                   | 250 V               |
| Connection in acc. with standard       | EN-VDE              |
| Nominal current $I_N$                  | 8 A                 |
| Nominal cross section                  | 1.5 mm <sup>2</sup> |
| Maximum load current                   | 8 A                 |
| Insulating material                    | PA                  |
| Flammability rating according to UL 94 | V0                  |
| Internal cylindrical gage              | A1                  |
| Stripping length                       | 10 mm               |
| Number of positions                    | 14                  |

### Connection data

|  |                      |
|--|----------------------|
| Conductor cross section solid min.   | 0.2 mm <sup>2</sup>  |
| Conductor cross section solid max.   | 1.5 mm <sup>2</sup>  |
| Conductor cross section flexible min.                                      | 0.2 mm <sup>2</sup>  |
| Conductor cross section flexible max.                                      | 1.5 mm <sup>2</sup>  |
| Conductor cross section flexible, with ferrule without plastic sleeve min. | 0.25 mm <sup>2</sup> |
| Conductor cross section flexible, with ferrule without plastic sleeve max. | 1.5 mm <sup>2</sup>  |
| Conductor cross section flexible, with ferrule with plastic sleeve min.    | 0.25 mm <sup>2</sup> |
| Conductor cross section flexible, with ferrule with plastic sleeve max.    | 0.75 mm <sup>2</sup> |
| Conductor cross section AWG min.   | 24                   |
| Conductor cross section AWG max.   | 16                   |
| Minimum AWG according to UL/CUL  | 16                   |
| Maximum AWG according to UL/CUL  | 24                   |

## Classifications

### eCl@ss

|            |          |
|------------|----------|
| eCl@ss 4.0 | 272607xx |
| eCl@ss 4.1 | 27260701 |
| eCl@ss 5.0 | 27260701 |
| eCl@ss 5.1 | 27141190 |
| eCl@ss 6.0 | 27260704 |
| eCl@ss 7.0 | 27440402 |
| eCl@ss 8.0 | 27440309 |

# Printed-circuit board connector - DFMC 1,5/14-ST-3,5 - 1790221

## Classifications

### ETIM

|          |          |
|----------|----------|
| ETIM 4.0 | EC002638 |
| ETIM 5.0 | EC002638 |

### UNSPSC

|               |          |
|---------------|----------|
| UNSPSC 6.01   | 30211810 |
| UNSPSC 7.0901 | 39121409 |
| UNSPSC 11     | 39121409 |
| UNSPSC 12.01  | 39121409 |
| UNSPSC 13.2   | 39121409 |

## Approvals

### Approvals


#### Approvals


VDE Gutachten mit Fertigungsüberwachung / IECEE CB Scheme / cULus Recognized

#### Ex Approvals

#### Approvals submitted

## Approval details

|   |         |
|---|---------|
| VDE Gutachten mit Fertigungsüberwachung  |         |
| mm <sup>2</sup> /AWG/kcmil  | 0.2-1.5 |
| Nominal current I <sub>N</sub>  | 8 A     |
| Nominal voltage U <sub>N</sub>  | 160 V   |

|   |       |
|---|-------|
| IECEE CB Scheme  |       |
| Nominal current I <sub>N</sub>  | 8 A   |
| Nominal voltage U <sub>N</sub>  | 160 V |

# Printed-circuit board connector - DFMC 1,5/14-ST-3,5 - 1790221

## Approvals

|                                |       |       |
|--------------------------------|-------|-------|
| cULus Recognized               |       |       |
|                                | B     | C     |
| mm <sup>2</sup> /AWG/kcmil     | 16-24 | 16-24 |
| Nominal current I <sub>N</sub> | 8 A   | 8 A   |
| Nominal voltage U <sub>N</sub> | 150 V | 50 V  |

## Accessories

### Accessories

#### Coding element

Coding profile - CP-DMC 1,5 NAT - 1790647

Coding profile, for plugging into the coding ribs of the plug or header at a later date, insulating material, color: natural



---

### Crimping tool

Crimping pliers - CRIMPFOX 6 - 1212034



Crimping pliers, for ferrules without insulating collar according to DIN 46228 Part 1 and ferrules with insulating collar according to DIN 46228 Part 4, 0.25 mm<sup>2</sup> ... 6.0 mm<sup>2</sup>, lateral entry, trapezoidal crimp

---

### Screwdriver tools

Screwdriver - SZS 0,4X2,5 VDE - 1205037



Screwdriver, slot-headed, VDE insulated, size: 0.4 x 2.5 x 80 mm, 2-component grip, with non-slip grip

---

### Additional products

## Printed-circuit board connector - DFMC 1,5/14-ST-3,5 - 1790221

### Accessories

Printed-circuit board connector - DMC 1,5/14-G1-3,5 P20THR - 1786950



Header, Nominal current: 8 A, Rated voltage (III/2): 160 V, Number of positions: 14, Pitch: 3.5 mm, Color: black, Contact surface: Tin, Mounting: SMD/THT/THR

---

Printed-circuit board connector - DMCV 1,5/14-G1-3,5 P20THR - 1787328



Header, Nominal current: 8 A, Rated voltage (III/2): 160 V, Number of positions: 14, Pitch: 3.5 mm, Color: black, Contact surface: Tin, Mounting: SMD/THT/THR

---

Printed-circuit board connector - DMC 1,5/14-G1-3,5 P20THR R72 - 1706054



Header, Nominal current: 8 A, Rated voltage (III/2): 160 V, Number of positions: 14, Pitch: 3.5 mm, Color: black, Contact surface: Tin, Mounting: Taped SMD/THT/THR components

---

Printed-circuit board connector - DMCV 1,5/14-G1-3,5 P20THR R72 - 1818698



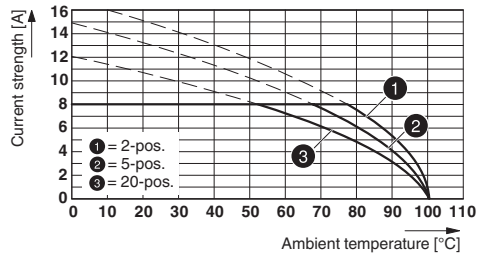
Header, Nominal current: 8 A, Rated voltage (III/2): 160 V, Number of positions: 14, Pitch: 3.5 mm, Color: black, Contact surface: Tin, Mounting: Taped SMD/THT/THR components

---

### Drawings

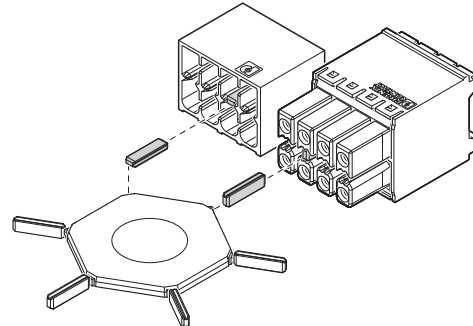
# Printed-circuit board connector - DFMC 1,5/14-ST-3,5 - 1790221

Diagram



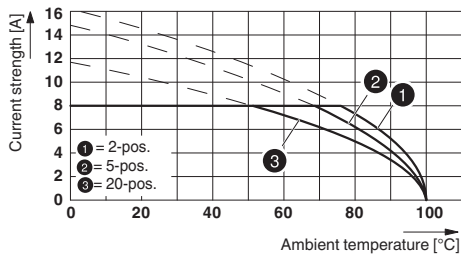
Typ: DFMC 1,5/...-ST-3,5 with DMCV 1,5/...-G1-3,5 P20 THR

Schematic diagram



Use of the CP-DMC... coding profile

Diagram



Typ: DFMC 1,5/...-ST-3,5 with DMC 1,5/...-G1-3,5 P20 THR

Dimensional drawing

