

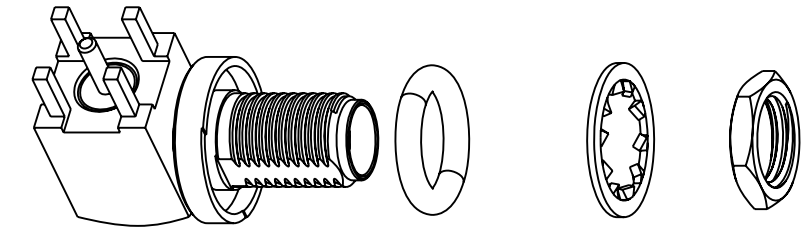
NOTES:

1. MATERIALS AND FINISHES:
 HOUSING WITH BODY - BRASS, GOLD PLATING
 CONTACT - BREYLLIUM COPPER & BRASS, GOLD PLATING
 INSULATOR - PTFE, NATURAL
2. ELECTRICAL:
 A. IMPEDANCE: 50 OHM
 B. FREQUENCY RANGE: DC 0-12.4 GHz
 C. DIELECTRIC WITHSTANDING VOLTAGE: 1000 VRMS, MIN.
3. MECHANICAL:
 A. DURABILITY: 500 CYCLES MIN.
 B. TEMPERATURE RANGE: - 65 °C to +165 °C
 C. IP-67 COMPLIANT

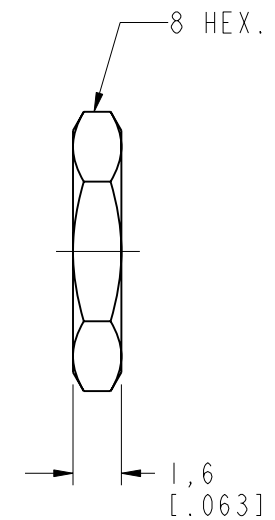
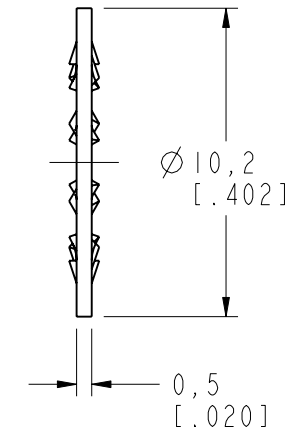
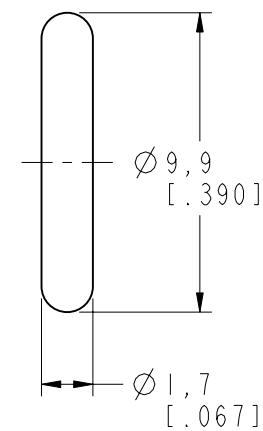
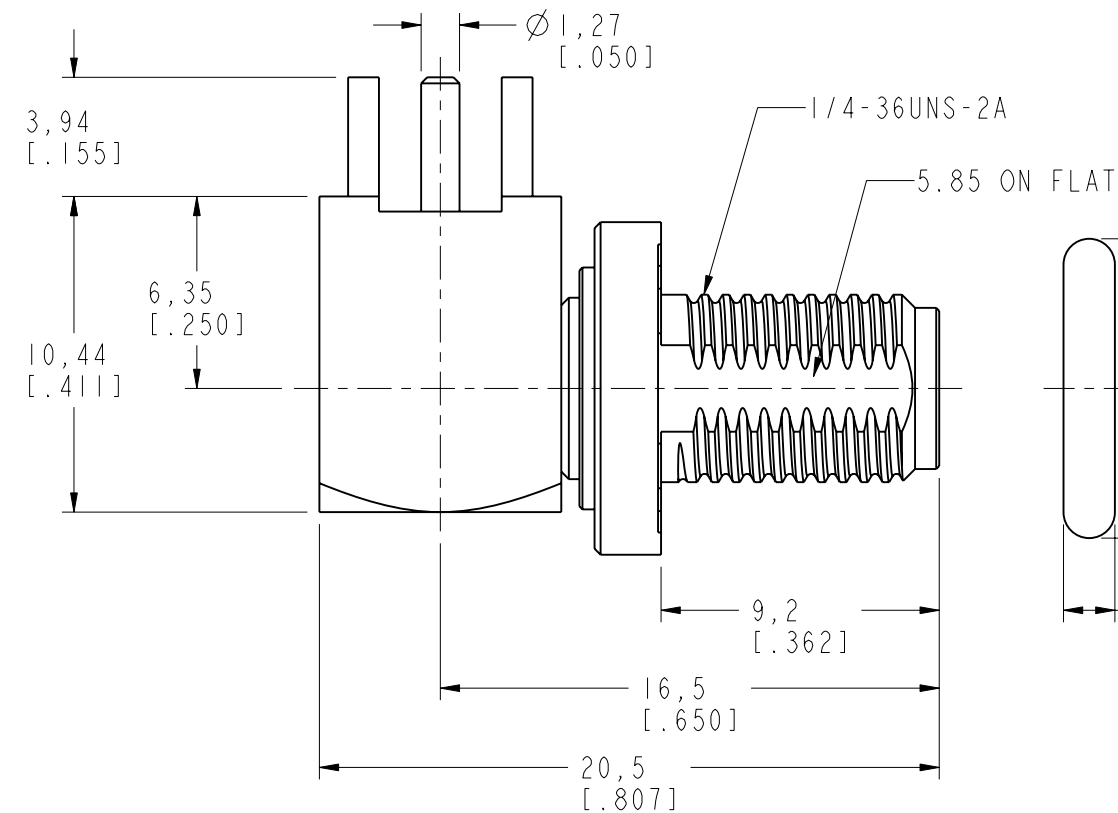
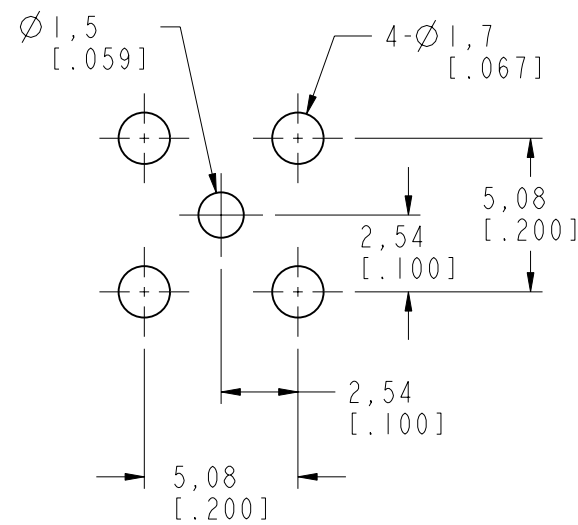
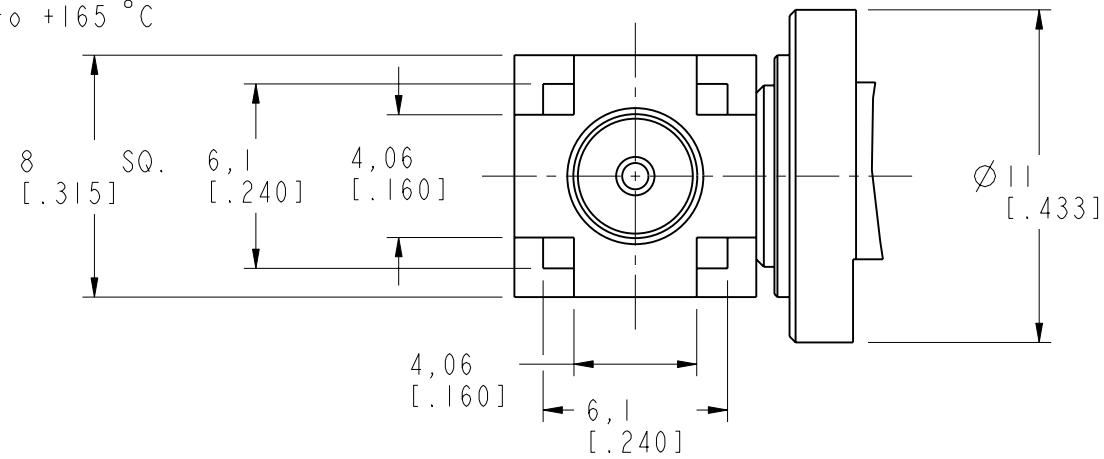
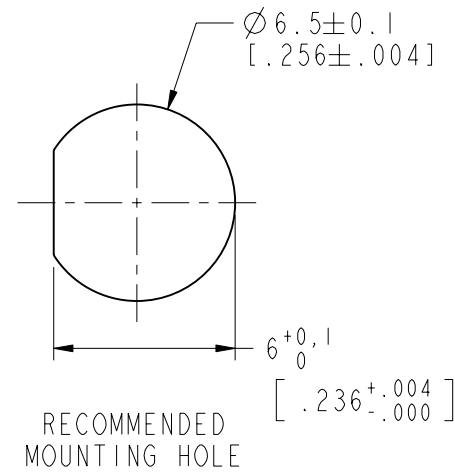
THIRD ANGLE PROJ.

REVISIONS

REV	DESCRIPTION	DATE	ECO	APPR
A	RELEASE TO MFG.	21-Jun-13		MZ
B	HOUSING WITH BODY WAS CHANGED /RD-DMI5051201S7	20-May-15	50459	SC



SCALE 2.000



CUSTOMER OUTLINE DRAWING

ALL OTHER SHEETS ARE FOR INTERNAL USE ONLY

UNLESS OTHERWISE SPECIFIED, DIMENSIONS ARE IN METRIC AND TOLERANCES ARE:
 < 0.5mm ± 0.05mm 0.5 - 6mm ± 0.1mm 6 - 30mm ± 0.2mm 30 - 120mm ± 0.3mm ANGLES ± 1°

NOTICE - These drawings, specifications, or other data (1) are, and remain the property of Amphenol corp. (2) must be returned upon request; and (3) are confidential and not to be disclosed to any person other than those to whom they are given by Amphenol Corp. the furnishing of these drawings, specifications, or other data by Amphenol Corp., or to any other person to anyone for any purpose is not to be regarded by implication or otherwise in any manner licensing, granting rights to permitting such holder or any other person to manufacture, use or sell any product, process or design, patented or otherwise, that may in any way be related to or disclosed by said drawings, specifications, or other data.

MATERIAL	DRAWN STAR	DATE 20-May-15	TITLE SMA R/A BULKHEADED P.C. MOUNT JACK, IP-67 COMPLIANT	Amphenol RF Danbury CT USA, Tainan, Taiwan, Shenzhen, China www.amphenolrf.com
REFERENCE	ENGINEER S.LI	DATE 21-Jun-13		
FINISH	APPROVED S.HSIEH	DATE 20-May-15	SCALE: 4.0:1.0	DRAWING NO. SMA6252A9-009-3GT50G-50
	CAD FILE I:\SMA\SMA6252A9-009-3GT50G-50		SHEET 2 OF 2	ITEM NO. 116252ADC01GA5F
			DWG SIZE B	PART NO. 132203-18
			REV B	