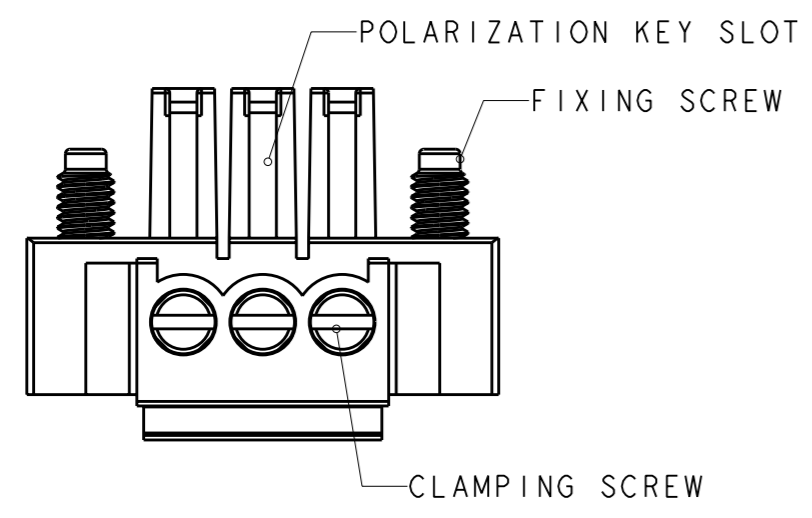
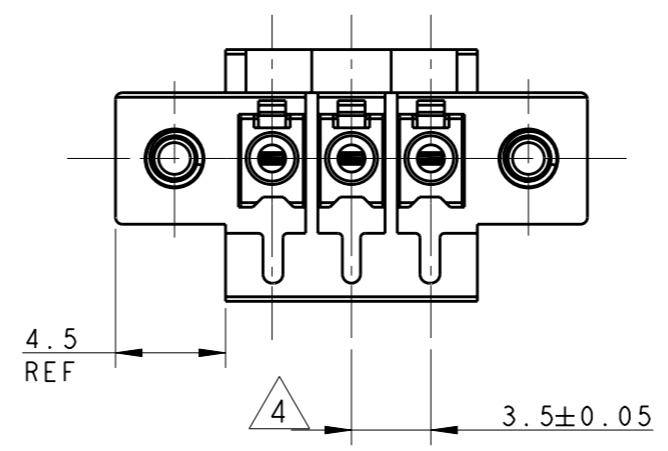
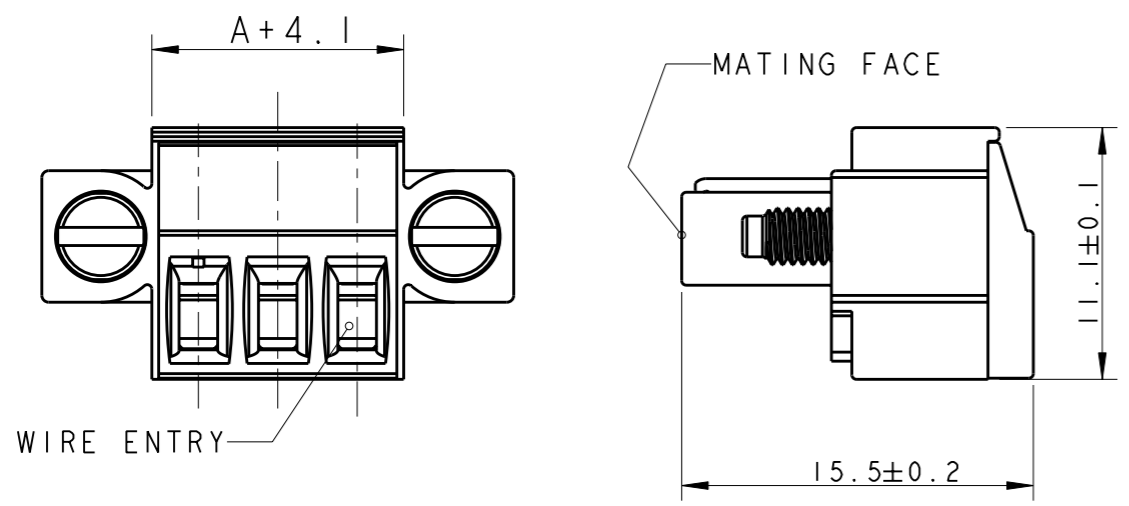


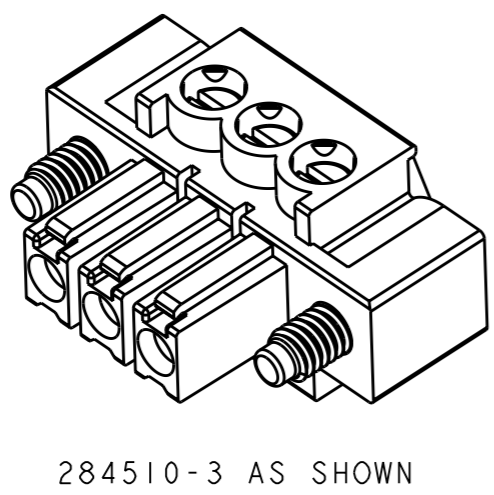
THIS DRAWING IS UNPUBLISHED. RELEASED FOR PUBLICATION 20
 © COPYRIGHT 20 BY TYCO ELECTRONICS CORPORATION. ALL RIGHTS RESERVED.

| LOC | DIST | REVISIONS | | | |
|-----|------|-------------|---------------------------|-----------|--------|
| P | LTR | DESCRIPTION | DATE | DWN | APVD |
| FT | 0 | B1 | REVISED PER ECO-11-005009 | 12MAR2011 | HMR CR |



- 1 MATERIALS AND FINISH
 HOUSING : PA 6.6, UL 94-V0, COLOR GREEN
 CLAMP : BRASS, NICKEL PLATED
 TERMINAL : BRASS, TIN PLATED
 CONTACT SPRING : PHOSPHOR BRONZE, TIN PLATED
 CLAMPING SCREW : M2, BRASS, NICKEL PLATED
- 2 FLANGES WITH M2.5 FIXING SCREWS
- 3 WIRE SIZE RANGE
 14 - 30 AWG
- 4 NOT CUMULATIVE TOLERANCE

| DIM A | NO OF POS | PART NUMBER |
|-------|-----------|-------------|
| 77.0 | 23 | 2-284510-3 |
| 73.5 | 22 | 2-284510-2 |
| 70.0 | 21 | 2-284510-1 |
| 66.5 | 20 | 2-284510-0 |
| 63.0 | 19 | 1-284510-9 |
| 59.5 | 18 | 1-284510-8 |
| 56.0 | 17 | 1-284510-7 |
| 52.5 | 16 | 1-284510-6 |
| 49.0 | 15 | 1-284510-5 |
| 45.5 | 14 | 1-284510-4 |
| 42.0 | 13 | 1-284510-3 |
| 38.5 | 12 | 1-284510-2 |
| 35.0 | 11 | 1-284510-1 |
| 31.5 | 10 | 1-284510-0 |
| 28.0 | 9 | 284510-9 |
| 24.5 | 8 | 284510-8 |
| 21.0 | 7 | 284510-7 |
| 17.5 | 6 | 284510-6 |
| 14.0 | 5 | 284510-5 |
| 10.5 | 4 | 284510-4 |
| 7.0 | 3 | 284510-3 |
| 3.5 | 2 | 284510-2 |



| | | | | | |
|--|--|--|--|--|--|
| <small>THIS DRAWING IS A CONTROLLED DOCUMENT FOR TYCO ELECTRONICS CORPORATION. IT IS SUBJECT TO CHANGE AND THE CONTROLLING ENGINEERING ORGANIZATION SHOULD BE CONTACTED FOR THE LATEST REVISION.</small> | | DWN 06FEB2002 E. ZANOLINI CHK 06FEB2002 E. ZANOLINI APVD 06FEB2002 D. BIEVENOUR | | Tyco Electronics Harrisburg, PA 17105-3608 | |
| DIMENSIONS: mm | | TOLERANCES UNLESS OTHERWISE SPECIFIED: 0 PLC ±. 1 PLC ±.3 2 PLC ±.25 3 PLC ±. 4 PLC ±. ANGLES ±. | | PRODUCT SPEC 108-20166 APPLICATION SPEC 114-20079 | |
| MATERIAL | | FINISH | | NAME TERMINAL BLOCK, PLUG WITH SCREW FLANGE 3.5mm PITCH | |
| | | WEIGHT - | | SIZE A3 CAGE CODE 00779 DRAWING NO C-284510 | |
| CUSTOMER DRAWING | | | | RESTRICTED TO - | |
| | | | | SCALE 3:1 SHEET 1 OF 1 REV B1 | |

Mouser Electronics

Authorized Distributor

Click to View Pricing, Inventory, Delivery & Lifecycle Information:

[TE Connectivity:](#)

[1-284510-4](#)