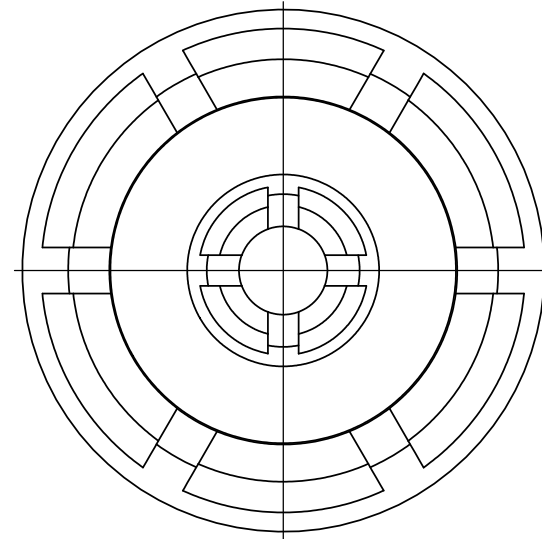
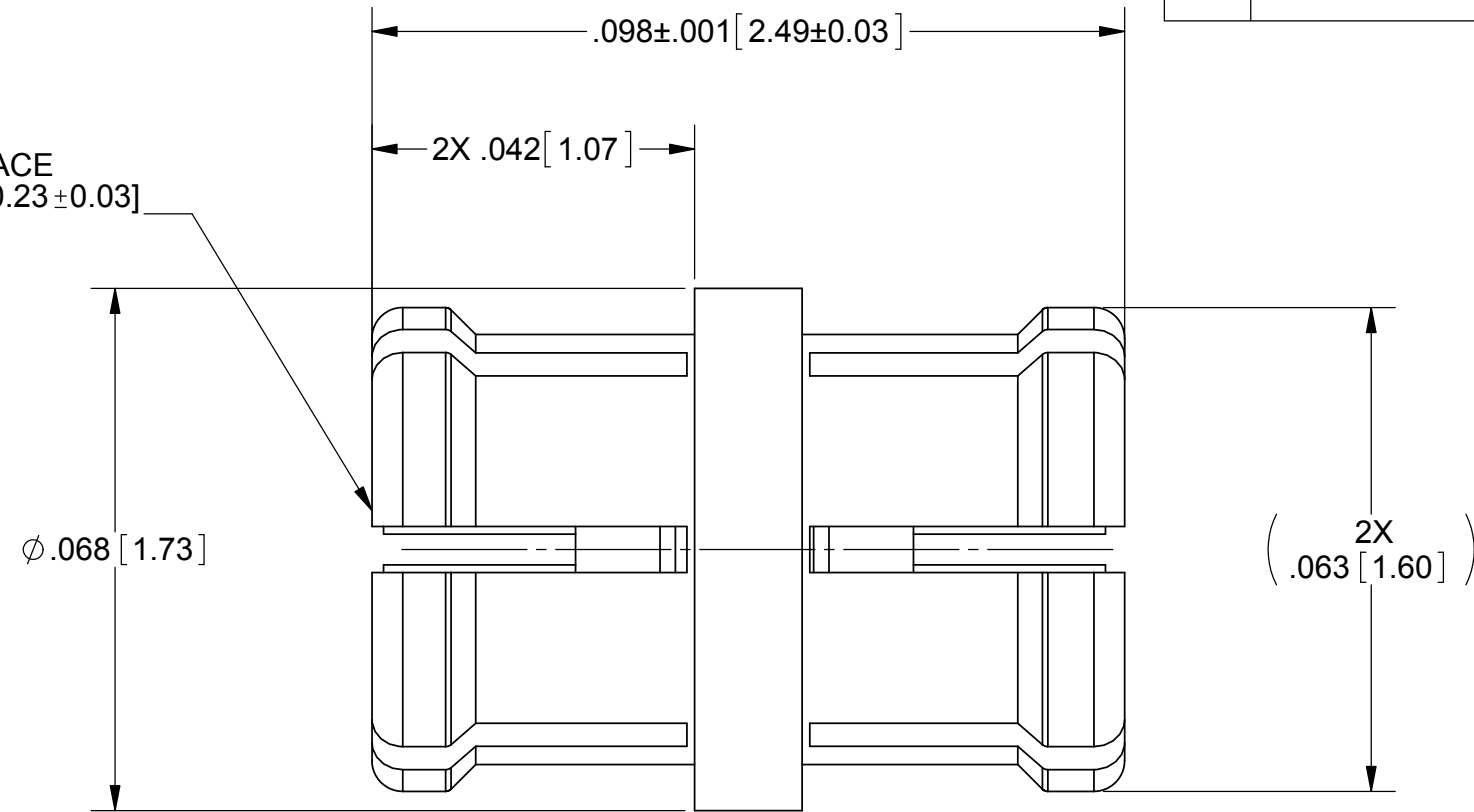


# PRODUCT DATA DRAWING

REVISION HISTORY			
REV	DESCRIPTION	DATE	APPROVED
-	REL. NRN 35512	09/17/09	STW
A	DCN 39509	11/12	STW



2X SMPS INTERFACE  
ACCEPTS  $\phi .009 \pm .001 [0.23 \pm 0.03]$   
MALE PIN



**MATERIAL:**  
BODY, &  
CONTACT: BERYLLIUM COPPER PER ASTM B196,  
ALLOY No. UNS C17300, TD04

**INSULATOR:** PTFE PER ASTM D1710, TYPE I, GRADE 1, CLASS B

**FINISH:**  
BODY &  
CONTACT: GOLD PER ASTM B 488, TYPE II, CODE C, CLASS 1.27,  
OVER NICKEL PER AMS-QQ-N-290, CLASS 1, .00005" MIN.

**PERFORMANCE:**  
IMPEDANCE: 50 OHMS  
VSWR: 1.15:1 DC TO 40 GHz TYPICAL  
1.25:1 TO 65 GHz TYPICAL

**INSERTION LOSS:** .12 X SQRT(F(F IN GHz))  
DWV: 250 VRMS

**OPERATING TEMP.:** -55°C TO +165°C

**ENGAGEMENT:** 3.5 LBS TYPICAL IN FULL DETENT  
1.6 LBS TYPICAL IN SMOOTH BORE

**DISENGAGEMENT:** 2.0 LBS TYPICAL IN FULL DETENT  
0.5 LBS TYPICAL IN SMOOTH BORE

MATERIAL: SEE NOTES	DIMENSIONS ARE IN INCHES TOLERANCES: FRACTIONAL: $\pm 1/64$ ANGULAR: X° $\pm 1'0''$ X*X' $\pm 15''$	UNLESS OTHERWISE SPECIFIED 1) ALL DIMENSIONS ARE IN INCHES (MILLIMETERS) 2) ALL DIMENSIONS ARE AFTER PLATING. 3) BREAK CORNERS & EDGES .005 R. MAX. 4) CHAM. 1ST & LAST THREADS. 5) SURFACE ROUGHNESS 63-MIL-STD-10. 6) DIA. 'S ON COMMON CENTERS TO BE CONCENTRIC WITHIN .005 T.I.R. 7) REMOVE ALL BURRS	<b>SV Microwave, Inc.</b> 2400 Centrepark West Drive, Suite 100 West Palm Beach, FL 33409
FINISH: SEE NOTES	DECIMAL: X $\pm .030$ .XX $\pm .010$ .XXX $\pm .005$	INTERPRET DIMENSIONS AND TOLERANCES PER ASME Y14.5M - 1994	TITLE: ADAPTOR SMPS FEMALE TO FEMALE
SURFACE AREA: N/A	THIRD ANGLE PROJECTION	DRAWN: JMC 08/10/09	SIZE: B CAGE CODE: 95077 DWG. NO. 1138-4001
PROPRIETARY THE INFORMATION CONTAINED IN THIS DRAWING IS THE SOLE PROPERTY OF SV MICROWAVE, INC. ANY REPRODUCTION IN PART OR AS A WHOLE WITHOUT THE WRITTEN PERMISSION OF SV MICROWAVE, INC IS PROHIBITED.		CHECKED: STW 09/17/09 APPROVED: STW 09/17/09	SCALE: 40:1 SHEET 1 OF 1

# Mouser Electronics

Authorized Distributor

Click to View Pricing, Inventory, Delivery & Lifecycle Information:

[Amphenol:](#)

[1138-4001](#)