

## MSTB 2,5/ 9-GF-5,08 BK


Order No.: 1805149

The figure shows a 10-pos. version of the product in green

<http://eshop.phoenixcontact.de/phoenix/treeViewClick.do?UID=1805149>

Header, Nominal current: 12 A, Rated voltage (III/2): 320 V, Number of positions: 9, Pitch: 5.08 mm, Color: Black, Assembly: Soldering

### Commercial data

GTIN (EAN)	 4 017918 937980
Note	Made-to-order
sales group	E110
Pack	50 pcs.
Customs tariff	85366990

### Product notes

WEEE/RoHS-compliant since:  
01/01/2003

<http://www.download.phoenixcontact.com>  
Please note that the data given here has been taken from the online catalog. For comprehensive information and data, please refer to the user documentation. The General Terms and Conditions of Use apply to Internet downloads.

### Certificates / Approvals



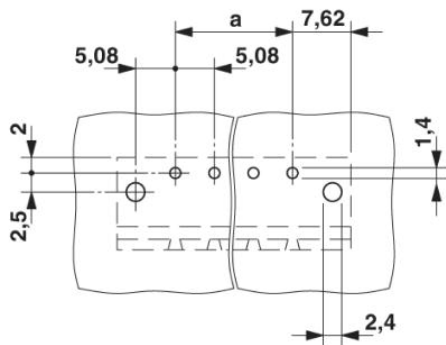
Certification

CB, CSA, CUL, GL, RS, UL, VDE-PZI

## Diagrams/Drawings

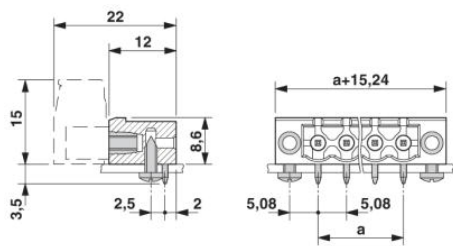
Drilling plan/solder pad geometry

---



Dimensioned drawing

---



**Address**

PHOENIX CONTACT Inc., USA  
586 Fulling Mill Road  
Middletown, PA 17057, USA  
Phone (800) 888-7388  
Fax (717) 944-1625  
<http://www.phoenixcon.com>



© 2011 Phoenix Contact  
Technical modifications reserved;