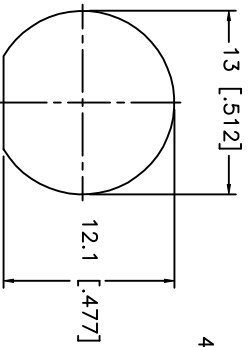
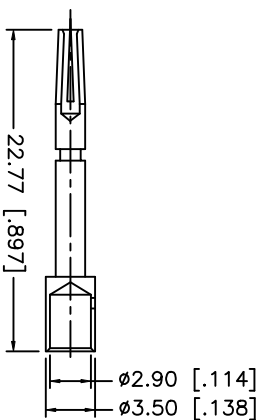
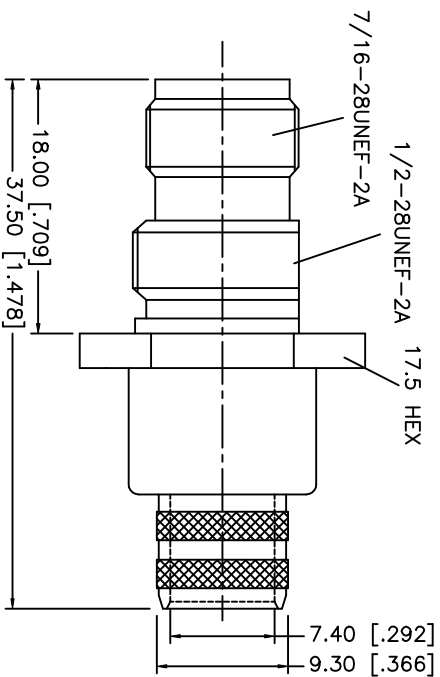
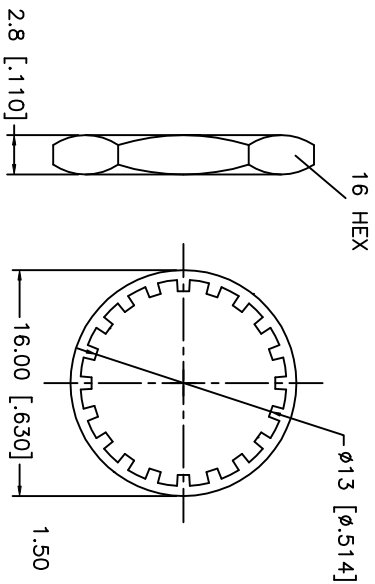
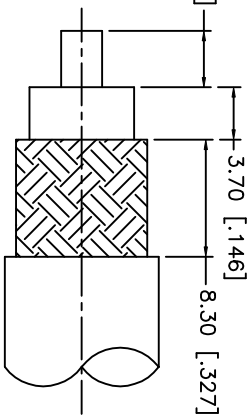


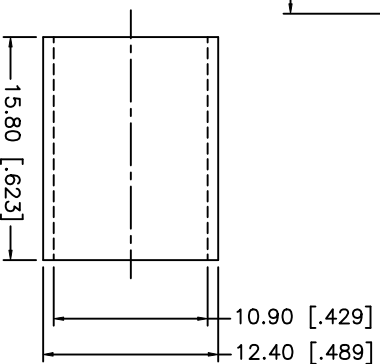
REV.	DATE	DESCRIPTION
NC	05/06/02	INITIAL RELEASE



RECOMMENDED
MOUNTING HOLE



RECOMMENDED
CABLE STRIPPING DIM'S



CRIMP NOTES:

1. CRIMPED FERRULE
HEX CRIMP SIZE .429"
2. CRIMPED CONTACT PIN
HEX CRIMP SIZE .118"

8	FERRULE	BRASS	NICKEL	UNLESS OTHERWISE SPECIFIED DIMENSIONS ARE IN MILLIMETERS DIMENSIONS IN [] ARE IN INCHES FOR CUSTOMER REFERENCE ONLY	APPROVALS	DATE	TITLE	TNC BULKHEAD CRIMP JACK (FOR BELDEN 8214, 9913, 9914)	SCALE	NA	PART NO.	122405	SHEET	1 OF 1	REV.
7	CONTACT PIN	PHOS. BRONZE	GOLD												
6	HEX NUT	BRASS	NICKEL												
5	LOCK WASHER	BRASS	NICKEL												
4	GASKET	RUBBER	RED												
3	BARREL	BRASS	NICKEL												
2	INSULATOR	TEFLON	NATURAL												
1	BODY	BRASS	NICKEL												
DESCRIPTION				MATERIAL	FINISH	DO NOT SCALE DRAWING									

Amphenol - Connex
CONNECTOR CORPORATION

TNC BULKHEAD CRIMP JACK
(FOR BELDEN 8214, 9913, 9914)

SIZE A
FSCAL NO. 99001
DWC NO. 122405.DWG

REV. NC