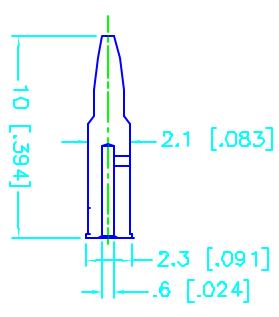
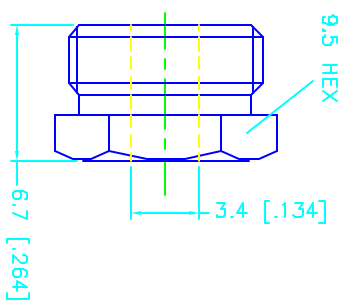
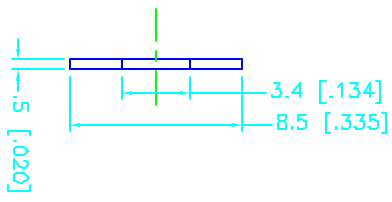
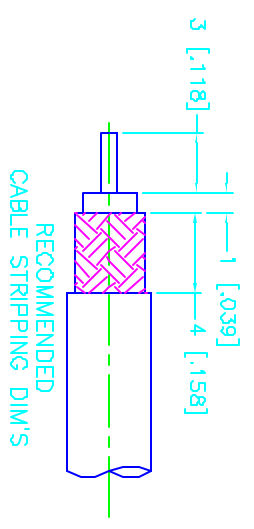
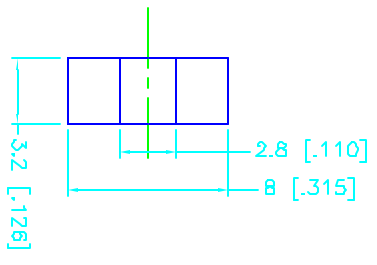
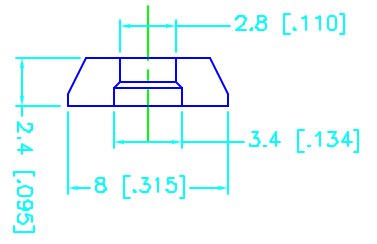
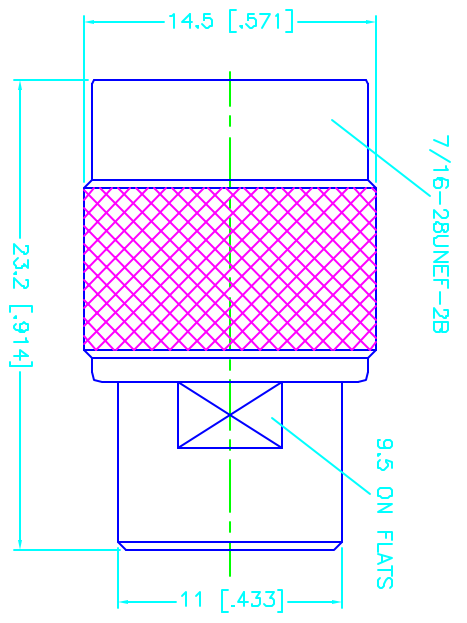


REV.	DATE	DESCRIPTION
NC	12/10/97	INITIAL RELEASE



DESCRIPTION	MATERIAL	FINISH	UNLESS OTHERWISE SPECIFIED DIMENSIONS IN [] ARE IN MILLIMETERS FOR CUSTOMER REFERENCE ONLY	APPROVALS	DATE	TITLE	SCALE	PART NO.	SHEET	REV.
1 BODY	BRASS	NICKEL	UNLESS OTHERWISE SPECIFIED DIMENSIONS IN [] ARE IN MILLIMETERS FOR CUSTOMER REFERENCE ONLY UNLESS OTHERWISE SPECIFIED TOLERANCES FOR MILLIMETERS ARE: 0.5-6 = ± 0.2 6-30 = ± 0.4 30-120 = ± 0.6 120-315 = ± 1 315-1000 = ± 1.6 1000-2000 = ± 2.4	DRAWN	12/10/97	TNC CLAMP PLUG RG174, 316 CABLE Connector Corporation 	A	99001	1	NC
2 INSULATOR	DELRIN	NATURAL		CHECKED						
3 TOP HAT	BRASS	NICKEL		ISSUED						
4 GASKET	SILICONE	RED								
5 WASHER	BRASS	NICKEL								
6 HEX NUT	BRASS	NICKEL								
7 CONTACT PIN	BRASS	GOLD								
8				DO NOT SCALE DRAWING						