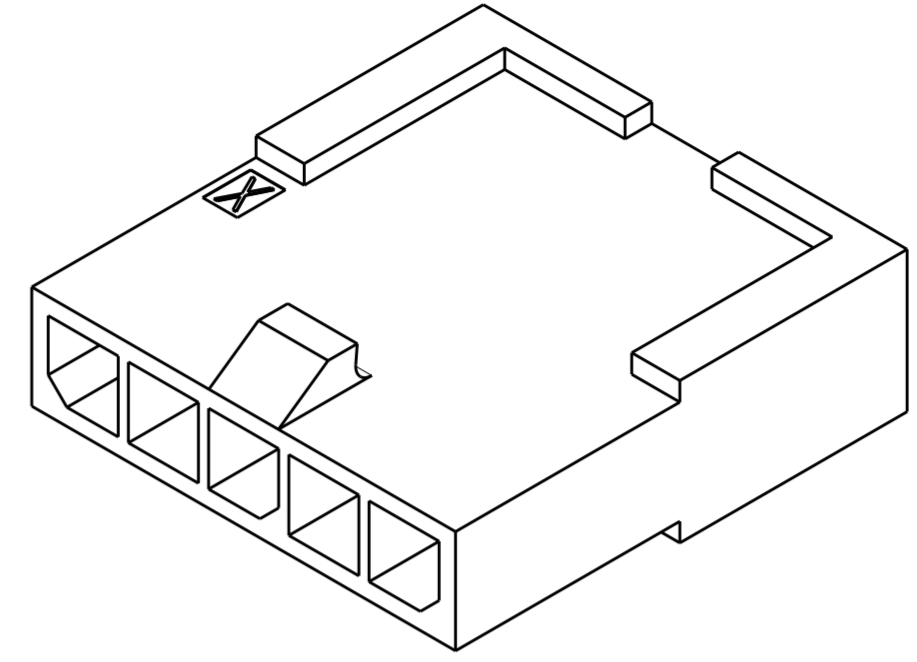
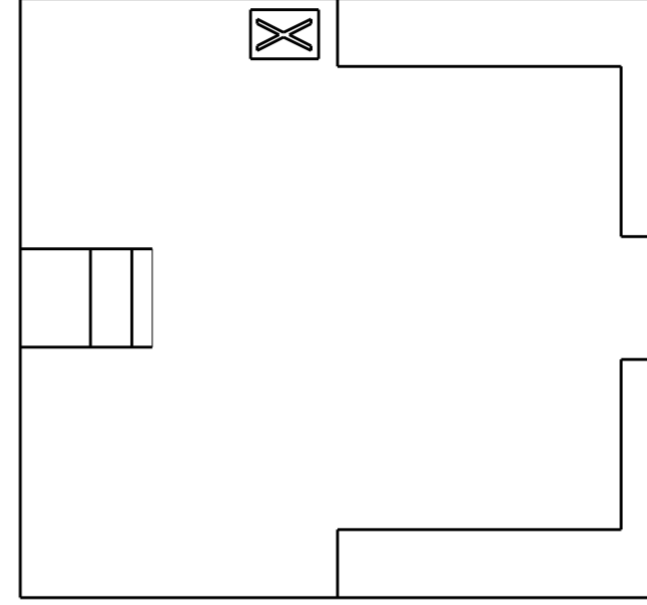


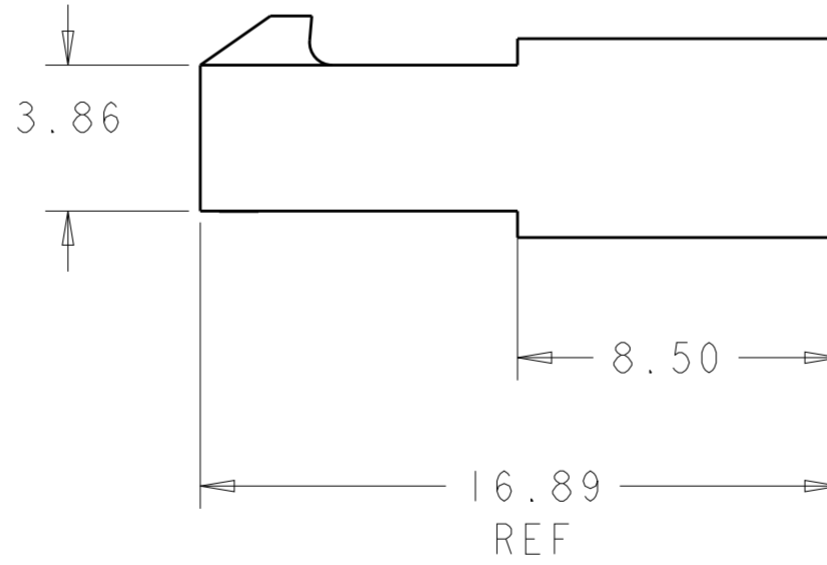
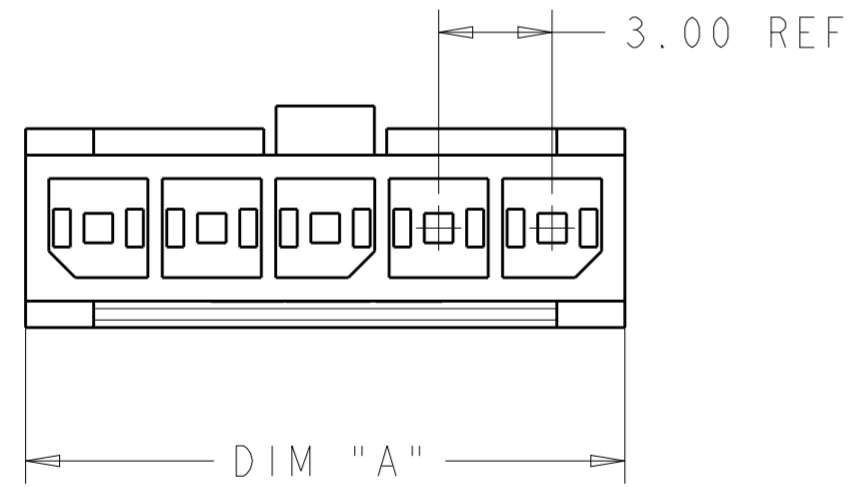
THIS DRAWING IS UNPUBLISHED. RELEASED FOR PUBLICATION 20
 © COPYRIGHT 20 ALL RIGHTS RESERVED.

| LOC | DIST | REVISIONS | | | | | |
|-----|------|-----------|-----|---------------------------|-----------|-----|------|
| CM | 00 | P | LTR | DESCRIPTION | DATE | DWN | APVD |
| | | P2 | | REVISED PER ECR-16-013672 | 14OCT2016 | BW | SC |
| | | | | | | | |
| | | | | | | | |

1 MATERIAL NYLON66/6 V0 UL94
 2 MATERIAL PA66 V0 GW UL94.



SCALE 5:1



| | | | | |
|---|--------|-------|-------------|-------------|
| 2 | 12.85 | 4 | 2-1445049-4 | |
| | 9.85 | 3 | 2-1445049-3 | |
| | 6.85 | 2 | 2-1445049-2 | |
| | 36.85 | 12 | 1-1445049-2 | |
| 1 | 33.85 | 11 | 1-1445049-1 | |
| | 30.85 | 10 | 1-1445049-0 | |
| | 27.85 | 9 | 1445049-9 | |
| | 24.85 | 8 | 1445049-8 | |
| | 21.85 | 7 | 1445049-7 | |
| | 18.85 | 6 | 1445049-6 | |
| | 15.85 | 5 | 1445049-5 | |
| | 12.85 | 4 | 1445049-4 | |
| | 9.85 | 3 | 1445049-3 | |
| | 6.85 | 2 | 1445049-2 | |
| | REMARK | DIM A | NO. OF POS. | PART NUMBER |

| | | | | | |
|---|--|--|---|-----------------|--------------------|
| THIS DRAWING IS A CONTROLLED DOCUMENT. | | DWN W J RUDY 29AUG2000 | TE Connectivity | | |
| DIMENSIONS: | | CHK W DAVIS 29AUG2000 | | | |
| TOLERANCES UNLESS OTHERWISE SPECIFIED: | | APVD W DAVIS 29AUG2000 | | | |
| mm | | PRODUCT SPEC | | | |
| 0 PLC ± 1 PLC ± 2 PLC ±0.13 3 PLC ± 4 PLC ± ANGLES ± FINISH | | NAME 108-1836 APPLICATION SPEC 114-13000 WEIGHT - | PLUG HOUSING, 2 TO 12 POSITION, SINGLE ROW, FREE HANGING, MICRO MATE-N-LOK™ | | |
| MATERIAL NYLON, BLACK UL94V-0 | | SIZE A200779 | CAGE CODE C-1445049 | DRAWING NO - | RESTRICTED TO - |
| CUSTOMER DRAWING | | SCALE 5:1 | SHEET 1 OF 1 | REV P2 | |

Mouser Electronics

Authorized Distributor

Click to View Pricing, Inventory, Delivery & Lifecycle Information:

[TE Connectivity:](#)

[1-1445049-2](#)