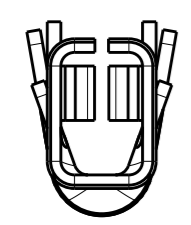
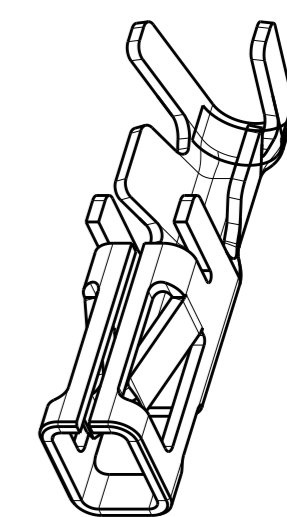
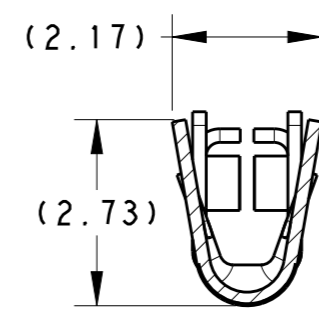
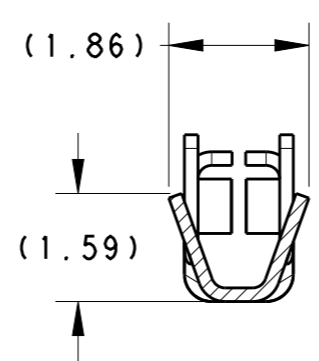
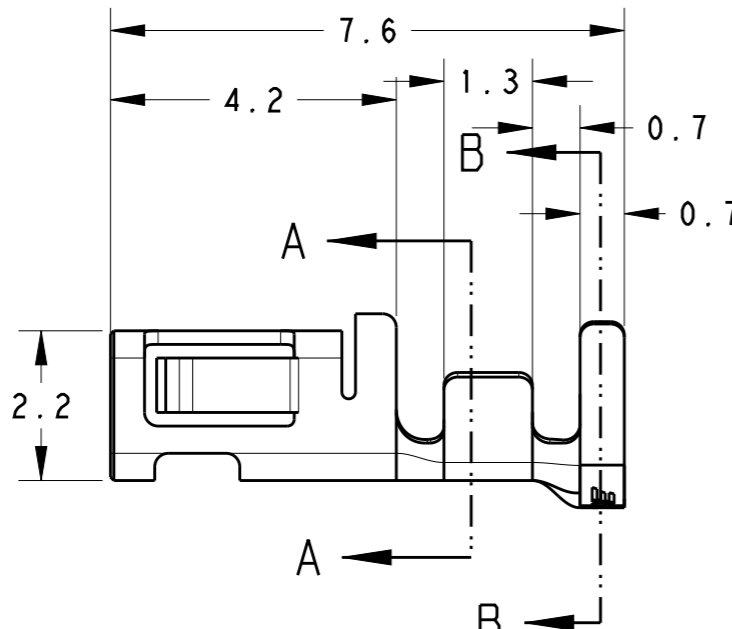
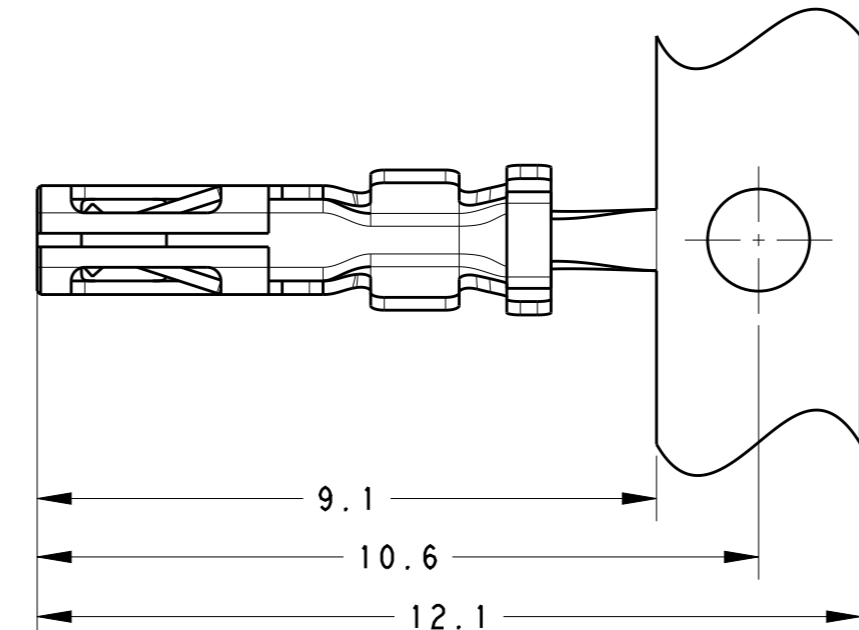
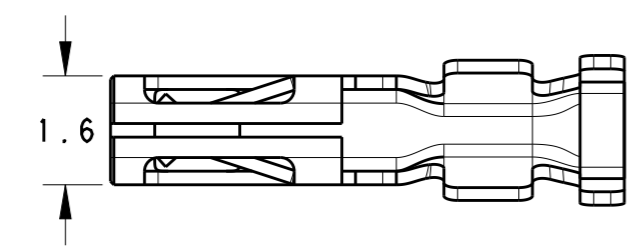


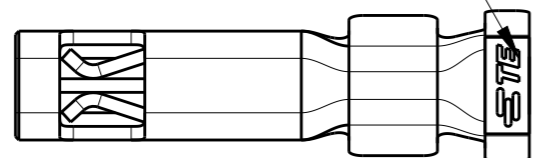
THIS DRAWING IS UNPUBLISHED. RELEASED FOR PUBLICATION
 © COPYRIGHT - BY - TE CONNECTIVITY ALL RIGHTS RESERVED.

LOC	DIST	REVISIONS			
P	LTR	DESCRIPTION	DATE	DWN	APVD
-	-	A3	REVISED PER ECR-16-012640	28SEP2016	O.C D.Z




1. APPLICABLE PLUG HOUSING P/N: X-1971793-X

TRADE MARK



AWG#22~#28 0.079~0.38MM^2	1.08~1.50	PRE-TIN COPPER ALLOY	7	1971795-1
WIRE RANGE	INSULATION DIA	MATERIAL	APPL FEED	PART NO.

THIS DRAWING IS A CONTROLLED DOCUMENT.		DWN FEB 21, 2012 HAI JUN ZHANG	 TE Connectivity	
DIMENSIONS: mm		CHK FEB 21, 2012 HAI JUN ZHANG		
TOLERANCES UNLESS OTHERWISE SPECIFIED:		APVD FEB 23, 2012 ERIC KONG	NAME RECEPTACLE CONTACT, 2.5 PITCH NEXT GENERATION GI CONNECTOR	
0 PLC ±- 1 PLC ±0.3 2 PLC ±0.1 3 PLC ±- 4 PLC ±- ANGLES ±- FINISH -		PRODUCT SPEC 108-106077	RESTRICTED TO	
MATERIAL SEE TABLE		APPLICATION SPEC 114-106077	SIZE A3	CAGE CODE -
		WEIGHT 0.056g	DRAWING NO C-1971795	
		CUSTOMER DRAWING	SCALE /	SHEET 1 OF 1 REV A3

Mouser Electronics

Authorized Distributor

Click to View Pricing, Inventory, Delivery & Lifecycle Information:

[TE Connectivity:](#)

[1971795-1](#) [1971795-1 \(Mouser Reel\)](#) [1971795-1 \(Cut Strip\)](#)