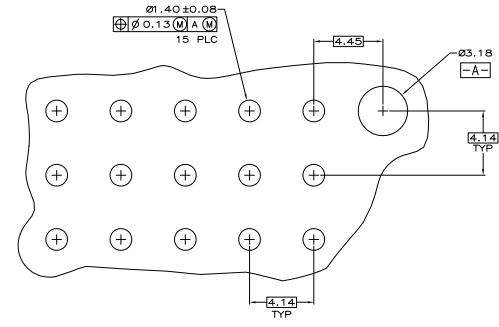
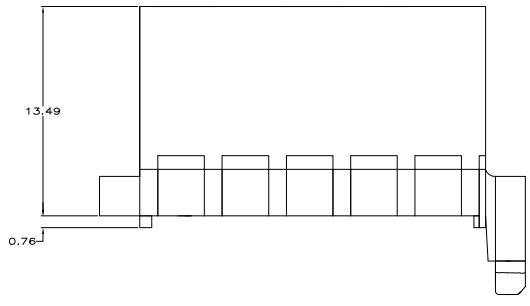
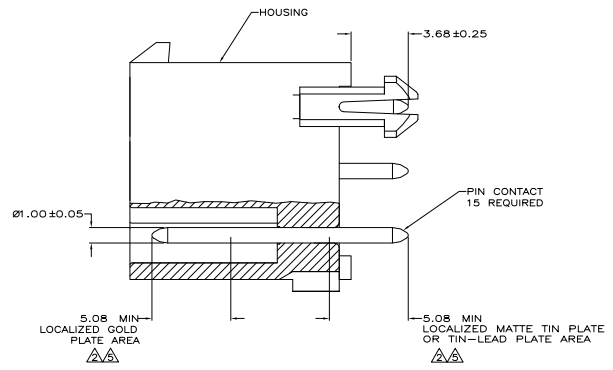
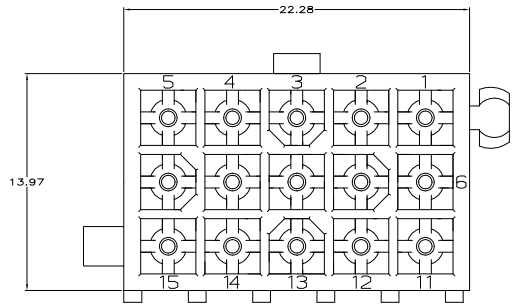


THIS DRAWING IS UNPUBLISHED. REPRODUCED FOR INFORMATION.
 © 1978 BY THE ELECTRONICS CORPORATION. ALL RIGHTS RESERVED.

| REV | DATE | DESCRIPTION | BY | CHK | APP |
|------|------|---------------------------|--------|-----|-----|
| CM 0 | | | | | |
| H1 | | REVISED PER EDO-07-007242 | DMPROT | KW | CJ |

- PINS TO COMPLY WITH AMP SOLDERABILITY SPEC 109-11-3.
- 0.00076 MIN GOLD PLATE IN THE LOCALIZED PLATE AREA, 0.00381 MATTE TIN LEAD IN THE LOCALIZED PLATE AREA, BOTH OVER 0.00127 MIN NICKEL.
- 0.00381 MIN MATTE TIN LEAD OVER 0.00127 MIN NICKEL.
- 0.00381 MIN MATTE TIN OVER 0.00127 MIN NICKEL.
- 0.00076 MIN GOLD PLATE IN THE LOCALIZED PLATE AREA, 0.00381 MATTE TIN IN THE LOCALIZED PLATE AREA, BOTH OVER 0.00127 MIN NICKEL.



RECOMMENDED MOUNTING HOLE PATTERN FOR 1.57 THICK P.C. BOARD

| MATERIAL | FINISH | MATERIAL | COLOR | PART NO. |
|-----------------|--------|----------------|-------|------------|
| BRASS, GOLD | △ | NYLON, UL94V-0 | WHITE | 1-770859-1 |
| BRASS, TIN | △ | NYLON, UL94V-0 | WHITE | 1-770859-0 |
| BRASS, GOLD | △ | NYLON, UL94V-0 | WHITE | 770859-2 |
| BRASS, TIN-LEAD | △ | NYLON, UL94V-0 | WHITE | 770859-1 |

| THIS DRAWING IS A CONTROLLED DOCUMENT. | | DESIGNED BY | REVISIONS | DATE | BY | CHK | APP |
|--|----|-------------|-----------|------|-----|-------|--------|
| DATE | BY | DATE | BY | DATE | BY | DATE | BY |
| | | | | | | | |
| CUSTOMER DRAWING | | A100779 | | SIZE | 8.1 | SHEET | 1 OF 1 |

