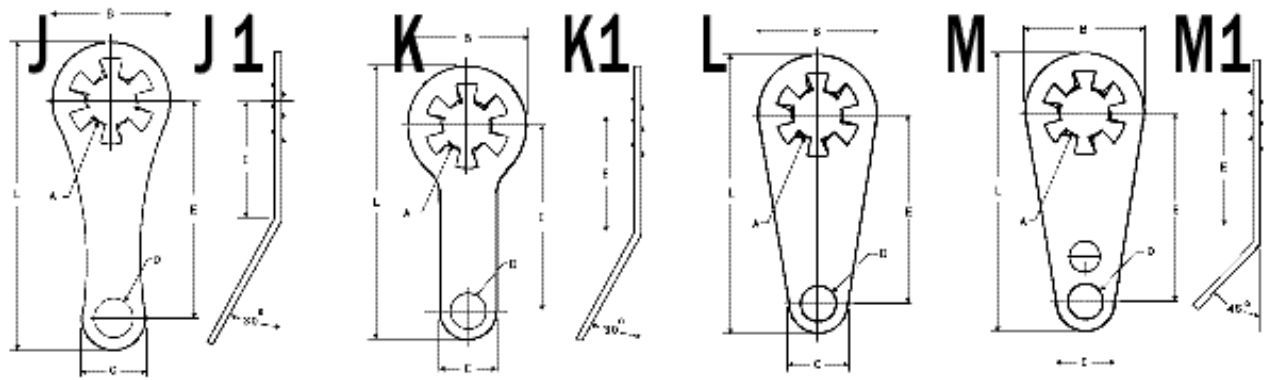


Internal Tooth Solder Lugs



| PART NO. | ILLUS | STUD SIZE | LENGTH | THKNS. | O.D. | WIDTH | HOLE | CNTR | |
|----------|-------|-----------|--------|--------|-------|-------|-------|-------|------|
| | | A | L | | B | C | D | E | |
| 1410-4 | J | #4 | 7/8 | .018 | 5/16 | 11/64 | 3/32 | 5/8 | |
| 1410-6 | J | #6 | | .018 | 5/16 | 11/64 | | 5/8 | |
| 1410-8 | J | #8 | | .018 | 5/16 | 11/64 | | 5/8 | |
| 1410-10 | J | #10 | 57/64 | .018 | 11/32 | 11/64 | | 5/8 | |
| 1410-14 | J | 1/4 | 13/16 | .018 | 7/16 | 3/16 | | 1/2 | |
| 1414-4 | J1 | #4 | | .018 | 5/16 | 11/64 | | 17/64 | |
| 1414-6 | J1 | #6 | | .018 | 5/16 | 11/64 | | 17/64 | |
| 1414-8 | J1 | #8 | | .018 | 5/16 | 11/64 | | 17/64 | |
| 1414-10 | J1 | #10 | 53/64 | .018 | 11/32 | 11/64 | | 17/64 | |
| 1411-4 | K | #4 | 47/64 | .018 | 5/16 | 5/32 | | 17/32 | |
| 1411-6 | K | #6 | | .018 | | 5/32 | 17/32 | | |
| 1411-8 | K | #8 | | .018 | | 5/32 | 17/32 | | |
| 1415-4 | K1 | #4 | 23/32 | .018 | | 5/32 | 7/32 | | |
| 1415-6 | K1 | #6 | | .018 | | 5/32 | 7/32 | | |
| 1415-8 | K1 | #8 | | .018 | | 5/32 | 7/32 | | |
| 1412-4 | L | #4 | 5/8 | .018 | | 5/16 | 3/16 | 3/8 | |
| 1412-4 | L | #6 | | .018 | | | | 3/8 | |
| 1412-8 | L | #8 | | .018 | | | | 3/8 | |
| 1413-4 | M | #4 | 23/32 | .018 | | | | 5/16 | 3/16 |
| 1413-6 | M | #6 | | .018 | 15/32 | | | | |
| 1413-8 | M | #8 | | .018 | 15/32 | | | | |
| 1416-4 | M1 | #4 | 41/64 | .018 | 5/16 | 3/16 | 1/4 | | |
| 1416-6 | M1 | #6 | | .018 | | | | | |
| 1416-8 | M1 | #8 | | .018 | | | | | |

- [Home](#)
- [About](#)
- [Abbatron](#)
- [Products](#)
- [Locate Distributor](#)
- [or Representative](#)
- [Contact Us](#)
- [Request Information](#)
- [Site Map](#)

Inventory Search

Cross Reference

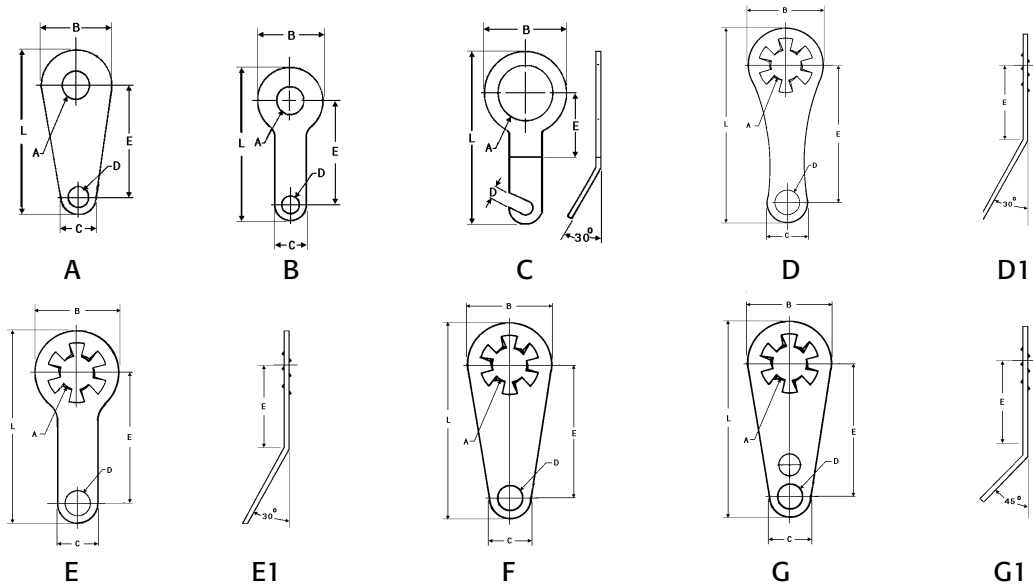
UPS Tracking

632 Arch Street, POB
726 Meadville, PA
16335 USA
814-724-6440
[Contact Webmaster](#)

© 2006

[home](#) | [about abbatron](#) | [products](#) | [locate distributor or representative](#) | [contact us](#) | [request information](#) | [site map](#)

Solder Lugs



- Made of brass material.
- Tin finish
- Bent lugs have the same configuration as the flat lug shown in the adjacent drawing, with the bend details as shown.

| PART NO. | ILLUS | STUD SIZE | LENGTH | THKNS. | O.D. | WIDTH | HOLE | CNTR |
|----------|-------|-----------|--------|--------|-------|-------|------|-------|
| | | A | L | | B | C | D | E |
| 1485-6 | A | #6 | 9/16 | .010 | 9/16 | 3/16 | 1/16 | 5/16 |
| 1485-8 | | #8 | | | | | | |
| 1485-10 | | #10 | | | | | | |
| 1497 | | 3/8 | 25/64 | .016 | 7/8 | 7/32 | 5/64 | 1/2 |
| 1488-4 | B | #4 | 9/16 | .010 | 1/4 | 5/32 | 1/16 | 23/64 |
| 1488-6 | | #6 | | | | | | |
| 1488-8 | | #8 | | | | | | |
| 1496 | C | 1/4 | 25/32 | .020 | 3/8 | 5/32 | 1/16 | 19/64 |
| 1410-4 | D | #4 | 7/8 | .018 | 5/16 | 11/64 | 3/32 | 5/8 |
| 1410-6 | | #6 | | | | | | |
| 1410-8 | | #8 | | | | | | |
| 1410-10 | | #10 | | | | | | |
| 1410-14 | | 1/4 | 57/64 | | 11/32 | 3/16 | | 1/2 |
| 1414-4 | D1 | #4 | 13/16 | .018 | 5/16 | 11/64 | 3/32 | 17/64 |
| 1414-6 | | #6 | | | | | | |
| 1414-8 | | #8 | | | | | | |
| 1414-10 | | #10 | | | | | | |
| 1411-4 | E | #4 | 47/64 | .018 | 5/32 | 3/32 | 3/32 | 17/32 |
| 1411-6 | | #6 | | | | | | |
| 1411-8 | | #8 | | | | | | |
| 1415-4 | E1 | #4 | 23/32 | .018 | 5/32 | 3/32 | 3/32 | 7/32 |
| 1415-6 | | #6 | | | | | | |
| 1415-8 | | #8 | | | | | | |
| 1412-4 | F | #4 | 5/8 | .018 | 5/16 | 3/16 | 3/32 | 3/8 |
| 1412-6 | | #6 | | | | | | |
| 1412-8 | | #8 | | | | | | |
| 1413-4 | G | #4 | 23/32 | .018 | 5/16 | 3/16 | 3/32 | 15/32 |
| 1413-6 | | #6 | | | | | | |
| 1413-8 | | #8 | | | | | | |
| 1416-4 | G1 | #4 | 41/64 | .018 | 5/16 | 3/16 | 3/32 | 1/4 |
| 1416-6 | | #6 | | | | | | |
| 1416-8 | | #8 | | | | | | |

Solder Lugs