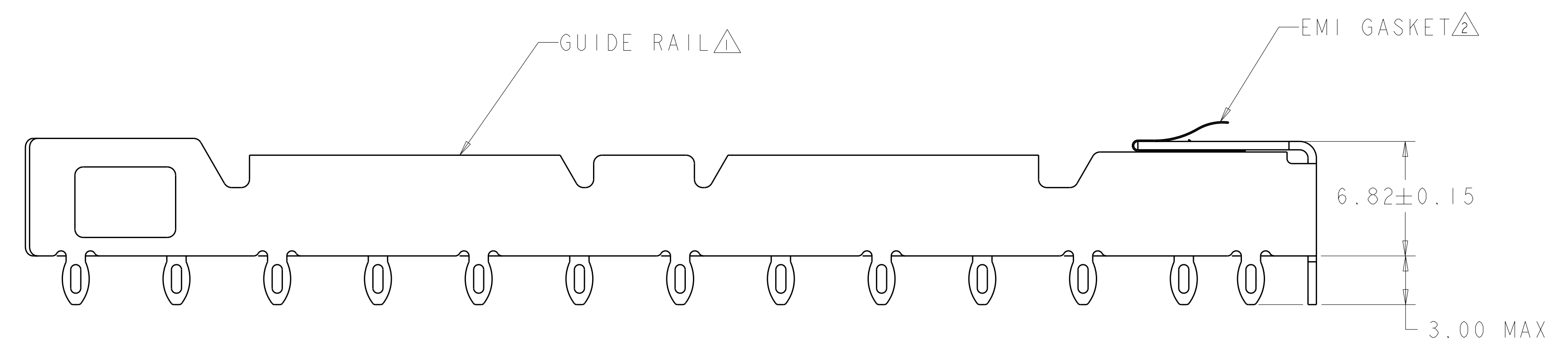
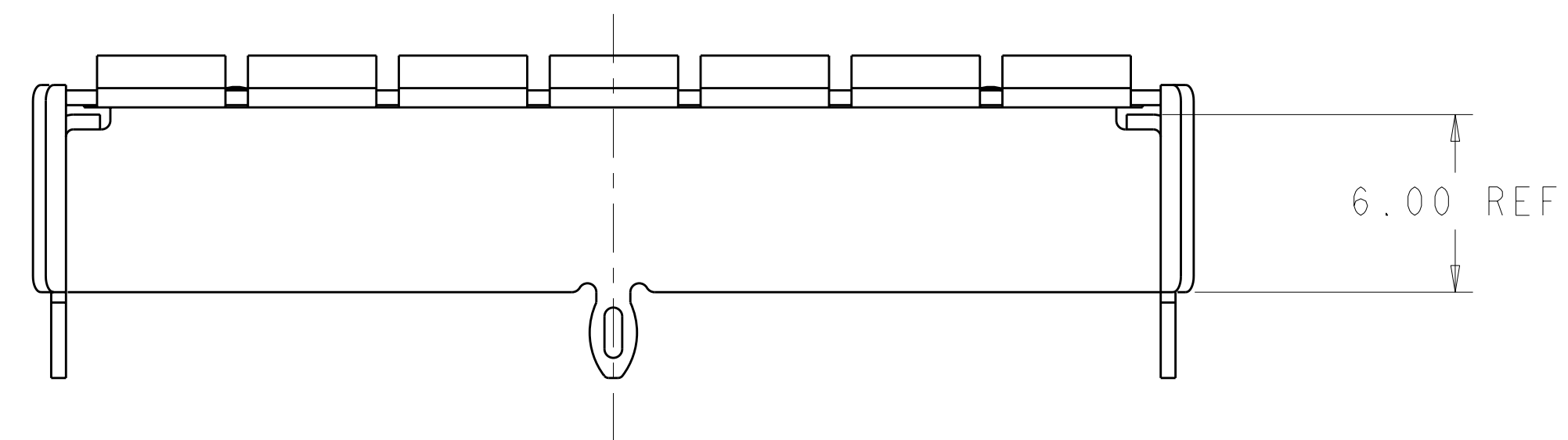
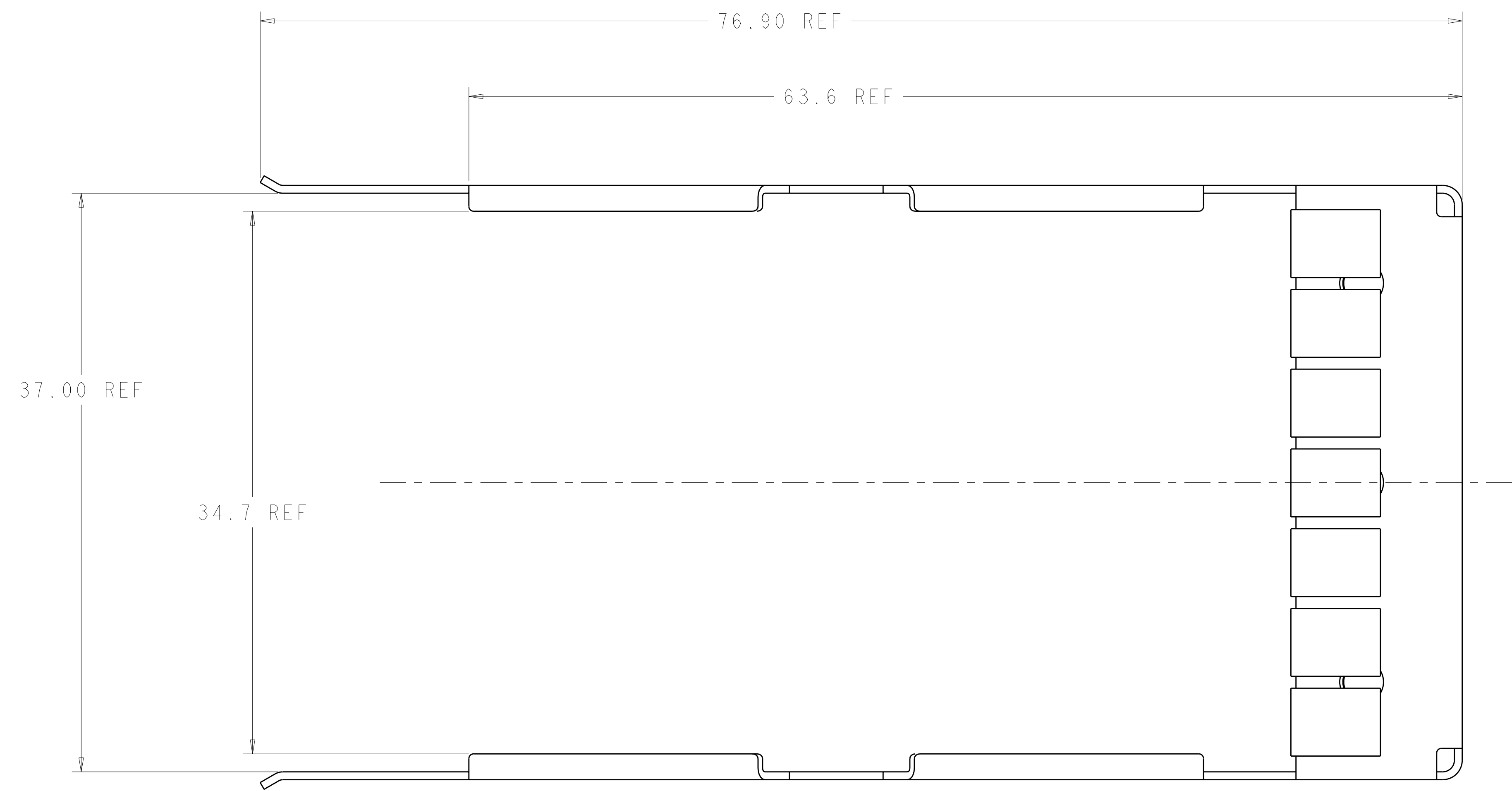


LOC	DIST	REV	DATE	BY	CHK	APPV
AG	00					

REV	DATE	DESCRIPTION	DATE	BY	CHK	APPV
5	11JUL2006	Ø 1.55 ± 0.02 WAS Ø 1.45 ± 0.02				
A	11APR07	RELEASED PER ECO-07-007698				

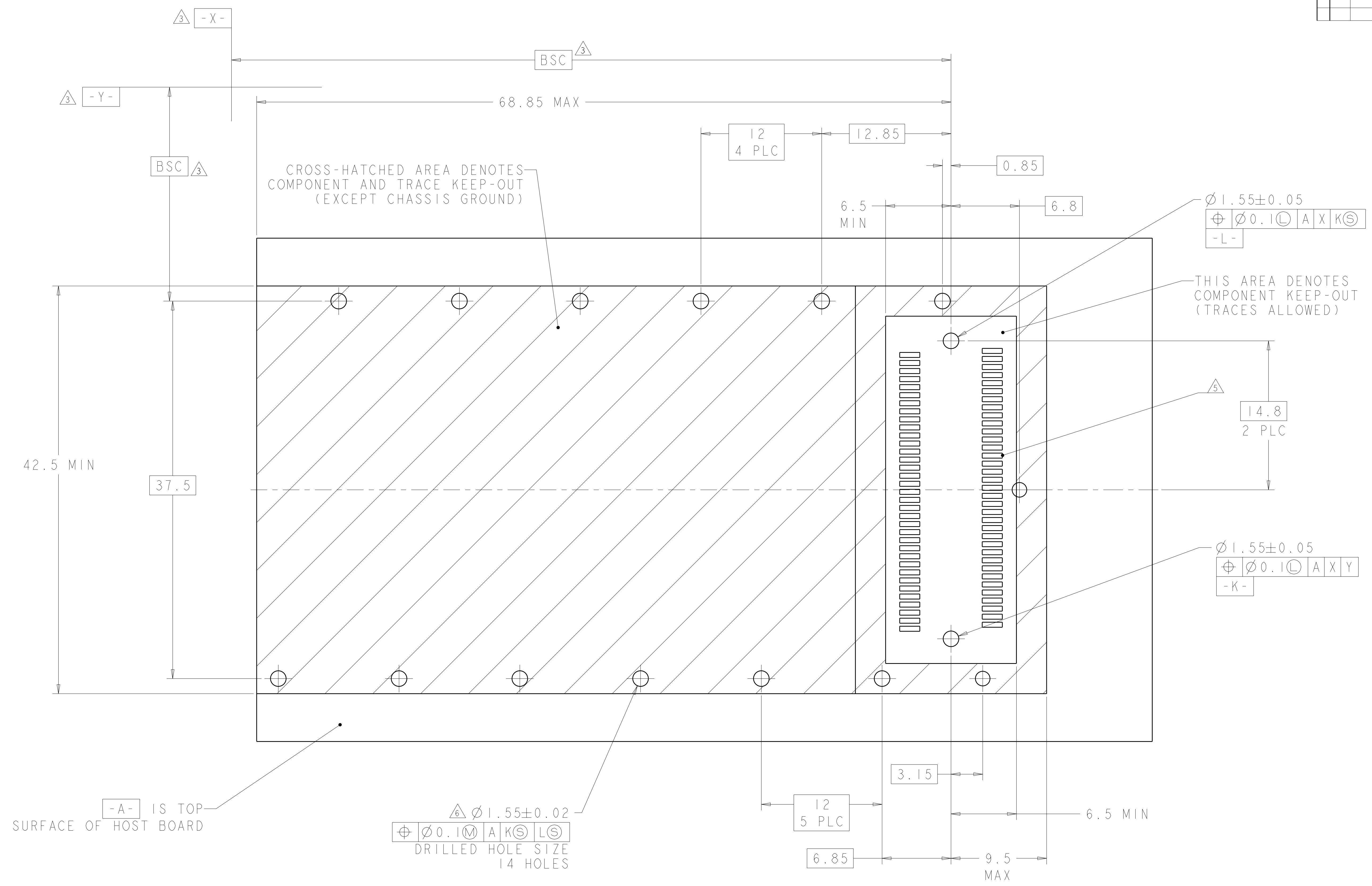
- 1. GUIDE RAIL MATERIAL: COPPER ALLOY
 GUIDE RAIL FINISH: 0.4 MICROMETERS MIN THK TIN COATING
- 2. EMI GASKET MATERIAL: COPPER ALLOY
 EMI GASKET PLATING: 2 MICROMETERS MIN THK TIN PLATE
- 3. DATUMS X AND Y AND BSC DIMENSIONS TO BE ESTABLISHED BY CUSTOMER
- 4. DESIGN ACCEPTS MODULES THAT ARE COMPLIANT WITH X2 SPECIFICATION REV 2.0b
- 5. SEE CUSTOMER DRAWING 1367337-1 FOR CONNECTOR PAD DIMENSIONS
- 6. RECOMMENDATION FOR P.C. BOARD HOLES:
 COPPER UNDERPLATE, 25-50 MICROMETERS THICK, FOLLOWED BY ANY OF THESE SURFACE FINISHES:
 - A. HASL SnPb: 35 MICROMETERS MAX THK
 - B. GALVANIC Au: 4-5 MICROMETERS Ni + 0.1-0.5 MICROMETERS Au
 - C. OSP: 0.2-0.5 MICROMETERS THK
 - D. IMMERSION Sn: 0.5 MICROMETERS MIN THK
 - E. IMMERSION Au: 4-5 MICROMETERS Ni + 0.1-0.5 MICROMETERS Au
 - F. IMMERSION Ag: 0.1-0.3 MICROMETERS
- 7. BARE EDGES PERMITTED
- 8. BEZEL REQUIREMENTS PER X2 MSA
- 9. REFERENCE INSTRUCTION SHEET 408-8997 FOR ADDITIONAL INFORMATION.



1367610-1
 PART NUMBER

DIMENSIONS: mm 		TOLERANCES UNLESS OTHERWISE SPECIFIED: 0 PLC ±0.5 1 PLC ±0.2 2 PLC ±0.1 3 PLC ± 4 PLC ± ANGLES ± FINISH ±		DWN P. KERLIN 20APR2004 CHK E. BRIGHT 20APR2004 APVD E. BRIGHT 20APR2004 NAME PRODUCT SPEC APPLICATION SPEC WEIGHT CUSTOMER DRAWING		Tyco Electronics Harrisburg, PA 17105-3608 RAIL ASSY, GUIDE, X2, BEZEL MOUNT SIZE CAGE CODE DRAWING NO A 00779 C-1367610 SCALE 5:1 SHEET 1 OF 2 REV A	
-----------------------	--	--	--	--	--	--	--

LOC	DIST	REV	DATE	BY	APPD
AG	00				



RECOMMENDED P.C. BOARD LAYOUT

DIMENSIONS:		TOLERANCES UNLESS OTHERWISE SPECIFIED:		MATERIAL:		FINISH:		WEIGHT:		CUSTOMER DRAWING:	
mm	9 PLC	±									
	1 PLC	±									
	2 PLC	±									
	3 PLC	±									
	4 PLC	±									
	5 PLC	±									
	6 PLC	±									
	7 PLC	±									
	8 PLC	±									
	9 PLC	±									
	10 PLC	±									
	11 PLC	±									
	12 PLC	±									
	13 PLC	±									
	14 PLC	±									
	15 PLC	±									
	16 PLC	±									
	17 PLC	±									
	18 PLC	±									
	19 PLC	±									
	20 PLC	±									
	21 PLC	±									
	22 PLC	±									
	23 PLC	±									
	24 PLC	±									
	25 PLC	±									
	26 PLC	±									
	27 PLC	±									
	28 PLC	±									
	29 PLC	±									
	30 PLC	±									
	31 PLC	±									
	32 PLC	±									
	33 PLC	±									
	34 PLC	±									
	35 PLC	±									
	36 PLC	±									
	37 PLC	±									
	38 PLC	±									
	39 PLC	±									
	40 PLC	±									
	41 PLC	±									
	42 PLC	±									
	43 PLC	±									
	44 PLC	±									
	45 PLC	±									
	46 PLC	±									
	47 PLC	±									
	48 PLC	±									
	49 PLC	±									
	50 PLC	±									
	51 PLC	±									
	52 PLC	±									
	53 PLC	±									
	54 PLC	±									
	55 PLC	±									
	56 PLC	±									
	57 PLC	±									
	58 PLC	±									
	59 PLC	±									
	60 PLC	±									
	61 PLC	±									
	62 PLC	±									
	63 PLC	±									
	64 PLC	±									
	65 PLC	±									
	66 PLC	±									
	67 PLC	±									
	68 PLC	±									
	69 PLC	±									
	70 PLC	±									
	71 PLC	±									
	72 PLC	±									
	73 PLC	±									
	74 PLC	±									
	75 PLC	±									
	76 PLC	±									
	77 PLC	±									
	78 PLC	±									
	79 PLC	±									
	80 PLC	±									
	81 PLC	±									
	82 PLC	±									
	83 PLC	±									
	84 PLC	±									
	85 PLC	±									
	86 PLC	±									
	87 PLC	±									
	88 PLC	±									
	89 PLC	±									
	90 PLC	±									
	91 PLC	±									
	92 PLC	±									
	93 PLC	±									
	94 PLC	±									
	95 PLC	±									
	96 PLC	±									
	97 PLC	±									
	98 PLC	±									
	99 PLC	±									
	100 PLC	±									

Mouser Electronics

Authorized Distributor

Click to View Pricing, Inventory, Delivery & Lifecycle Information:

[TE Connectivity:](#)

[1367610-1](#)