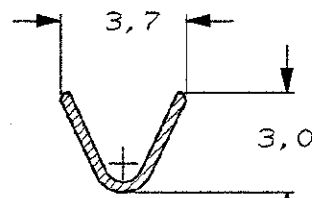
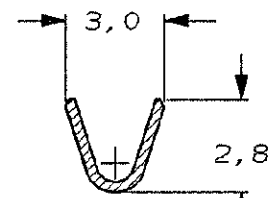
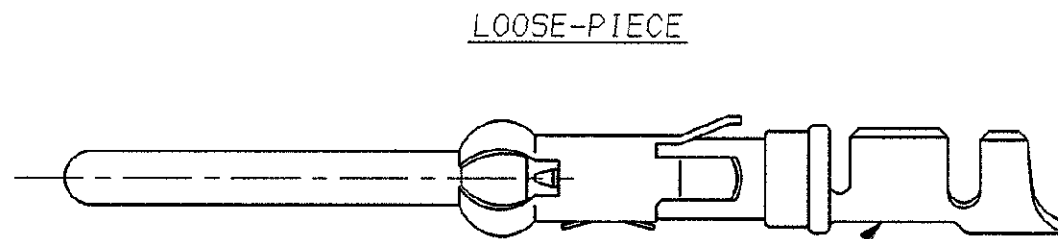
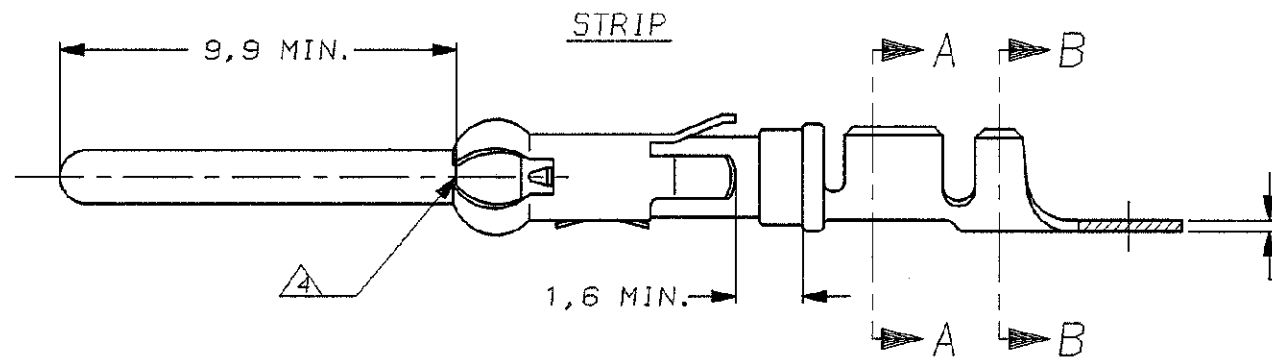
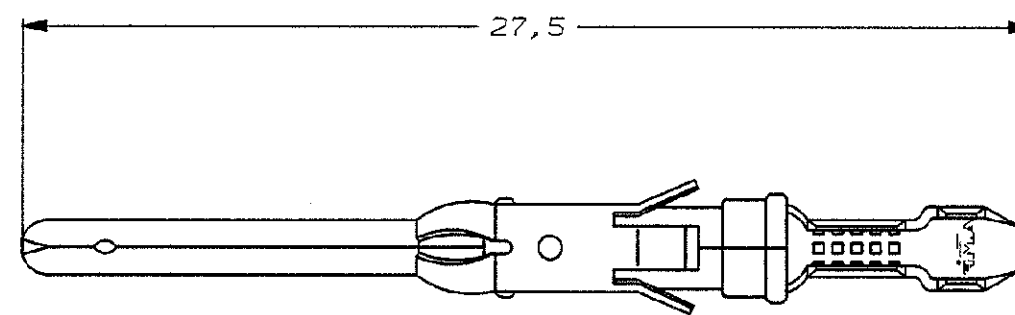
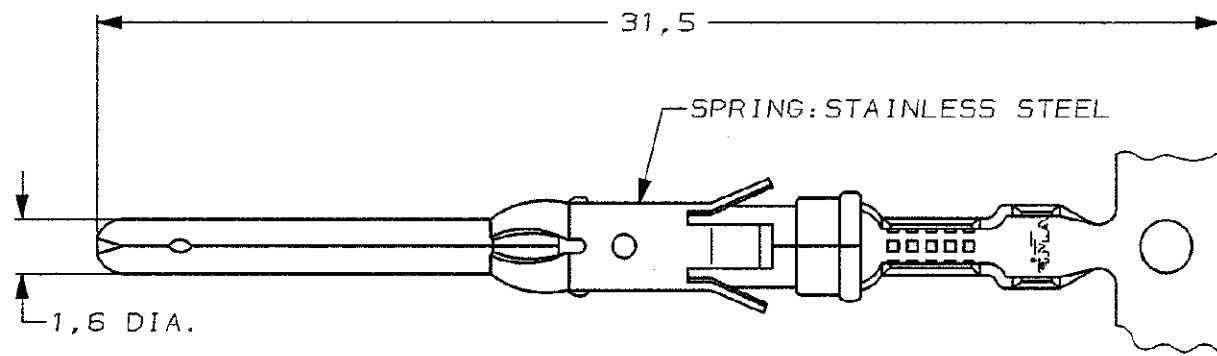


DO NOT SCALE

DIMENSIONS IN mm

METRIC

THIRD ANGLE PROJECTION



WIRE RANGE : 0,75-1,50 mm<sup>2</sup> (18-16 AWG)  
INSUL. RANGE : 2,0 -2,5 mm (.080-.100)

6	OBSOLETE	5-163081-3	A	C		BRASS	ECON. GOLD	21
6	OBSOLETE	5-163081-2	A	C		BRASS	SEL. GOLD	22
6	OBSOLETE	5-163081-1	A	C		BRASS	EL. TIN	20
6	OBSOLETE	1-163081-8	A	A	1-163082-8	BRASS	TIN/LEAD	30
6	OBSOLETE	1-163081-7	A	A		BRASS	SILVER	28
6	OBSOLETE	1-163081-6	A	B	1-163082-6	BRASS	SILVER	28
		1-163081-5	A	A		PH. BRONZE	PRE-TIN	
		1-163081-4	A	B		PH. BRONZE	PRE-TIN	
		1-163081-3	A	A		BRASS	PRE-TIN	
		1-163081-2	A	B		BRASS	PRE-TIN	
		1-163081-1	A	A	1-163082-0	BRASS	ECON. GOLD	21
		1-163081-0	A	B		BRASS	ECON. GOLD	21
		163081-9	A	A	1-163082-1	BRASS	EL. TIN	31 20
		163081-8	A	A		BRASS	EL. TIN	20
		163081-7	A	A		BRASS	SEL. GOLD	22
		163081-2	A	B	163082-2	BRASS	SEL. GOLD	22
		163081-1	A	B	163082-1	BRASS	EL. TIN	20

DIRECTION OFF TOP OF REEL	
AMPOMATOR + MINI-APPL. 107-3-FIG. 1	A
107-3-FIG. 2	B
107-3-FIG. 4	C

NOTES	MATERIAL	THICKNESS	AREA
21	TIN	2,0 μm	ALL OVER
22	NICKEL GOLD	0,8 μm	ALL OVER CONTACT AREA
23	NICKEL GOLD	0,8 μm	ALL OVER CONTACT AREA
24	NICKEL GOLD	1,2 μm	ALL OVER CONTACT AREA
27	NICKEL SILVER	2,5 μm	ALL OVER CONTACT AREA
28	SILVER	1,5-2,5 μm	ALL OVER
29	NICKEL	0,76 μm	ALL OVER
29	SILVER	2,5 μm	ALL OVER
30	NICKEL	1,27 μm	ALL OVER
30	TIN/LEAD	1,27 μm	ALL OVER
31	LUBRICATED		

AW	REVISED PER ECO-10-000444	KK	AEG	11JAN10
AW	EBD0-0335-04	JMS	FWK	02-08-04
W	EH-1347-96	JvL	RV	21-11-96
V	EH-0302-94	JvL	MvD	03-05-94
U	ECN H-9813	JvdH	RD	18-05-92
T	ECN H-9192	MvD	RD	09-10-91
LTR.	REVISION RECORD	DR.	CHK.	DATE

**CUSTOMER DRAWING** FOR REFERENCE ONLY WILL NOT BE UPDATED  
 © COPYRIGHT 19- BY AMP HOLLAND B.V.  
 ALL INTERNATIONAL RIGHTS RESERVED. AMP PRODUCTS MAY BE COVERED BY U.S. AND FOREIGN AND/OR PATENTS PENDING.  
 THIS DRAWING IS UNPUBLISHED  
 RELEASED FOR PUBLICATION



PIN TYPE III CONTACT  
SIZE 16

DR.:	-	CHK.:	-	APP.:	-	DWG. No.	163081	REV. LTR.	SHEET
DATE:	-	DATE:	-	DATE:	-			AW1	1 OF 1

- NOTES :
- 1 U.L. RECONIZED UNDER FILE E28476 VOL. VI SEC. I .
  - 2 FOR CRIMPDETAILS SEE AMP-SPEC. 114-19.000 .
  - 3 MEETS PRODUCTSPECIFICATION 108-10042.
  - 4 0,40 MAX. GAP BETWEEN SPRING-NOSE AND CONTACT BODY.
  - 5 SPECIAL REEL WITH 200 PCS FOR REEL-FED HANDTOOL.
  - 6 OBSOLETE PARTS: OBSOLETE CIS STREAMLINING PER D.RENAUD/D.SINISI