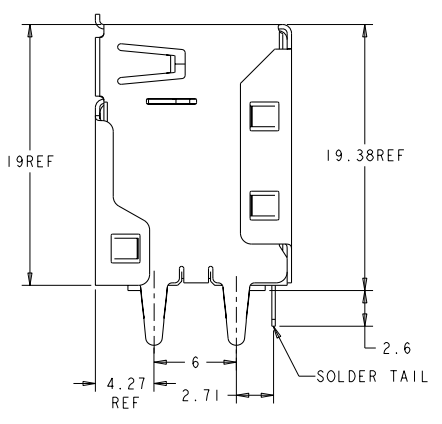
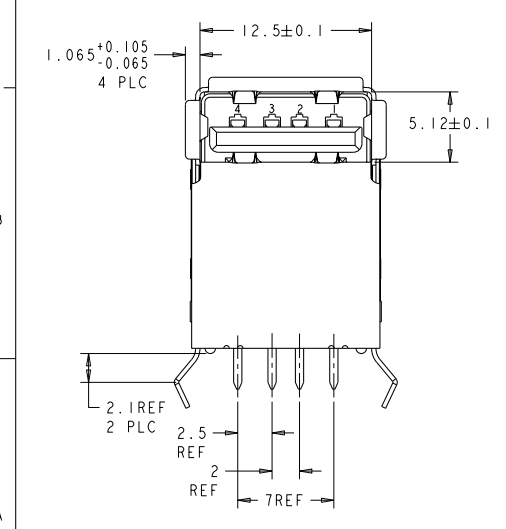
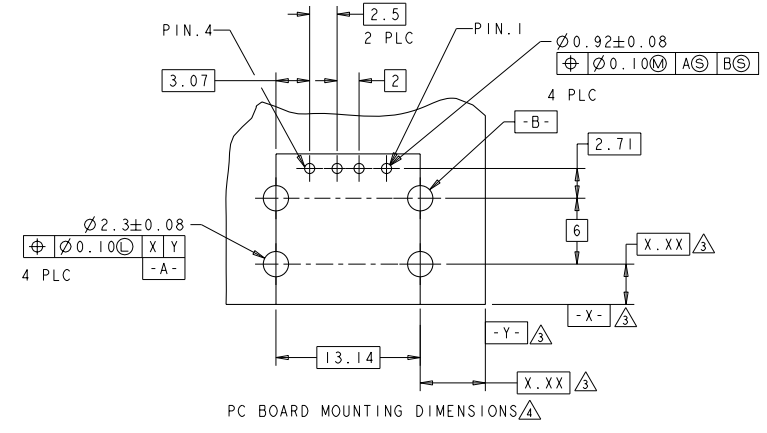
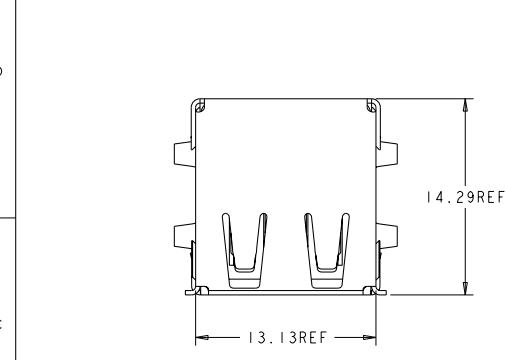


LOC	DISP	REV	DESCRIPTION	DATE	BY	APPD
ES	00					
		C	REVISED ECR-08-019063	20OCT08	A.Z	S.Y



- △ MATERIAL: SHELLS & CONTACTS - COPPER ALLOY, HOUSING - UL 94V-0 RATED, THERMOPLASTIC.
- △ PLATING: CONTACTS - 0.076 PALLADIUM-NICKEL ON MATING AREA, 3.8 BOTH OVER 1.27 CONTACT ALTERNATE PLATING: 0.76 ON MATING AREA, 3.8 TAILS, BOTH OVER 1.27 SHELL: 1.7
- △ DATUM AND BASIC DIMENSIONS ESTABLISHED BY CUSTOMER.
- △ RECOMMENDED PC BOARD THICKNESS OF 1.57.

DIMENSIONS: mm OPERATING SPEC: 0 PLC 40-25, 1 PLC 40-25, 2 PLC 40-25, 3 PLC 40-25, 4 PLC 40-25, ANGLES 40-25		DW: Tony Zhang 12NOV07 CW: Martin Li 12NOV07 APPR: Steven Yao 12NOV07	Tyco Electronics Shanghai, P.R.China, 200233
MATERIAL: △ FINISH: △		NAME: RECEPTACLE ASSEMBLY RIGHT ANGLE 4 POSITION T/H USB LEAD FREE VERSION	SHEET: A200779 CASE CODE: C-1932055 DRAWING NO: 1932055
CUSTOMER DRAWING		SCALE: 4:1	SHEET: 1 OF 1 REV: C