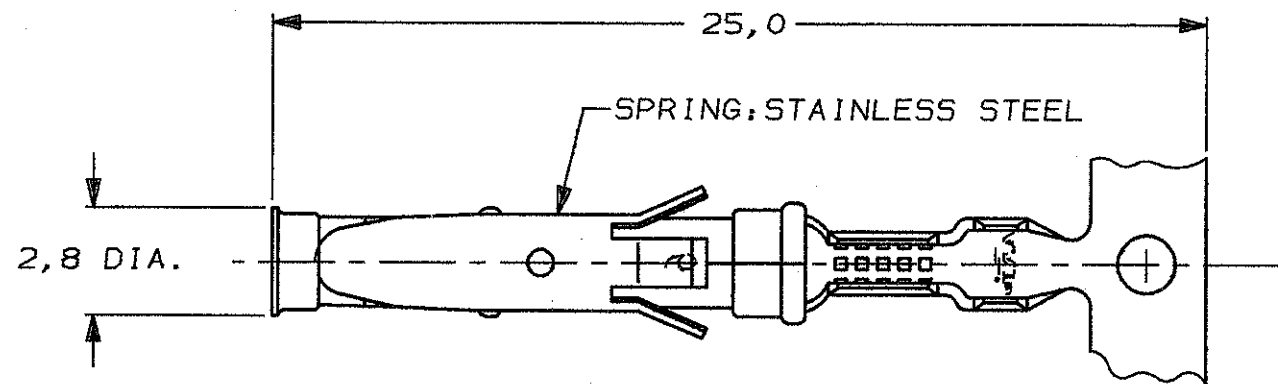
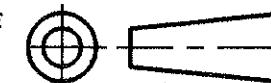


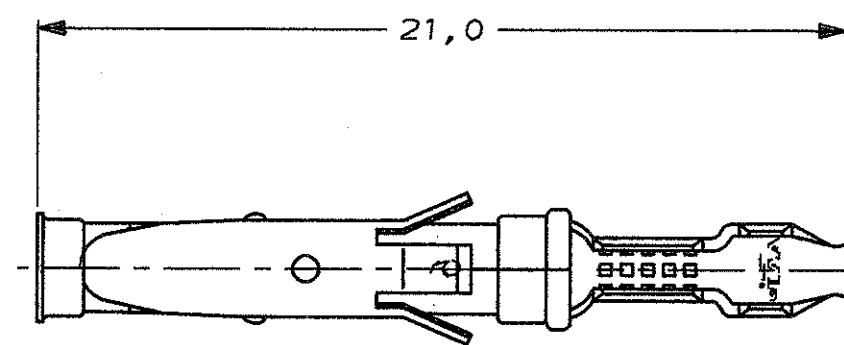
DO NOT SCALE  
DIMENSIONS IN mm

METRIC

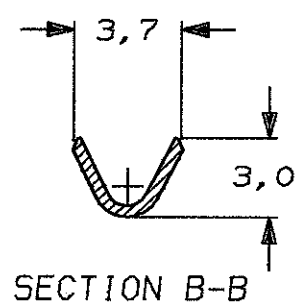
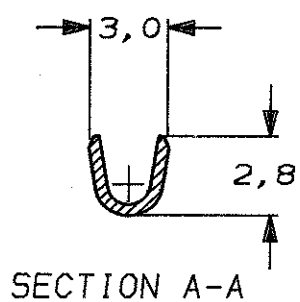
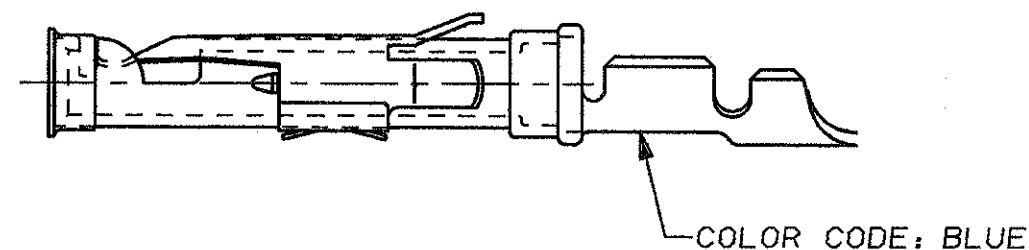
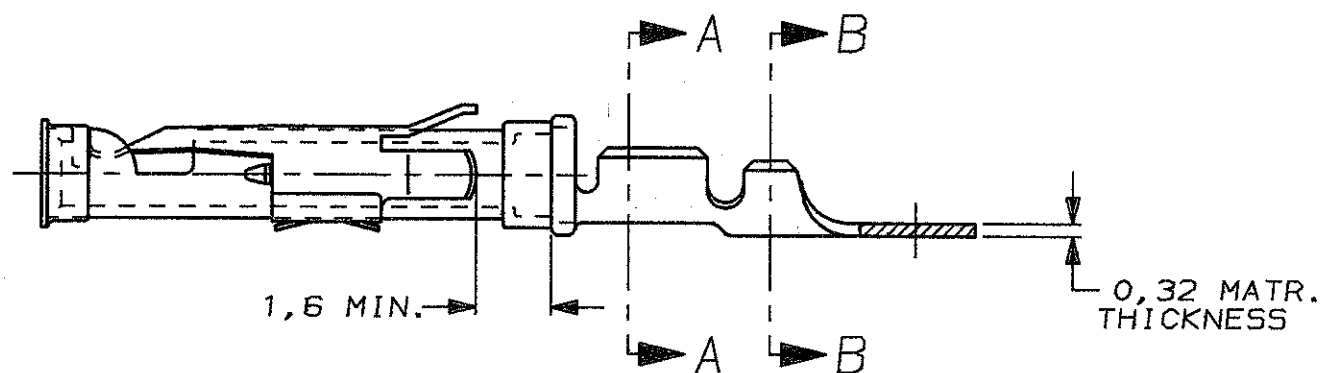
THIRD ANGLE  
PROJECTION



STRIP



LOOSE-PIECE

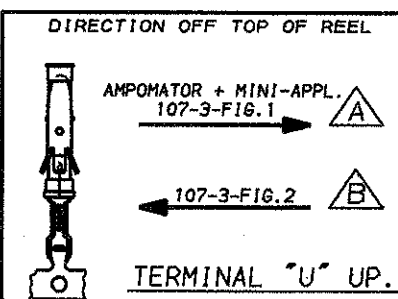


WIRE RANGE : 0,75-1,50 mm<sup>2</sup> (18-16 AWG)  
INSUL. RANGE : 2,0 -2,5 mm (.080-.100)

NOTES :

- FOR CRIMPDETAILS SEE AMP-SPEC. 114-19.000 .
- MEETS PRODUCTSPECIFICATION 108-10042.

NOTES	MATERIAL	THICKNESS	AREA
20	TIN	2,0 μm	ALL OVER
21	NICKEL GOLD TIN/LEAD	0,8 μm	ALL OVER CONTACT AREA BARREL
22	NICKEL GOLD GOLD	0,8 μm	ALL OVER CONTACT AREA ALL OVER
23	NICKEL GOLD GOLD	1,2 μm	ALL OVER CONTACT AREA ALL OVER
24	NICKEL SILVER TIN/LEAD	2,5 μm	ALL OVER CONTACT AREA BARREL
25	SILVER	0,5 μm	ALL OVER
26	SILVER	2,5 μm	ALL OVER



PARTNUMBER	DIRECTION OF REEL	LOOSE-PIECE	MATERIAL	PLATING
163767-6	A		PH. BRONZE	SILVER
163767-5	A		PH. BRONZE	SEL. GOLD
163767-4	A		PH. BRONZE	EL. TIN
163767-3	B	164840-3	PH. BRONZE	SILVER
163767-2	B	164840-2	PH. BRONZE	SEL. GOLD
163767-1	B	164840-1	PH. BRONZE	EL. TIN

CUSTOMER DRAWING

FOR REFERENCE ONLY  
WILL NOT BE UPDATED



AMP-HOLLAND B.V.  
's-Hertogenbosch, The Netherlands.

THIS DRAWING IS UNPUBLISHED RELEASED FOR PUBLICATION AUG. , 1987

© COPYRIGHT 1987 BY AMP-HOLLAND B.V.  
ALL INTERNATIONAL RIGHTS RESERVED.  
AMP PRODUCTS MAY BE COVERED BY U.S. AND FOREIGN PATENTS AND/OR PATENTS PENDING.

DR.	DATE	WIRE RANGE	NAME	REV. DATE
L. V. D. HEYDEN	19.08.1987	-	SOCKET TYPE III <sup>+</sup> CONTACT SIZE 16	D M Y
CHK. P. V. D. HAGEN	DATE	INSUL. RANGE		20 09 88
APP. L. V. SOEST	DATE	SIZE A3	SHEET 1 OF 1	DWG. No. C-163767
				REV. LTR. F