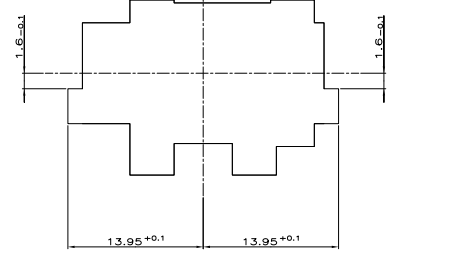
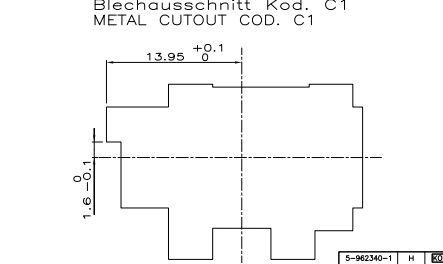
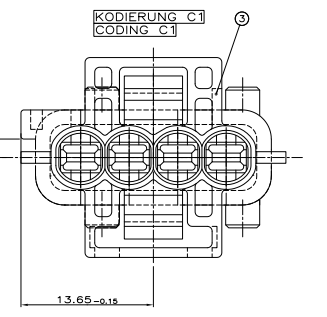
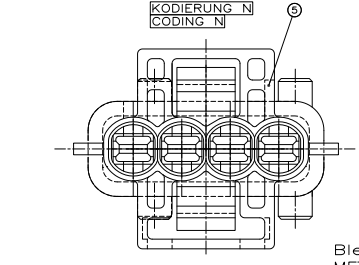
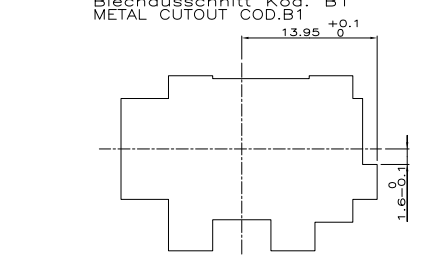
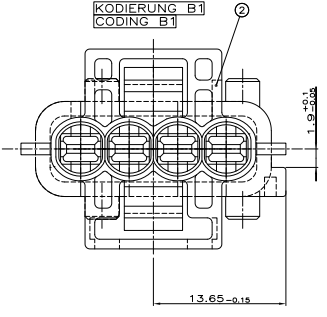
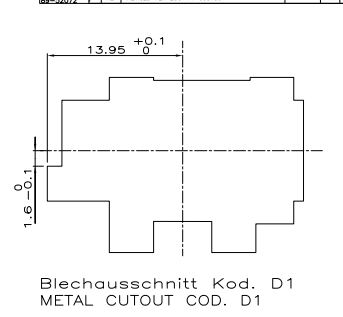
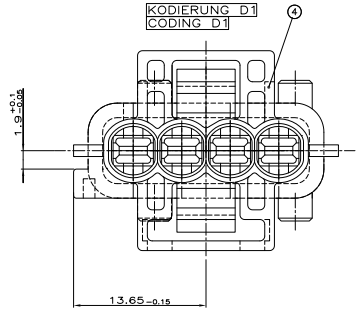
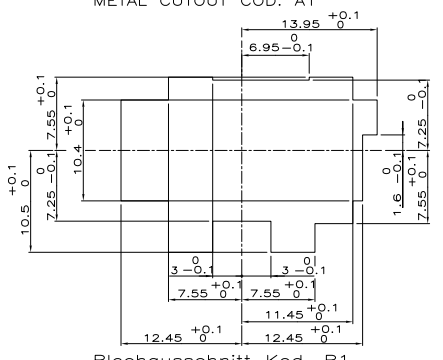
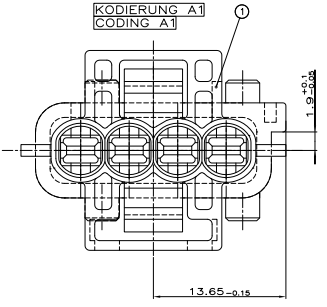


| | | | |
|--|--|----------------|--|
| THIS DRAWING IS A CONTROLLED DOCUMENT. | | REV. 13.03.01 | TE Connectivity |
| DRAWN BY: [Signature] | | DATE: [Date] | PROJECT: [Project Name] |
| CHECKED BY: [Signature] | | DATE: [Date] | DESCRIPTION: 2.8mm FltSt Gehause, 4pol. 2.8MM TAB HOUSING, 4POS. |
| APPROVED BY: [Signature] | | DATE: [Date] | REVISION: [Revision] |
| PART NUMBER: [Part Number] | | SIZE: [Size] | QUANTITY: [Quantity] |
| CUSTOMER DRAWING / KUNDENZICHUNG | | SCALE: [Scale] | UNIT: [Unit] |

| REVISONS | | DATE | BY | APP |
|----------|---|----------|---------|-----|
| AI | 1 | 12/11/10 | 21MMP11 | RK |
| H2 | 2 | 12/11/10 | 21MMP11 | RK |



| BESTELL-NR. | REV. | KODIERUNG | POS. | BENENNUNG EINZELTEIL | WIKENSTOFF | ÖBERFLÄCHE | FARBE |
|-------------|------|--------------|------|----------------------|------------|------------|-------|
| 5-962340-1 | H | KODIERUNG B1 | 5 | 2.8mm FloSt Geh, 4p | PBT-GF30 | weiß | |
| 4-962340-2 | H | KODIERUNG D1 | 4 | 2.8mm FloSt Geh, 4p | PBT-GF30 | grün | |
| 4-962340-1 | H | KODIERUNG B1 | 4 | 2.8mm FloSt Geh, 4p | PBT-GF30 | braun | |
| 3-962340-2 | H | KODIERUNG C1 | 3 | 2.8mm FloSt Geh, 4p | PBT-GF30 | grün | |
| 3-962340-1 | H | KODIERUNG C1 | 3 | 2.8mm FloSt Geh, 4p | PBT-GF30 | blau | |
| 2-962340-1 | H | KODIERUNG B1 | 2 | 2.8mm FloSt Geh, 4p | PBT-GF30 | grau | |
| 1-962340-1 | H | KODIERUNG A1 | 1 | 2.8mm FloSt Geh, 4p | PBT-GF30 | schwarz | |

| | | | |
|--|----|---------------------------|--------------------------|
| THIS DRAWING IS A CONTROLLED DOCUMENT. | | TE Connectiv | 12/11/10 |
| DATE REVISION BY | | DATE | BY |
| 1 | AI | 12/11/10 | 21MMP11 |
| 2 | H2 | 12/11/10 | 21MMP11 |
| TE Connectivity | | 2.8mmFloSt Gehäuse, 4pol. | 2.8MM TAB HOUSING, 4POS. |
| CUSTOMER DRAWING / KUNDENZICHUNG | | DATE | BY |
| A1 | | 00779 | 962340 |
| REV | | DATE | BY |
| S.1 | | 12/11/10 | 21MMP11 |