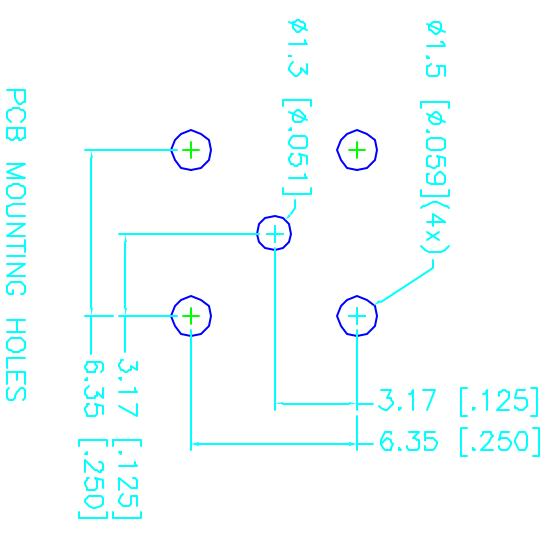
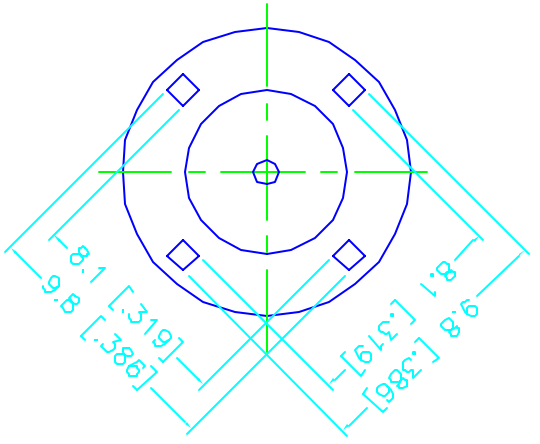
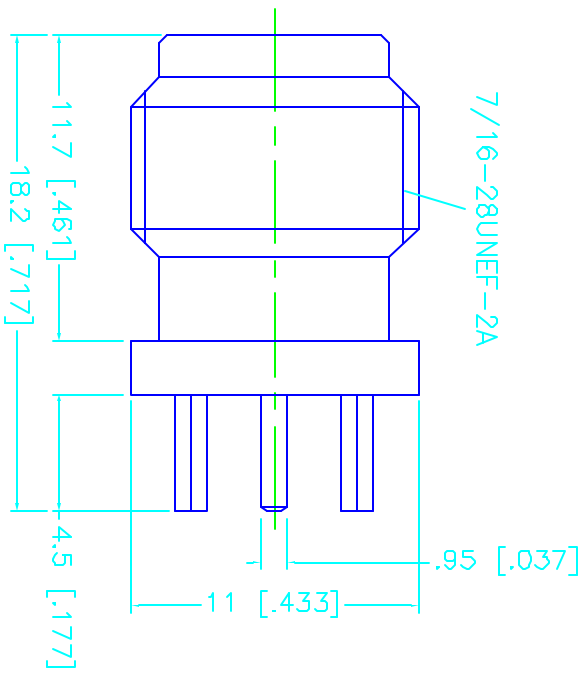


REV.	DATE	DESCRIPTION
NC	07/09/99	INITIAL RELEASE



DESCRIPTION	MATERIAL	FINISH	UNLESS OTHERWISE SPECIFIED DIMENSIONS ARE IN MILLIMETERS FOR CUSTOMER REFERENCE ONLY	APPROVALS	DATE	TITLE	SIZE	FORM NO.	DWG. NO.	REV.	
1 BODY	BRASS	NICKEL	UNLESS OTHERWISE SPECIFIED TOLERANCES FOR MILLIMETERS ARE: 0.5-6 = ± 0.2 6-30 = ± 0.4 30-120 = ± 0.6 120-375 = ± 1 375-1000 = ± 1.6 1000-2000 = ± 2.4	DRAWN	G.R.S.	TNC P.C. MOUNT RECEPTACLE JACK - 50ohm	A	99001	122440	122440.DWG	
2 INSULATOR	TEFLON	NATURAL		CHECKED							
3 CONTACT PIN	PHOS. BRONZE	GOLD		ISSUED							
4											
5											
6											
7											
8				DO NOT SCALE DRAWING							

