

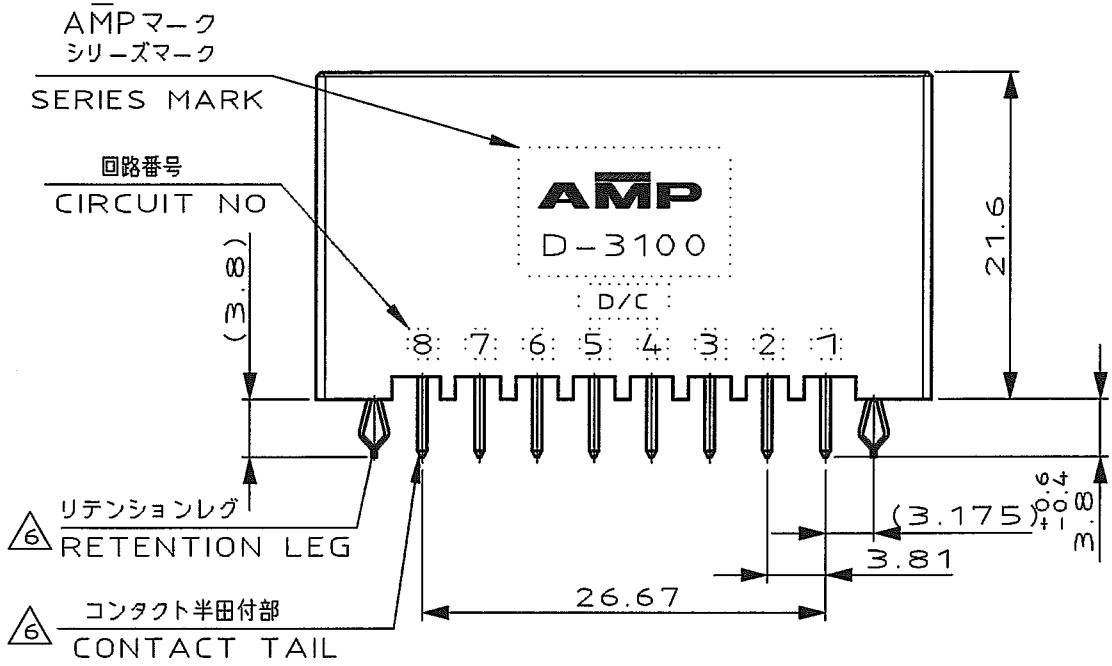
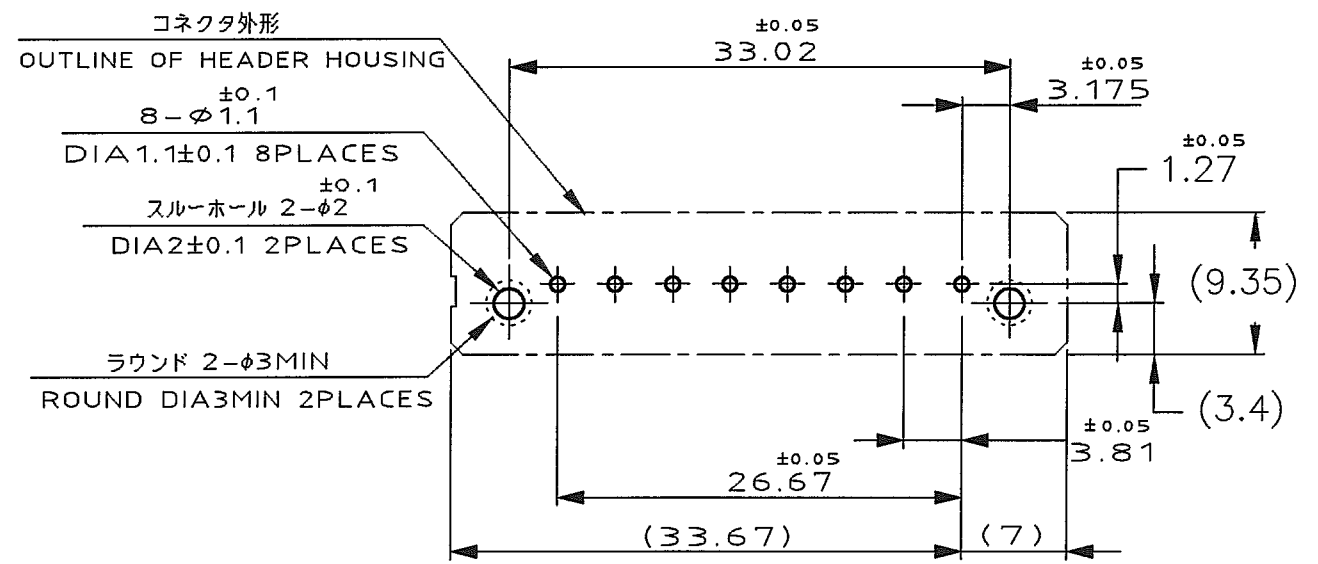
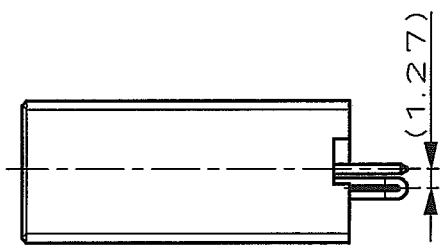
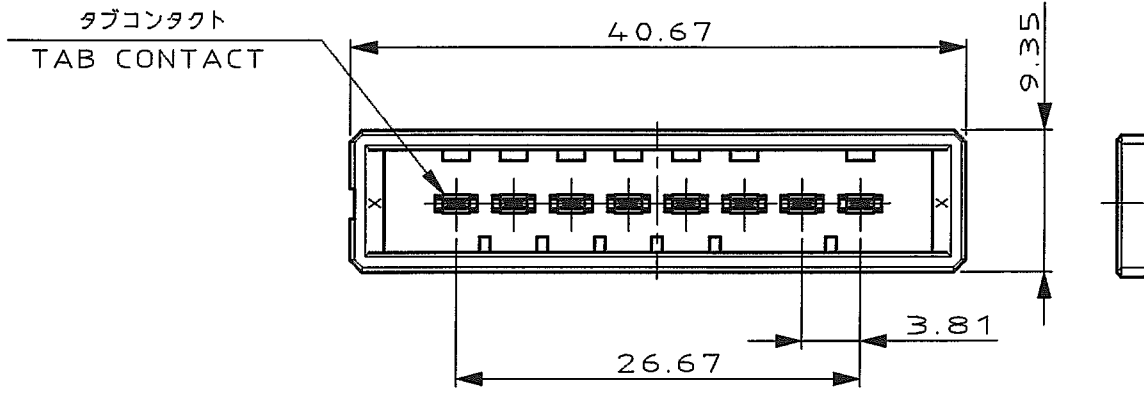
NUMBER 178317



METRIC

DIMENSIONS IN MILLIMETERS. DO NOT SCALE PRINT

PRINT DIST



推奨基板取付け穴寸法
PC 基板厚: 1.6 ± 0.1
(非累積公差)
(コネクタ搭載面)

RECOMEND PC BOARD HOLE PATTERN
PC BOARD THICKNESS: 1.6 ± 0.1
(NOT ACCUMULATE TOLERANCE)
(CONNECTOR MOUNT SIDE)

NOTES

- MATERIAL: HOUSING: GLASS FILLED THERMO PLASTIC, POLYESTER (94V-0), COLOR: BLACK
CONTACT: COPPER ALLOY
RETENTION LEG: COPPER ALLOY
- FINISH (CONTACT AREA): 0.38 μm MIN GOLD PLATING OVER Ni PLATING
- FINISH (CONTACT AREA): 0.76 μm MIN GOLD PLATING OVER Ni PLATING
- FINISH (CONTACT AREA): 2.0 μm MIN TIN PLATED OVER NICKEL
- FINISH (RETENTION LEG): TIN-LEAD PLATED (CONTACT TAIL) OVER NICKEL
- FINISH (RETENTION LEG): TIN PLATED (CONTACT TAIL) OVER NICKEL

注記

- 材料: ハウジング: ガラス入り熱可塑性ポリエステル樹脂 (94V-0), 色: 黒
コネクタ: 銅合金
リテンションレグ: 銅合金
- めっき: コネクタ: 全面Ni下地
接触部: 0.38 μm MIN金めっき
- めっき: コネクタ: 全面Ni下地
接触部: 0.76 μm MIN金めっき
- めっき: コネクタ: 全面Ni下地
接触部: 2.0 μm MINスズめっき
- めっき: リテンションレグとコネクタ半田付部
ニッケル下地の上に半田めっき
- めっき: リテンションレグとコネクタ半田付部
ニッケル下地の上にスズめっき

△6	△4	1-178317-5
△6	△3	1-178317-3
△6	△2	1-178317-2
(FINISH)	製品番号 (PART NO.)	

REV	DESCRIPTION	DATE	BY	CHK	DATE
E	REVISED	FJD0-0039-03	T.S.M.	S.M.	6/2 '03
D	REVISED	FJD0-0114-03	T.S.M.	S.M.	25.APR '03
C	REVISED	FJ00-2744-95	KI.Y.I.	Y.I.	16/JUN '95
B	REVISED	FJ00-0838-94	NM	S.M.	7/4 '94
A	REDRAWN WITH CHANGE	FJ00-0480-94	NM	S.M.	4/20 '94

Copyright © 1994 AMP(Japan) LTD. ALL RIGHTS RESERVED.

tyco Electronics Tyco Electronics AMP K.K. Kawasaki, Japan

WIRE RANGE	INSULATION DIA	NAME
mm(AWG -)	mmφ	8 POS SINGLE ROW VERTICAL HDR ASS'Y FOR DYNAMIC D-3100
MATERIAL	FINISH	一般公差 (GENERAL TOLERANCE)
SEE NOTE 注記参照	SEE NOTE 注記参照	10KF : ±0.3 100KF 30MF : ±0.4 300KF 100MF : ±0.45 角 度 : ±3'
DR. N. Matsubara 19 APR 94	DE. N. Matsubara 19 APR 94	SIZE A3
CHK. S. MANABE 20 APR 94	APP. S. MANABE 20 APR 94	LOC J
LTR REVISION RECORD	DR CHK DATE	NUMBER C=178317
		SCALE 2-1
		REV. E
		SHEET 1 OF 1