

Electronics cases - Interscale M

Mounting plate with built-in fan holder and fans

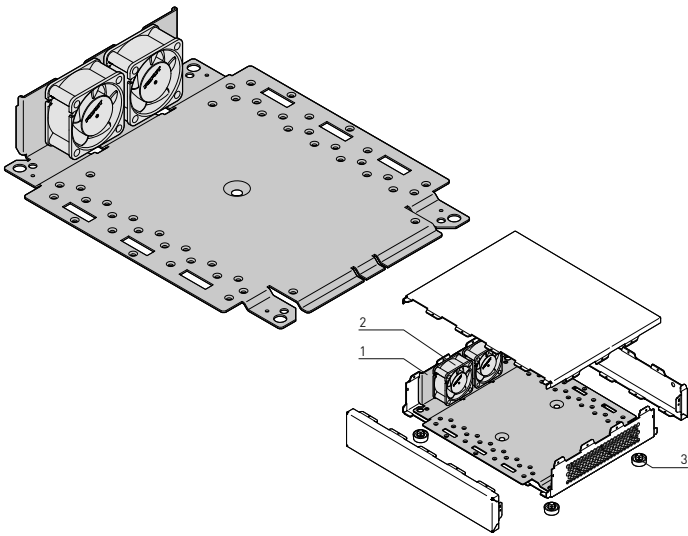


Illustration shows desktop case

- Mounting plate (raised 4 mm) with integrated fan holder including fan kit for perforated case versions
- Fans are simple to fit to the mounting plate using vibration-damping fixing material
- Mounting plate fixes into desktop case with 4 plastic feet or into 19" case with 4 screws

Delivery includes

Item	Qty	Description
1	1	Mounting plate with fan holder, St, 1 mm, AlZn coated
2		For fan size and quantity see Order Information
3a	4	Desktop cases: Plastic foot, PC, UL 94 V-0, black
3b	4	19" case (width 444 mm): Countersunk screw
4	1	Assembly kit and user manual

Order Information

	For case			Fan holder with fans					Part no.		
	height	width	depth	Height	Width	Depth	Fan dimensions	Number of fans			
U	mm	mm	mm	mm	mm	mm	mm				
Desktop cases	1	44	221	177	41.15	214.95	173.00	40 x 40 x 20	2	24827-154	
	1	44	221	221	41.15	214.95	217.45	40 x 40 x 20	3	24827-155	
	1	44	310	221	41.15	303.85	217.45	40 x 40 x 20	3	24827-175	
	1	44	399	221	41.15	392.75	217.45	40 x 40 x 20	3	24827-195	
	1	44	399	310	41.15	392.75	306.35	40 x 40 x 20	5	24827-197	
	2	88	221	177	85.60	214.95	173.00	80 x 80 x 25	1	24827-254	
	2	88	221	221	85.60	214.95	217.45	80 x 80 x 25	1	24827-255	
	2	88	310	221	85.60	303.85	217.45	80 x 80 x 25	1	24827-275	
	2	88	399	221	85.60	392.75	217.45	80 x 80 x 25	1	24827-295	
	2	88	399	310	85.60	392.75	306.35	80 x 80 x 25	2	24827-297	
	3	133	310	221	130.05	303.85	217.45	119 x 119 x 25	1	24827-375	
	3	133	399	221	130.05	392.75	217.45	119 x 119 x 25	1	24827-395	
	3	133	399	310	130.05	392.75	306.35	119 x 119 x 25	2	24827-397	
	19" cases	1	44	444	221	41.15	437.20	217.45	40 x 40 x 20	3	24827-105
		1	44	444	310	41.15	437.20	306.35	40 x 40 x 20	5	24827-107
2		88	444	221	85.60	437.20	217.45	80 x 80 x 25	1	24827-205	
2		88	444	310	85.60	437.20	306.35	80 x 80 x 25	2	24827-207	
3		133	444	221	130.05	437.20	217.45	119 x 119 x 25	1	24827-305	
3		133	444	310	130.05	437.20	306.35	119 x 119 x 25	2	24827-307	

- For technical data of fans see page 5.129