

Distributed by:

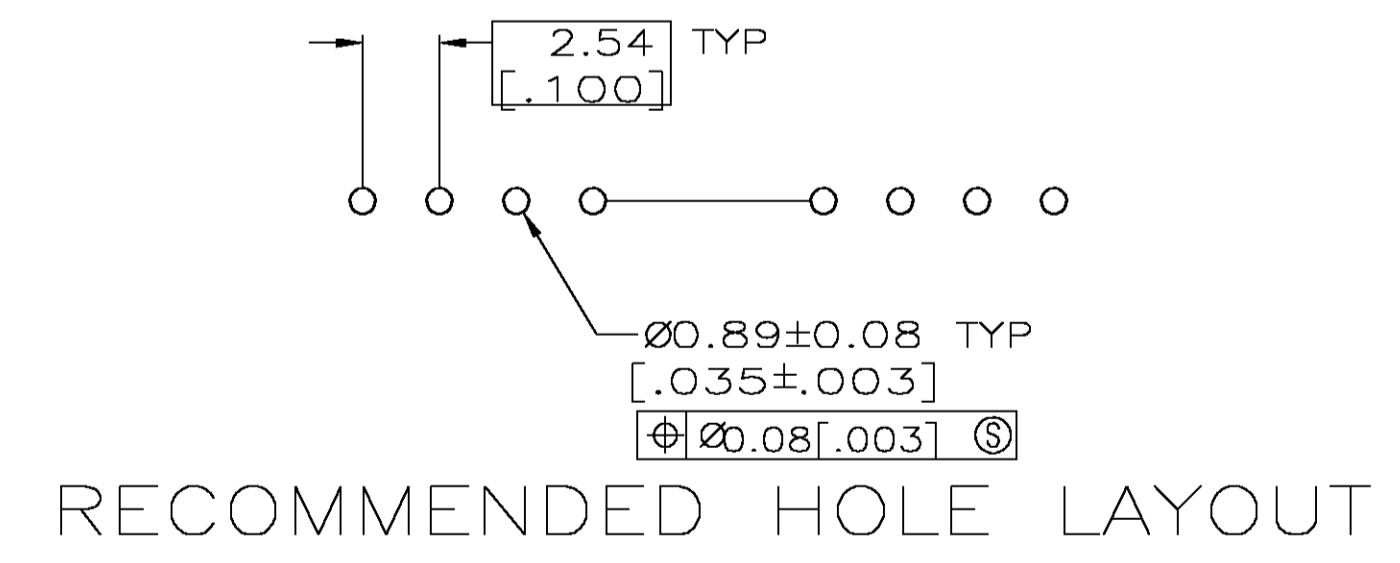
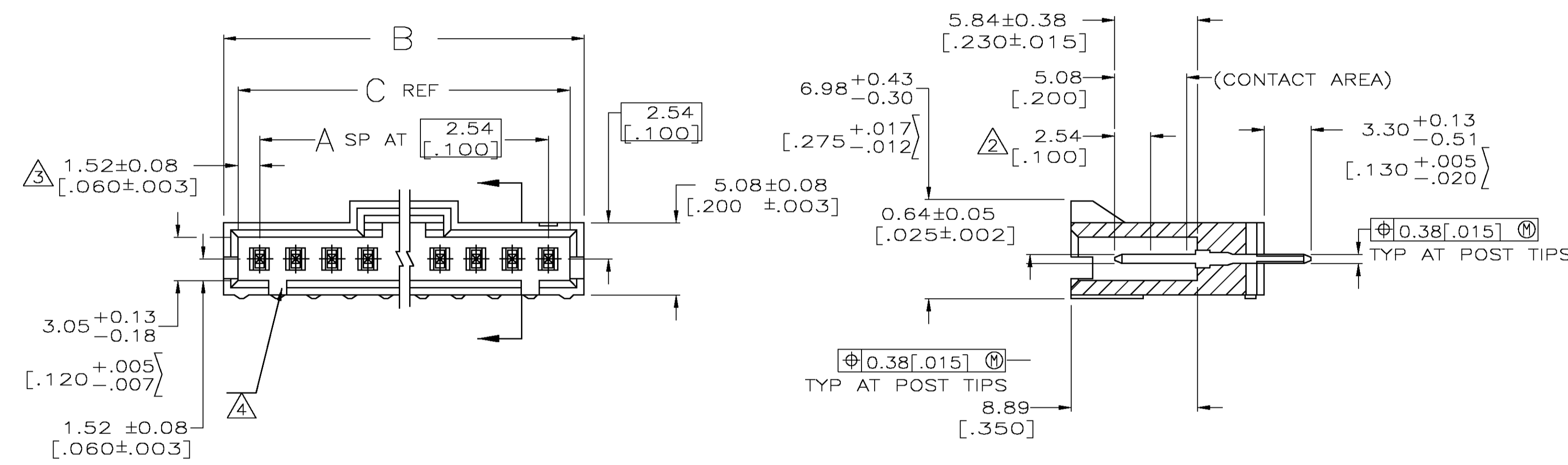
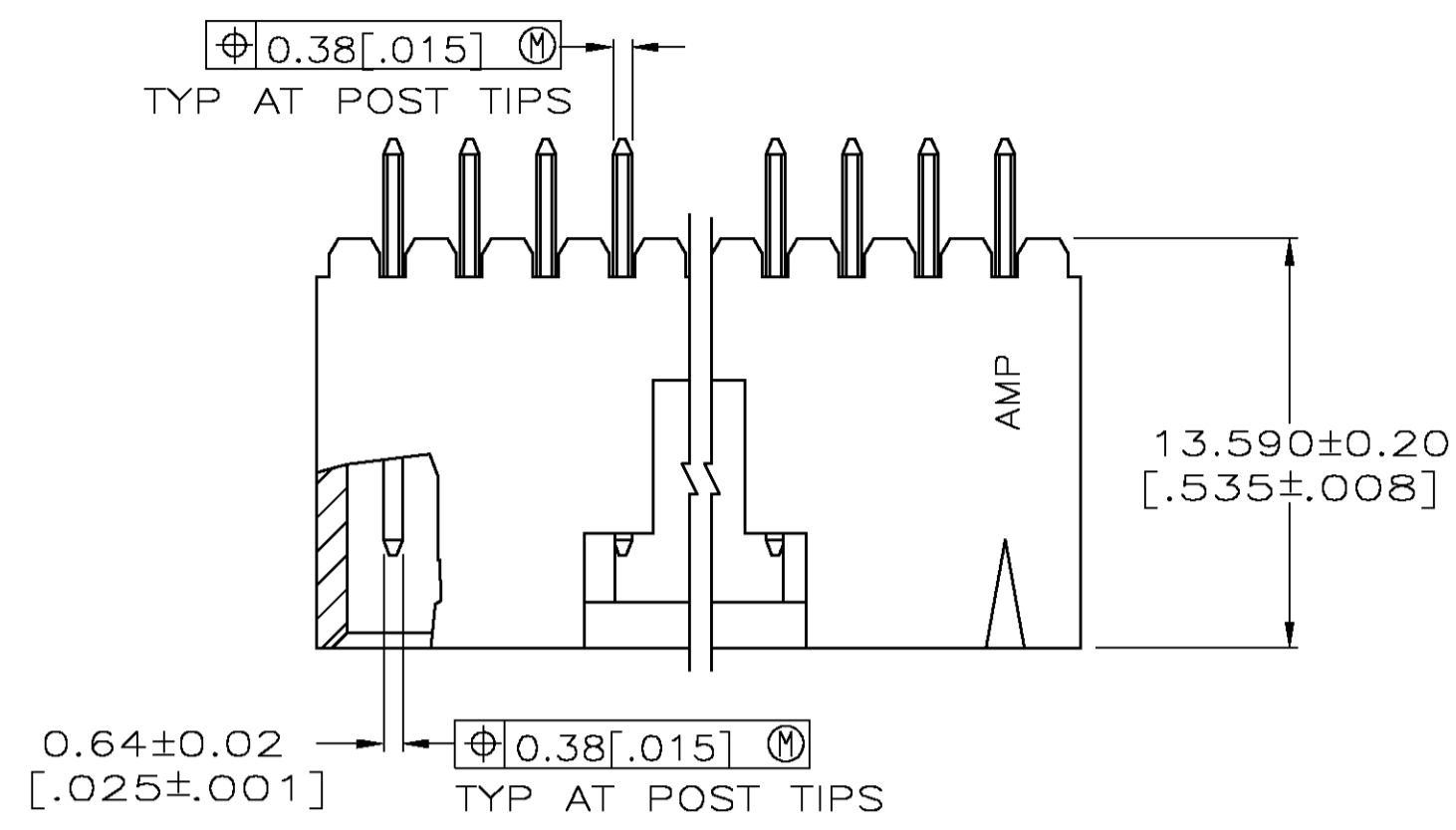
JAMECO[®]
ELECTRONICS

www.Jameco.com ♦ 1-800-831-4242

The content and copyrights of the attached
material are the property of its owner.

Jameco Part Number 738081

- △.000100 BRIGHT TIN-LEAD OVER .000050 NICKEL.
- △ POINT OF MEASUREMENT FOR PLATING THICKNESS.
- △ THE NOTED DIMENSIONS APPLY AT THE INTERSECTION OF THE POST AND THE HOUSING.
- △ ON ASSEMBLIES WITH FOUR OR MORE POSITIONS, TWO POLARIZATION SLOTS.
ON ASSEMBLIES WITH TWO OR THREE POSITIONS, ONE POLARIZATION SLOT.
- △ .000100 BRIGHT TIN OVER .000050 NICKEL.
- △ PRELIMINARY PART - NOT RELEASED FOR PRODUCTION.



△6	△5	20.83 [.820]	22.86 [.900]	7	8	2-103639-8
△6	△5	18.29 [.720]	20.32 [.800]	6	7	2-103639-7
△6	△5	13.21 [.520]	15.24 [.600]	4	5	2-103639-6
△6	△5	5.59 [.220]	7.62 [.300]	1	2	2-103639-5
△1	△1	64.01 [2.520]	66.04 [2.600]	24	25	2-103639-4
△1	△1	61.47 [2.420]	63.50 [2.500]	23	24	2-103639-3
△1	△1	58.93 [2.320]	60.96 [2.400]	22	23	2-103639-2
△1	△1	56.39 [2.220]	58.42 [2.300]	21	22	2-103639-1
△1	△1	53.85 [2.120]	55.88 [2.200]	20	21	2-103639-0
△1	△1	51.31 [2.020]	53.34 [2.100]	19	20	1-103639-9
△1	△1	48.77 [1.920]	50.80 [2.000]	18	19	1-103639-8
△1	△1	46.23 [1.820]	48.26 [1.900]	17	18	1-103639-7
△1	△1	43.69 [1.720]	45.72 [1.800]	16	17	1-103639-6
△1	△1	41.15 [1.620]	43.18 [1.700]	15	16	1-103639-5
△1	△1	38.61 [1.520]	40.64 [1.600]	14	15	1-103639-4
△1	△1	36.07 [1.420]	38.10 [1.500]	13	14	1-103639-3
△1	△1	33.53 [1.320]	35.56 [1.400]	12	13	1-103639-2
△1	△1	30.99 [1.220]	33.02 [1.300]	11	12	1-103639-1
△1	△1	28.45 [1.120]	30.48 [1.200]	10	11	1-103639-0
△1	△1	25.91 [1.020]	27.94 [1.100]	9	10	103639-9
△1	△1	23.37 [.920]	25.40 [1.000]	8	9	103639-8
△1	△1	20.83 [.820]	22.86 [.900]	7	8	103639-7
△1	△1	18.29 [.720]	20.32 [.800]	6	7	103639-6
△1	△1	15.75 [.620]	17.78 [.700]	5	6	103639-5
△1	△1	13.21 [.520]	15.24 [.600]	4	5	103639-4
△1	△1	10.67 [.420]	12.70 [.500]	3	4	103639-3
△1	△1	8.13 [.320]	10.16 [.400]	2	3	103639-2
△1	△1	5.59 [.220]	7.62 [.300]	1	2	103639-1
PLATING	C	B	A	NO. OF POSN	PART NO.	

THIS DRAWING IS A CONTROLLED DOCUMENT.

DWN: S. SHUEY 3-5-91
 DFK: L. CASTAGNA 3-27-93
 APVD: L. CASTAGNA 3-27-93

Tyco Electronics Corporation
 Harrisburg, Pa.

PRODUCT SPEC: HDR ASSY, VERT, SINGLE ROW
 APPLICATION SPEC: 2.54 [0.100] C/L 0.64 [0.025] SQ POST, WITH PLZN & LATCHING, AMPMODU MTE

SIZE: A1
 CAGE CODE: 114-25026
 DRAWING NO: 00779
 RESTRICTED TO: 103639

CUSTOMER DRAWING
 SCALE: 4:1
 SHEET: 1 OF 1
 REV: R

- [Home](#)
- [Part Number Search](#)
- [Document Search](#)
- [Text Search](#)
- [Alternate Part Search](#)
- [Multiple Part Comparison](#)
- [Alphabetical Search](#)
- [Brand Search](#)
- [Industry Product Search](#)
- [Product Type Search](#)
- [Product Family Search](#)
- [Competitor Cross Reference](#)
- [Lead Free Solutions](#)
- [Help/Glossary](#)

Current Brand View	AMP	View All Tyco Electronics Brands <small>Click to activate links to all other products</small>
---------------------------	---------------------	--

AMPMODU

MTE, MT, Level V IDC, Tandem Spring Products
.100 Centerline IDC (MTE, MT, RV 100/RV100-4)

AMP 103639-3 Active [Active](#)

(Tyco Electronics P/N: 103639-3)

[Search for Parts](#) | Se [Previous](#) [1] [2](#) [Next](#) N

Document links for this part cannot be displayed. Your browser does not support inline frames or is currently configured not to display inline frames. Inline frames are supported in both Internet Explorer 5 and Netscape 6, as well as all later versions of these browsers.

Related Part Information		
General Information	eCommerce	Related Part Information
<ul style="list-style-type: none"> General Info Sales Info Assembly Subcontractors 	<ul style="list-style-type: none"> Pricing Product Availability 	

Photos & Line Drawings - The photographs and/or line drawings are representative images of a product for viewing purposes only.

[Product Photo](#)

<i>Searchable Features:</i>	
Brand:	AMP
Product Type:	Header
No. of Positions:	4
Terminate To:	Printed Circuit Board
No. of Rows:	Single
PCB Mount Angle:	Vertical
PCB Retention Feature:	Without
Centerline, Matrix (mm [in]):	2.54 [.100]
PCB Orientation Feature:	No

<i>Other Properties:</i>	
Shrouded:	Yes
Housing Material:	Thermoplastic
Housing Flammability Rating:	UL 94V-0
Packaging Method:	Tube
Post Size (mm [in]):	0.64 [.025]
Contact Shape:	Square
Comment:	Use Keying Tool No. 91417-1 to remove post for keying.

PCB Mount Style:	Thru Hole
Mating Polarization:	Yes
Mating Polarization Method:	Latched
Contact Type:	MTE (IDC)
Contact Mating Area Plating:	Tin over Nickel
Contact Material:	Brass
Color:	Black

[Copyright](#) and [Privacy Statement](#)

Visit [Tyco International, Ltd.](#)

[Products](#) | [Catalog](#) | [Brands](#) | [Industries](#) | [Commerce](#) | [Supplier](#) | [Customer Service](#) | [About](#) | [Home](#)