

THIS DRAWING IS UNPUBLISHED.

RELEASED FOR PUBLICATION

, 1996

© COPYRIGHT 1996

BY AMP INCORPORATED. ALL RIGHTS RESERVED.

LOC J DIST

REVISIONS

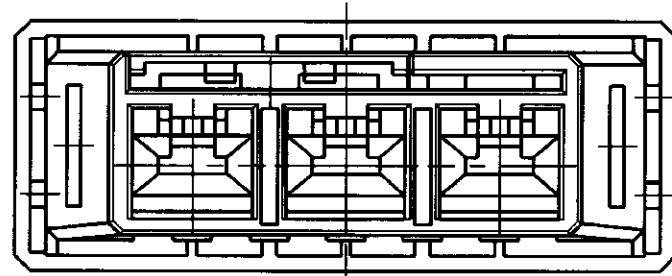
P	LTR	DESCRIPTION	ECN	DATE	DWN	APVD
	O	RELEASED	FJ00-4330-96	16/MAY '96	K. I	Y. I
	A	REVISED	FJ00-5532-96	7/JAN '97	K. I	Y. I
	B	REVISED	FJ00-0246-97	18/FEB '97	K. I	Y. I
	C	REVISED	FJ00-1335-97	5/Sep '97	K. I	I. H

注記

△ 材料：ハウジング：ガラス入り熱可塑性
ポリエステル樹脂 (94V-0)、色：黒

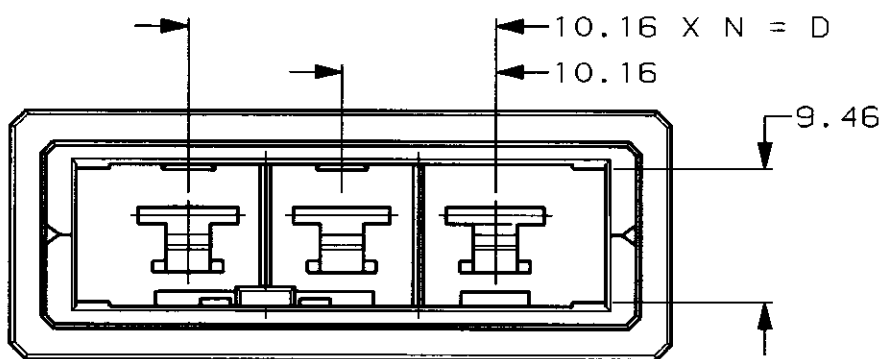
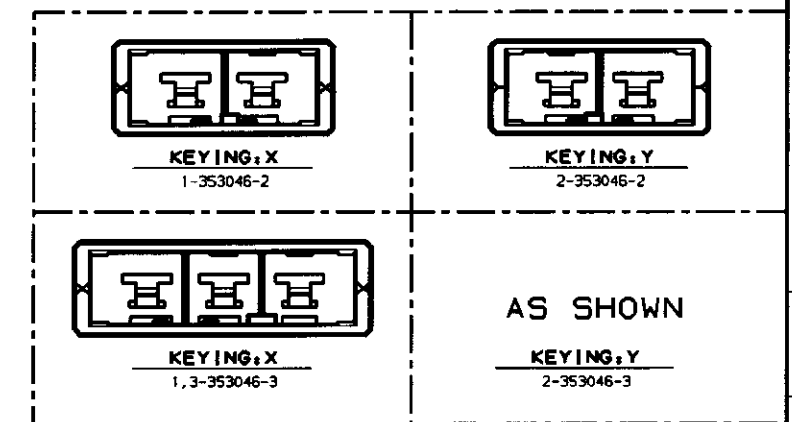
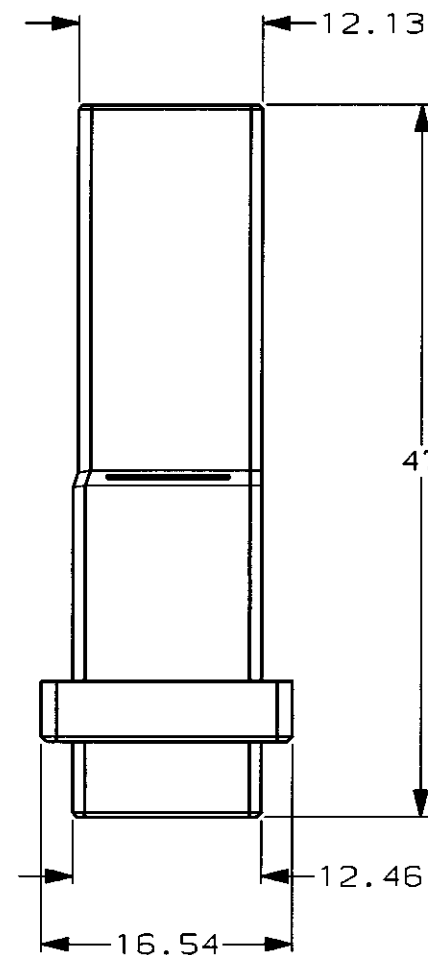
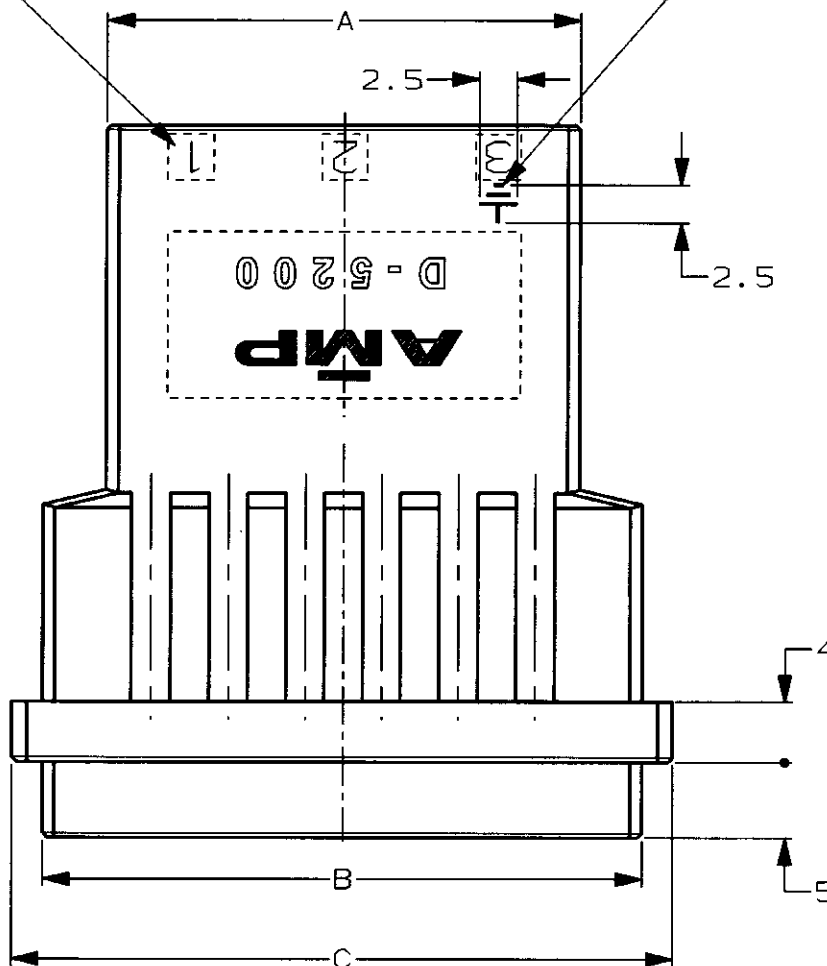
NOTES

△ MATERIAL: HOUSING: GLASS FILED THERMO PLASTIC
, POLYESTER (94-V-0), COLOR: BLACK



CIRCUIT NO.
回路番号

ホットマーキング 白色
(アースマーク: IEC 617-2, IEC No: 02-15-01)
3, 4 -3のみ
3, 4 -3 ONLY



KEYING: Y
2, 4-353046-3

↑	↑	↑	↑	↑	↑	2, 4-353046-3
31.27	39.52	43.6	20.32	2	3	1, 3-353046-3
↑	↑	↑	↑	↑	↑	2-353046-2
21.11	29.36	33.44	10.16	1	2	1-353046-2
A	B	C	D	N	POS	P/N

WIRE RANGE 総合電線断面積 T1 INSULATION DIA 絶縁外径 T1

THIS DRAWING IS A CONTROLLED DOCUMENT FOR AMP INCORPORATED. IT IS SUBJECT TO CHANGE AND THE CONTROLLING ENGINEERING ORGANIZATION SHOULD BE CONTACTED FOR THE LATEST REVISION.

DIMENSIONS, 単位: 概 mm	TOLERANCES UNLESS OTHERWISE SPECIFIED
	一般公差
	10mm, ±0.2
	30mm, ±0.25
	100mm, ±0.3
	ANGLE: ±0.3°

MATERIAL 材料 △ FINISH 仕上

DWN K. IKEDA 16/MAY/'96
CHK Y. Ishikawa 16/MAY/'96
APVD S. Manabe 17/MAY/'96
PRODUCT SPEC 108-5453
APPLICATION SPEC 114-5206
WEIGHT T1

AMP 日本エー・エム・ピー株式会社
Kawasaki, Japan

NAME 名称 1列 タブ ハウジング
フリーハンギング タイプ
SINGLE ROW TAB HSG (FREE HANGING)
<DYNAMIC D-5200 S>

SIZE A3 CAGE CODE 00779 DRAWING NO 番号 353046

CUSTOMER DRAWING SCALE 尺度 2-1 SHEET 1 OF 1 REV C