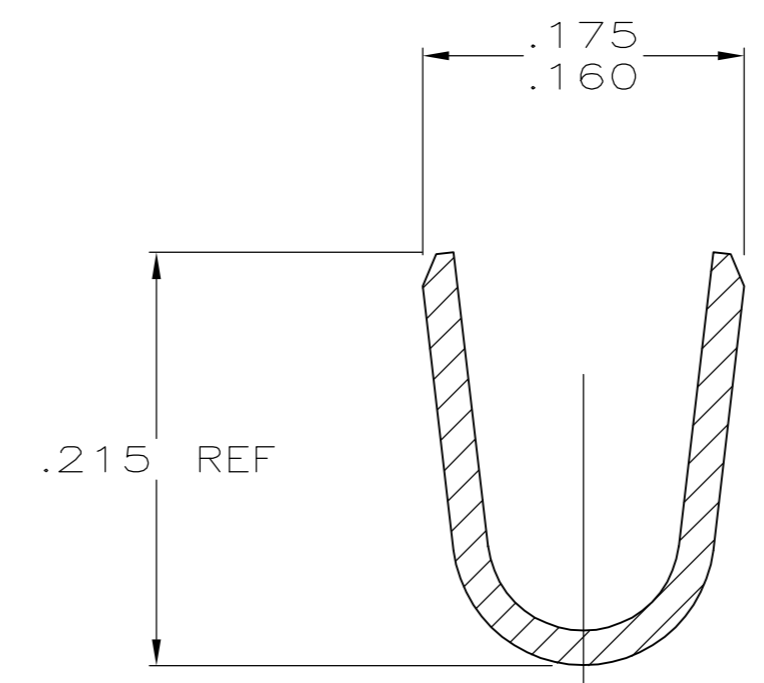
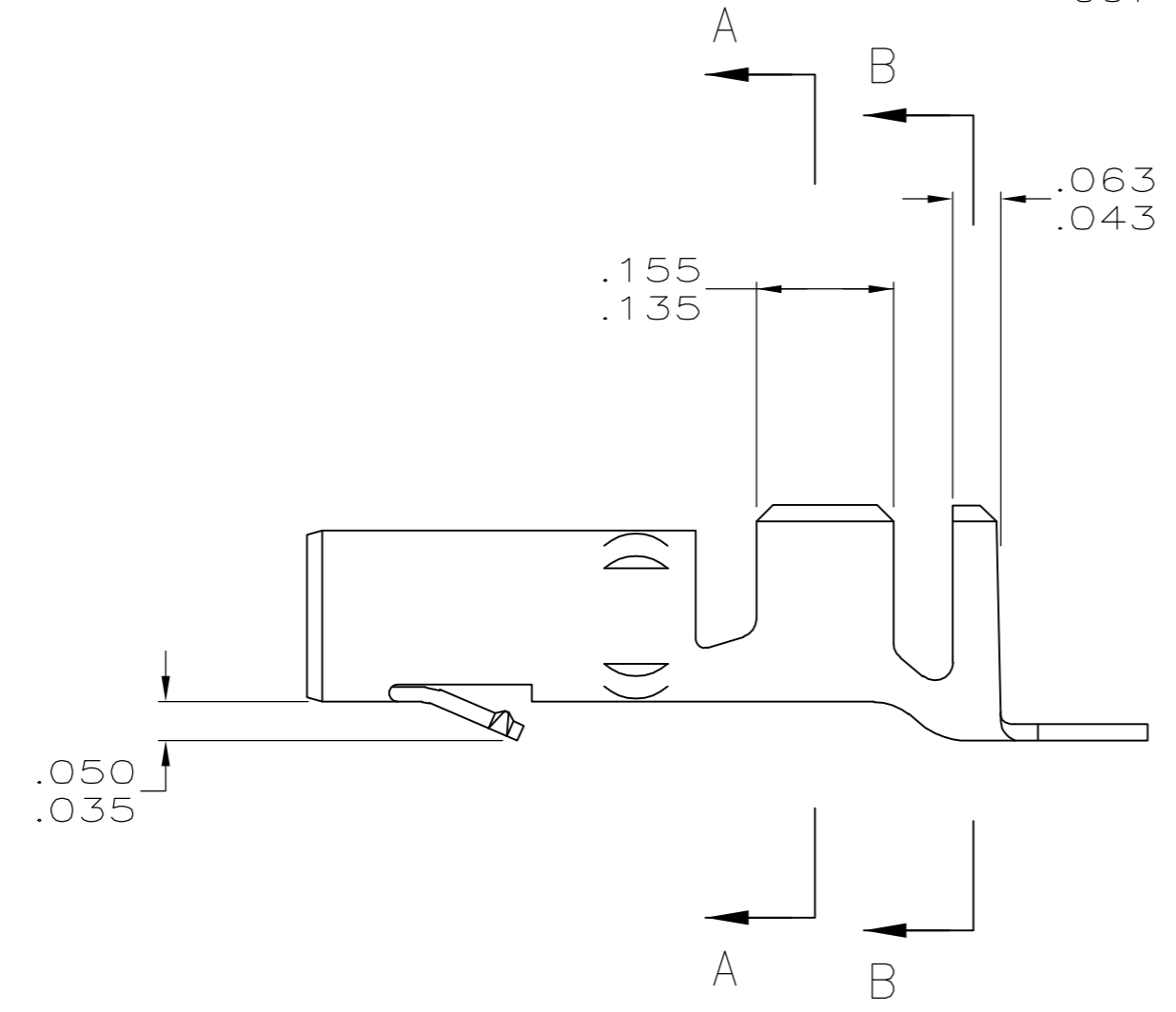
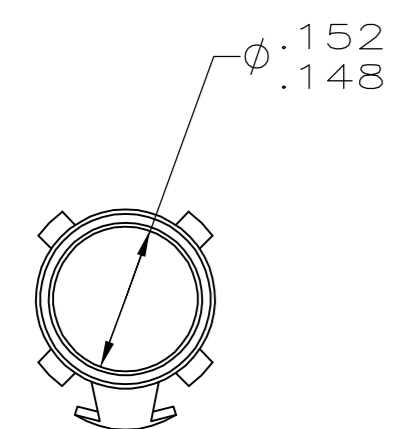
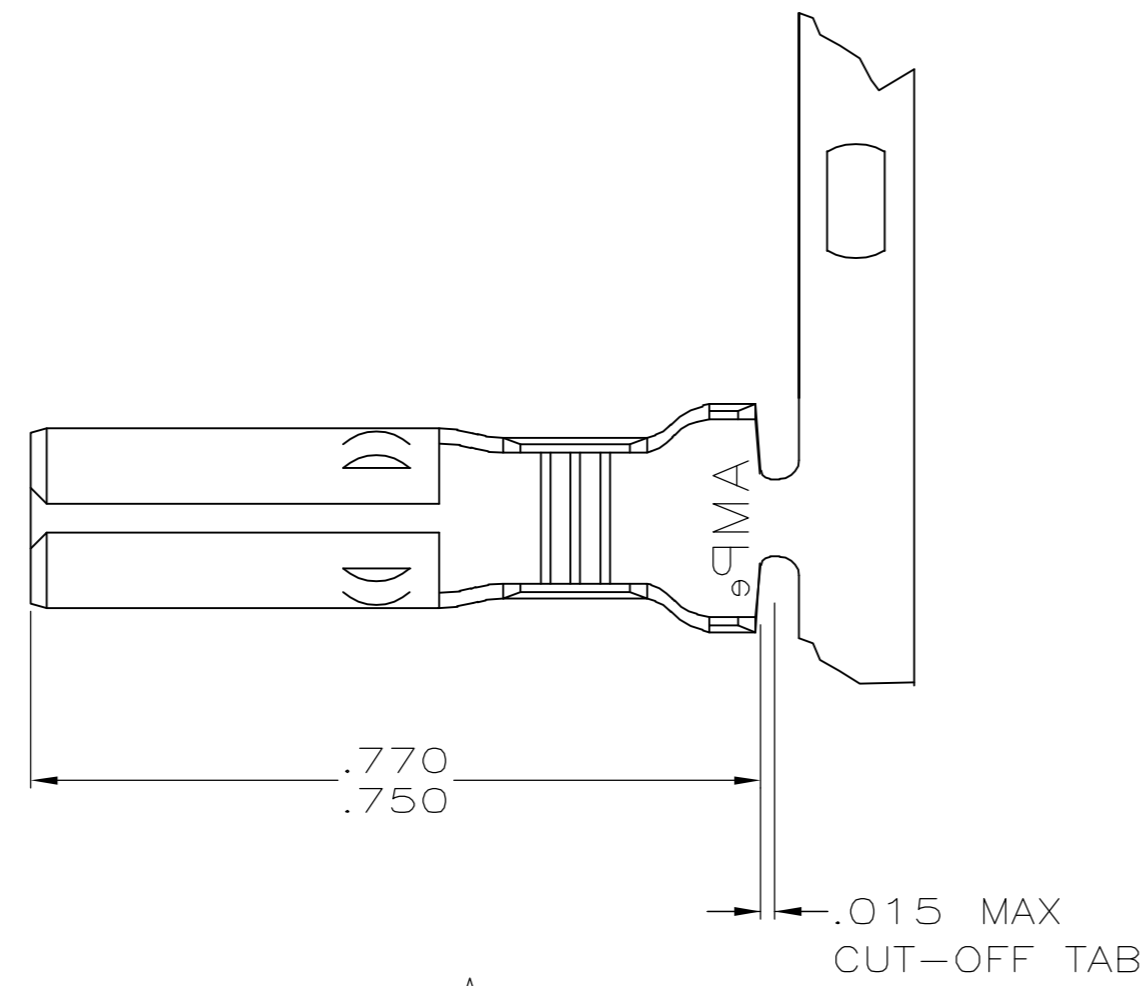


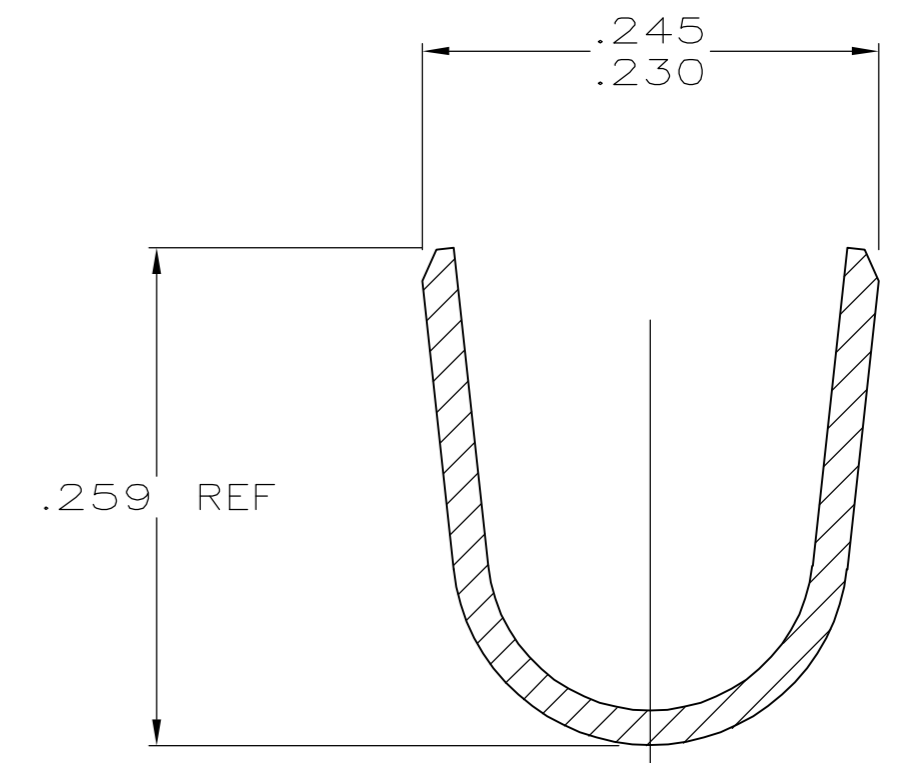
THIS DRAWING IS UNPUBLISHED. RELEASED FOR PUBLICATION  
 © COPYRIGHT BY TYCO ELECTRONICS CORPORATION. ALL RIGHTS RESERVED.

LOC	DIST	REVISIONS					
CM	0	P	LTR	DESCRIPTION	DATE	DWN	APVD
		0		REVISED PER 0G3B-1161-04	25OCT05	KW	DC

1. WIRE RANGE: 12-10 (3-6mm<sup>2</sup>) AWG  
 INSULATION RANGE: .185 MAX.



SECTION A-A  
SCALE 10:1



SECTION B-B  
SCALE 10:1

TIN	.018 COPPER ALLOY	1586486-1
FINISH	MATERIAL	PART NO

IN	MM	IN	MM	IN	MM	IN	MM
.050	1.27	.156	3.96	.245	6.22		
.043	1.09	.155	3.94	.230	5.84		
.035	0.89	.152	3.86	.215	5.46		
.018	0.46	.148	3.76	.185	4.70	.770	19.56
.015	0.38	.135	3.43	.175	4.45	.750	19.05
.005	0.13	.063	1.60	.160	4.06	.259	6.58
IN	MM	IN	MM	IN	MM	IN	MM

CONVERSION TABLE

METRIC

THIS DRAWING IS A CONTROLLED DOCUMENT.

DIMENSIONS: INCHES	TOLERANCES UNLESS OTHERWISE SPECIFIED:	DWN K. WHITAKER 25OCT2005	Tyco Electronics Corporation Harrisburg, PA 17105-3608
	0 PLC ± -	CHK D. COLEY 25OCT2005	
	1 PLC ± -	APVD D. COLEY 25OCT2005	
	2 PLC ± -	PRODUCT SPEC	
	3 PLC ± .005	APPLICATION SPEC	
MATERIAL SEE TABLE	FINISH SEE TABLE	NAME D. COLEY	SIZE A2 CAGE CODE 00779 DRAWING NO C=1586486 RESTRICTED TO - WEIGHT - SCALE 5:1 SHEET 1 of 1 REV 0
CUSTOMER DRAWING			

# Mouser Electronics

Authorized Distributor

Click to View Pricing, Inventory, Delivery & Lifecycle Information:

[TE Connectivity:](#)

[1586486-1](#)