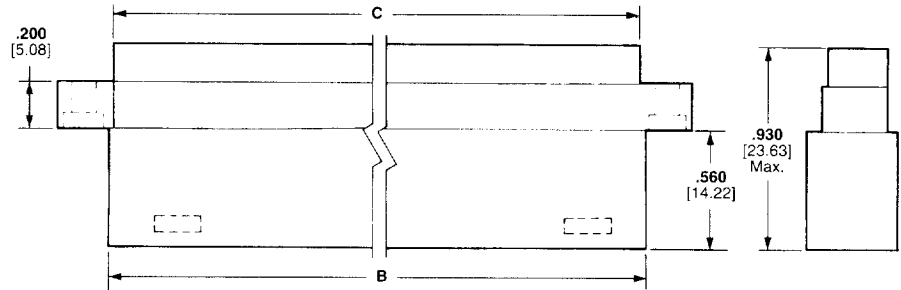


.100 [2.54] Centerline Double Row Pin Housings

Polarized Housings with Detent Windows, Shrouded 4 Sides



With Mounting Ears



Material:

Black thermoplastic, flame retardant, 94V-0 rated

Related Product Data:

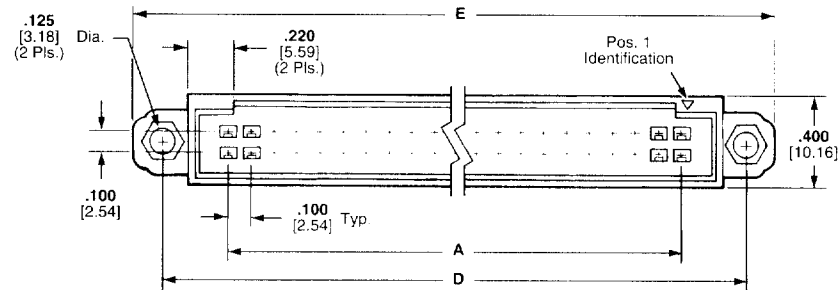
Pin Contacts:

Strip—page 4039
Round Wire—page 4040

Mateable Receptacle Housings—pages 4047 thru 4049

Accessories—
Jackscrews—pages 4053, 4054

Application Tooling—
page 4059

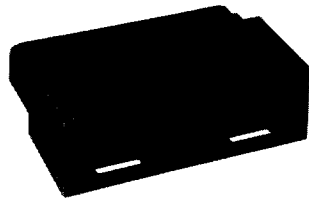
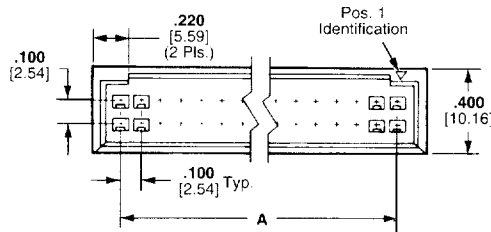
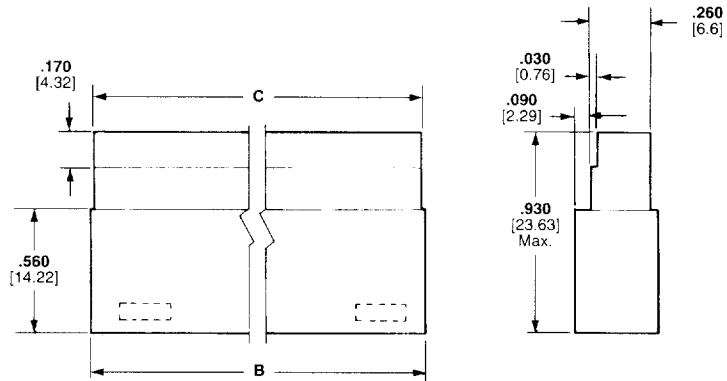


Technical Documents:

Product Specification
108-9024

Application Specification
114-16015

Without Mounting Ears



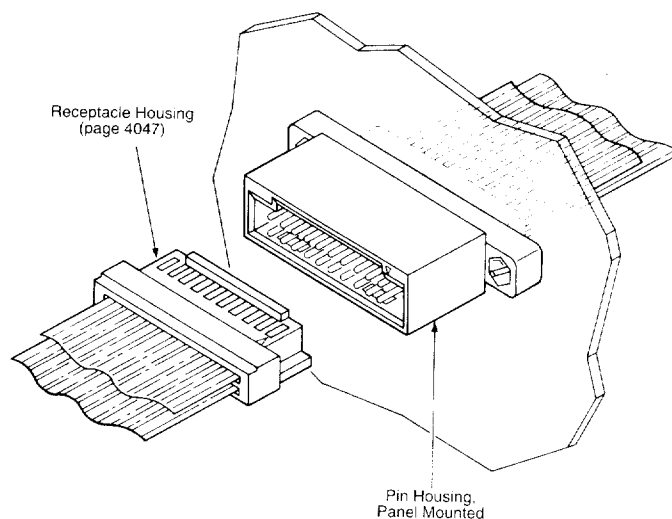
For complete product information, order Catalog 82007

Ribbon and Flexible Flat Cable Products

.100 [2.54] Centerline Double Row Pin Housings

No. of Positions	Dimensions					Pin Housing Part Numbers		Extraction Tool
	A	B	C	D	E	With Mounting Ears	Without Mounting Ears	
6	.200 5.08	.580 14.73	.550 13.97	.810 20.57	1.060 26.92	3-88190-2	3-88189-2	1-91047-9
10	.400 10.16	.780 19.81	.750 19.05	1.010 25.65	1.260 32	3-88190-0	3-88189-0	1-91047-8
12	.500 12.7	.880 22.35	.850 21.59	—	—	—	3-88189-4	—
16	.700 17.78	1.080 27.43	1.050 26.67	1.310 33.27	1.560 39.62	3-88190-4	—	2-91047-6
18	.800 20.32	1.180 29.97	1.150 29.21	1.410 35.81	1.660 42.16	88190-6	88189-4	91047-1
20	.900 22.86	1.280 32.51	1.250 31.75	1.510 38.35	1.760 44.7	88190-8	88189-6	1-91047-0
24	1.100 27.94	1.480 37.59	1.450 36.83	1.710 43.43	1.960 49.78	1-88190-0	88189-8	1-91047-4
26	1.200 30.48	1.580 40.13	1.550 39.37	1.810 45.97	2.060 52.32	1-88190-2	1-88189-0	—
28	1.300 33.02	1.680 42.67	1.650 41.91	1.910 48.51	2.160 54.86	1-88190-4	—	1-91047-5
34	1.600 40.64	1.980 50.29	1.950 49.53	—	—	3-88190-8	3-88189-6	—
38	1.800 45.72	2.180 55.37	2.150 54.61	2.410 61.21	2.660 67.56	88190-2	88189-2	91047-2
40	1.900 48.26	2.280 57.91	2.250 57.15	2.510 63.75	2.760 70.1	1-88190-8	—	91047-5
50	2.400 60.96	2.780 70.61	2.750 69.85	3.010 76.45	3.260 82.8	88190-4	2-88189-0	—
66	3.200 81.28	3.580 90.93	3.550 90.17	3.810 96.77	4.060 103.12	2-88190-6	—	—
70	3.400 86.36	3.780 96.01	3.750 95.25	4.010 101.85	4.260 108.2	—	—	1-91047-2

- Notes:**
1. All housings listed above have no markings, except for AMP and Pos. 1 identification, which are molded into the housing. Housings with special markings can be made available, consult Tyco Electronics.
 2. Housing sizes smaller than 20-position have only one detent window.
 3. Use Extraction Tool Number **91092-1** for round wire contacts.



Typical Cable-to-Cable Application

For complete product information, order Catalog 82007