



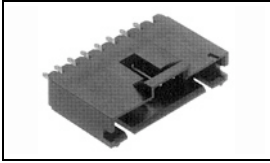
Have a Question?
 Chat with a Product
 Information Specialist

What can we help you find?

[Products](#) |
 [Industries](#) |
 [Resources](#) |
 [About TE](#) |
 [My Account](#) |
 [Innovation](#) |
 [Support Center](#)

103670-9 Product Details

[Share](#) |
 [Print](#) |
 [Email](#)



103670-9

TE Internal Number: 103670-9

Active

View 3D PDF

.100 AMPMODU Headers, Housings & Contacts

Not EU RoHS or ELV Compliant (Find RoHS Compliant Alternates)

Product Highlights:

- Connector
- Header
- Connector Style = Plug
- Contact Type = Pin
- 2.54 mm Centerline

[View all Features](#)

Quick Links

- ▶ [Pricing & Availability](#)
- ▶ [Search for Tooling](#)
- ▶ [View Mating Products \(1\)](#)
- ▶ [Product Feature Selector](#)
- ▶ [Contact Us About This Product](#)

[Add to My Part List](#) |
 [Request Sample](#) |
 [Find Similar Products](#) |
 [Buy Product](#)

Documentation & Additional Information	
<p>Product Drawings:</p> <ul style="list-style-type: none"> • HDR ASSY, VERT, SINGLE ROW 2.54[.100] CL, 0.64[.025]... (PDF, English) <p>Catalog Pages/Data Sheets:</p> <ul style="list-style-type: none"> • AMPMODU_MTE_INTERCONNECT_SYSTEM_QRG_4-1773458-0 (PDF, English) <p>Product Specifications:</p> <ul style="list-style-type: none"> • None Available <p>Application Specifications:</p> <ul style="list-style-type: none"> • AMPMODU MTE Interconnection System (PDF, English) <p>Instruction Sheets:</p> <ul style="list-style-type: none"> • AMP* AMPMODU* MTE CONNECTORS (PDF, English) <p>CAD Files: (CAD Format & Compression Information)</p> <ul style="list-style-type: none"> • 2D Drawing (DXF, Version S) • 3D Model (IGES, Version S) • 3D Model (STEP, Version S) 	<p>Additional Information:</p> <ul style="list-style-type: none"> • Product Line Information <p>Related Products:</p> <ul style="list-style-type: none"> • Tooling • Mating Products (1)

[List all Documents](#)

Product Features (Please use the Product Drawing for all design activity)	
<p>Product Type Features:</p> <ul style="list-style-type: none"> • Product Type = Connector • Connector Type = Header • Post Size (mm [in]) = 0.64 [.025] • PCB Mounting Orientation = Vertical • PCB Mount Style = Through Hole • PCB Mount Retention = With • PCB Orientation Feature = No • Connector Series = MTE <p>Electrical Characteristics:</p> <ul style="list-style-type: none"> • Contact - Rated Current (A) = 3 • Termination Resistance (mΩ) = 15 • Insulation Resistance (MΩ) = 5,000 • Dielectric Withstanding Voltage (V) = 600 <p>Termination Features:</p> <ul style="list-style-type: none"> • Termination Method to Wire/Cable = Crimp, Insulation Displacement Crimp (IDC) <p>Body Features:</p> <ul style="list-style-type: none"> • Row-to-Row Spacing (mm [in]) = 2.54 [0.100] <p>Contact Features:</p> <ul style="list-style-type: none"> • Contact Type = Pin • Contact Plating, Mating Area, Material = Gold (15) • Solder Tail Contact Plating = Tin-Lead • Contact Base Material = Brass 	<p>Housing Features:</p> <ul style="list-style-type: none"> • Connector Style = Plug • Centerline (mm [in]) = 2.54 [0.100] • Mating Alignment = With • Mating Alignment Type = Latched • Housing Color = Black • Housing Material = Thermoplastic - GF <p>Configuration Features:</p> <ul style="list-style-type: none"> • Number of Positions = 10 • Number of Rows = 1 <p>Industry Standards:</p> <ul style="list-style-type: none"> • RoHS/ELV Compliance = Not ELV/RoHS compliant • Lead Free Solder Processes = Wave solder capable to 240°C • UL Flammability Rating = UL 94V-0 • Approved Standards = CSA LR7189, UL E28476 <p>Environmental:</p> <ul style="list-style-type: none"> • Operating Temperature (°C) = -65 - +105 <p>Conditions for Usage:</p> <ul style="list-style-type: none"> • Applies To = Printed Circuit Board <p>Packaging Features:</p> <ul style="list-style-type: none"> • Packaging Method = Tube <p>Other:</p>

- Contact Shape = Square

- Brand = AMP
- Comment = Use Keying Tool No. 91417-1 to remove post for keying.

Corporate Information

- [About TE](#)
- [Investors](#)
- [News Room](#)
- [Supplier Portal](#)
- [Careers](#)
- [Terms & Conditions](#)
- [Privacy Policy](#)
- [AODA Accessibility Policy](#)
- [AODA Multi-Year Accessibility Plan](#)

Quick Links

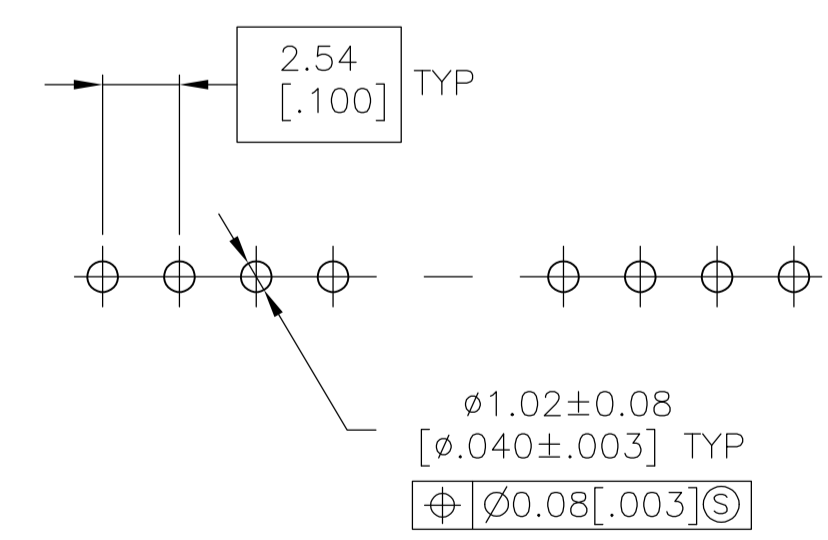
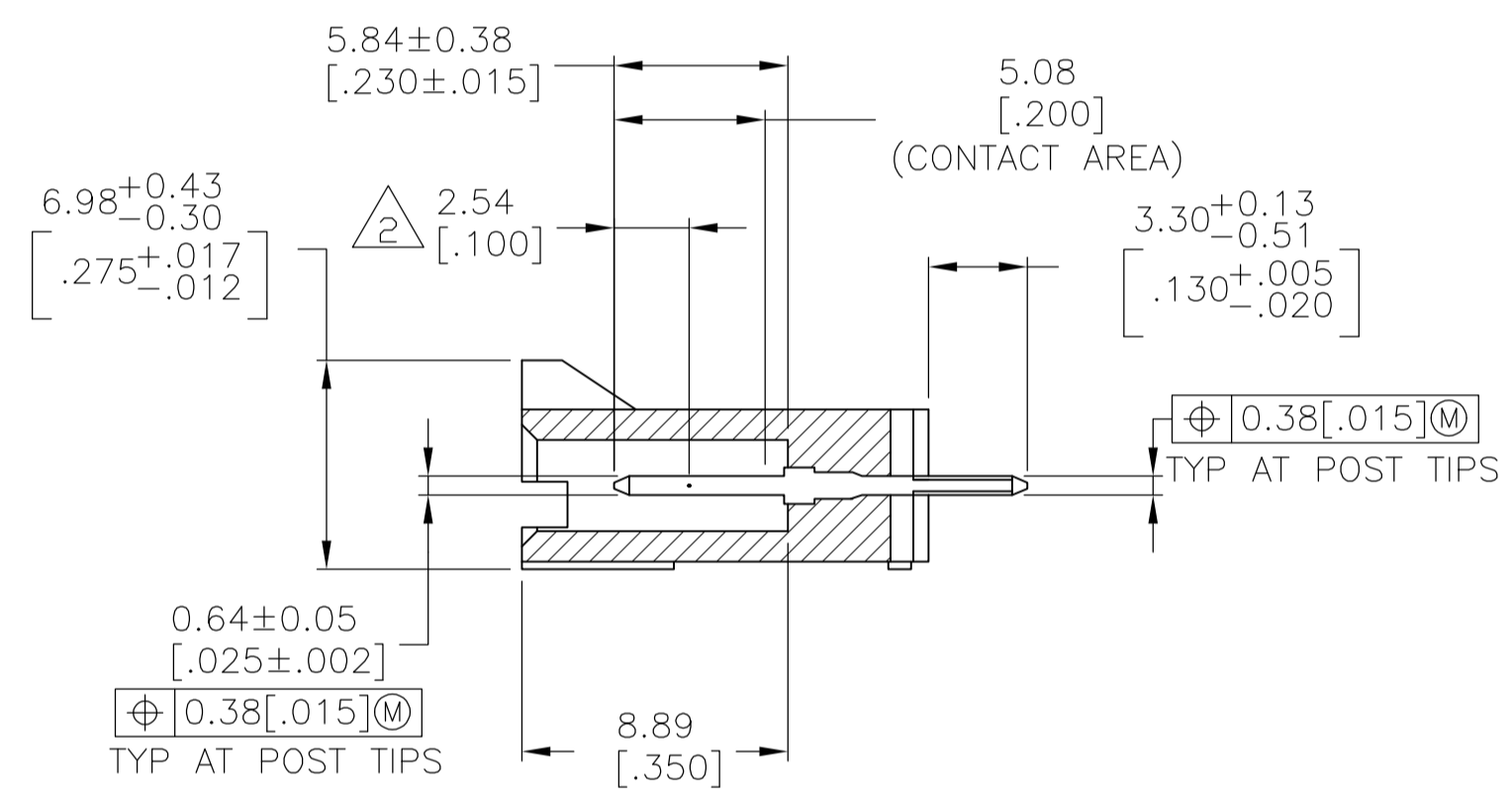
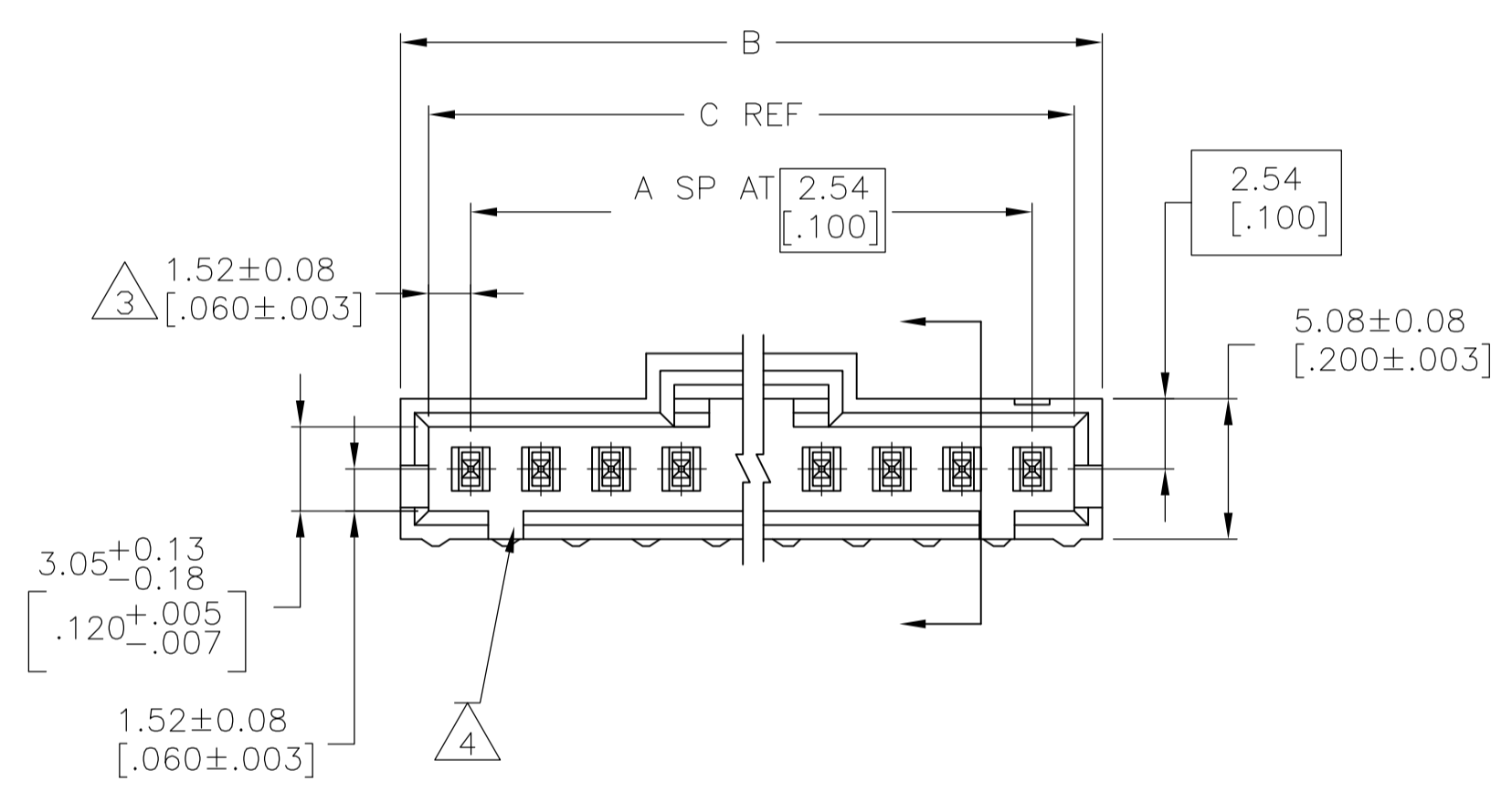
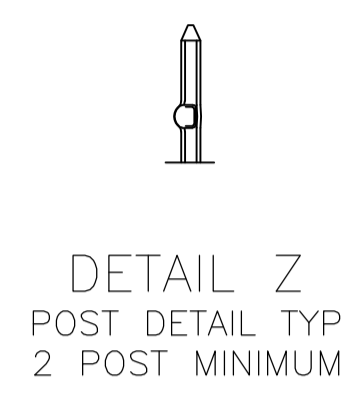
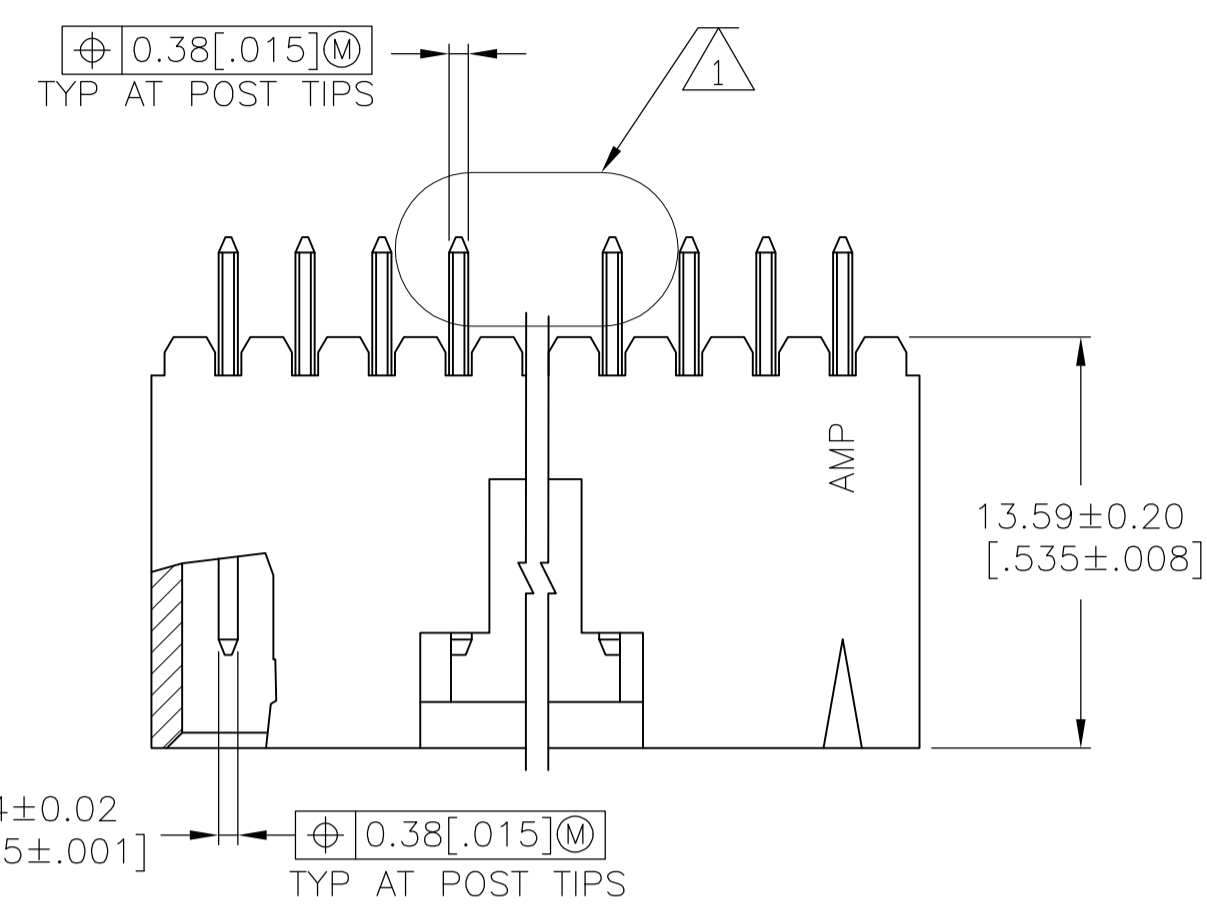
- [Distributor Inventory](#)
- [Product Cross Reference](#)
- [Documents & Drawings](#)
- [Product Compliance Support Center](#)
- [Site Map](#)

Customer Support

- [Email or Chat With Us](#)
- [Find a Phone Number](#)
- [Knowledge Base](#)
- [Manage Your Account](#)

Keep Me Informed





- 1 .00038[.000015] GOLD IN THE CONTACT AREA, .00254[.000100] MATTE TIN-LEAD ON REMAINDER OF CONTACT, ALL OVER .00127[.000050] NICKEL.
- 2 POINT OF MEASUREMENT FOR PLATING THICKNESS.
- 3 THE NOTED DIMENSIONS APPLY AT THE INTERSECTION OF THE POST AND THE HOUSING.
- 4 ON ASSEMBLIES WITH FOUR OR MORE POSITIONS, TWO POLARIZATION SLOTS. ON ASSEMBLIES WITH TWO OR THREE POSITIONS, ONE POLARIZATION SLOT.
- 5 SELECT POST TAILS FORMED TO PROVIDE CONNECTOR HOLD DOWN UNTIL SOLDERED. CONFIGURATION ACCEPTS 0.69[.027]-2.03[.080] THICK PRINTED CIRCUIT BOARD. (SEE DETAIL Z).
- 6 OBSOLETE PARTS: OBSOLETE CIS STREAMLINING PER D.RENAUD/D.SINISI

		64.01 [2.520]	66.04 [2.600]	24	25	2-103670-4
		61.47 [2.420]	63.50 [2.500]	23	24	2-103670-3
	6	58.93 [2.320]	60.96 [2.400]	22	23	2-103670-2
		56.39 [2.220]	58.42 [2.300]	21	22	2-103670-1
	6	53.85 [2.120]	55.88 [2.200]	20	21	2-103670-0
		51.31 [2.020]	53.34 [2.100]	19	20	1-103670-9
	6	48.77 [1.920]	50.80 [2.000]	18	19	1-103670-8
		46.23 [1.820]	48.26 [1.900]	17	18	1-103670-7
		43.69 [1.720]	45.72 [1.800]	16	17	1-103670-6
		41.15 [1.620]	43.18 [1.700]	15	16	1-103670-5
		38.61 [1.520]	40.64 [1.600]	14	15	1-103670-4
		36.07 [1.420]	38.10 [1.500]	13	14	1-103670-3
		33.53 [1.320]	35.56 [1.400]	12	13	1-103670-2
		30.99 [1.220]	33.02 [1.300]	11	12	1-103670-1
		28.45 [1.120]	30.48 [1.200]	10	11	1-103670-0
		25.91 [1.020]	27.94 [1.100]	9	10	103670-9
		23.37 [0.920]	25.40 [1.000]	8	9	103670-8
		20.83 [0.820]	22.86 [0.900]	7	8	103670-7
		18.29 [0.720]	20.32 [0.800]	6	7	103670-6
		15.75 [0.620]	17.78 [0.700]	5	6	103670-5
		13.21 [0.520]	15.24 [0.600]	4	5	103670-4
		10.67 [0.420]	12.70 [0.500]	3	4	103670-3
		8.13 [0.320]	10.16 [0.400]	2	3	103670-2
		5.59 [0.220]	7.62 [0.300]	1	2	103670-1
		C	B	A	NO OF POSN	PART NO.

THIS DRAWING IS A CONTROLLED DOCUMENT.

DIMENSIONS: mm [INCHES]	TOLERANCES UNLESS OTHERWISE SPECIFIED:	0 PLC ± -	1 PLC ± -	2 PLC ± 0.13[.005]	3 PLC ± -	4 PLC ± -	ANGLES ± -	FINISH
								1

MATERIAL: HOUSING: FLAME RETARDANT THERMOPLASTIC. COLOR - BLACK. CONTACTS: BRASS.

APPROVED: M. RIDER. DATE: 2-14-92. NAME: M. RIDER. DATE: 2-14-92.

PRODUCT SPEC: 108-25034. APPLICATION SPEC: 114-25026.

SIZE: A1. CAGE CODE: 00779. DRAWING NO: 103670. WEIGHT: -. SCALE: 4:1. SHEET: 1 OF 1. REV: S2.

STE TE Connectivity. HDR ASSY, VERT, SINGLE ROW. 2.54[.100] CL, 0.64[.025] SQ POST, WITH PLZN & RETENTIVE POSTS, AMPMODU MTE.