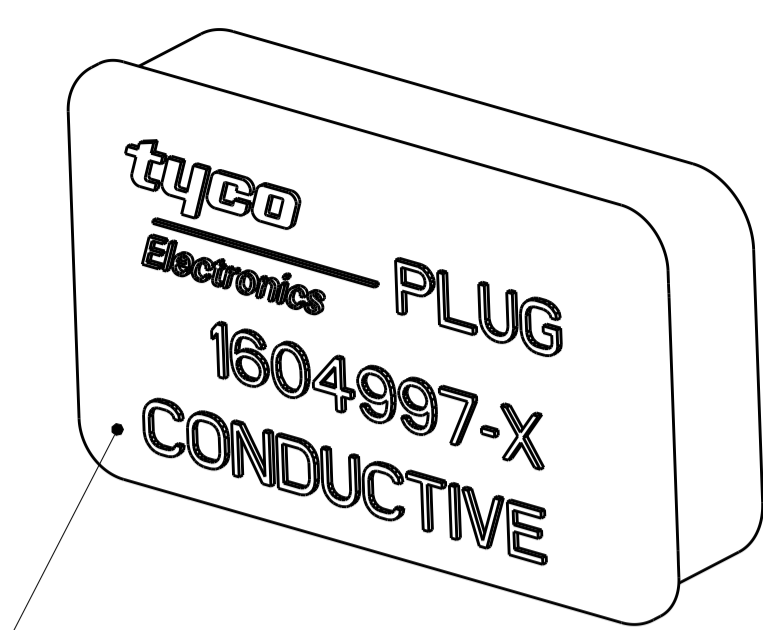
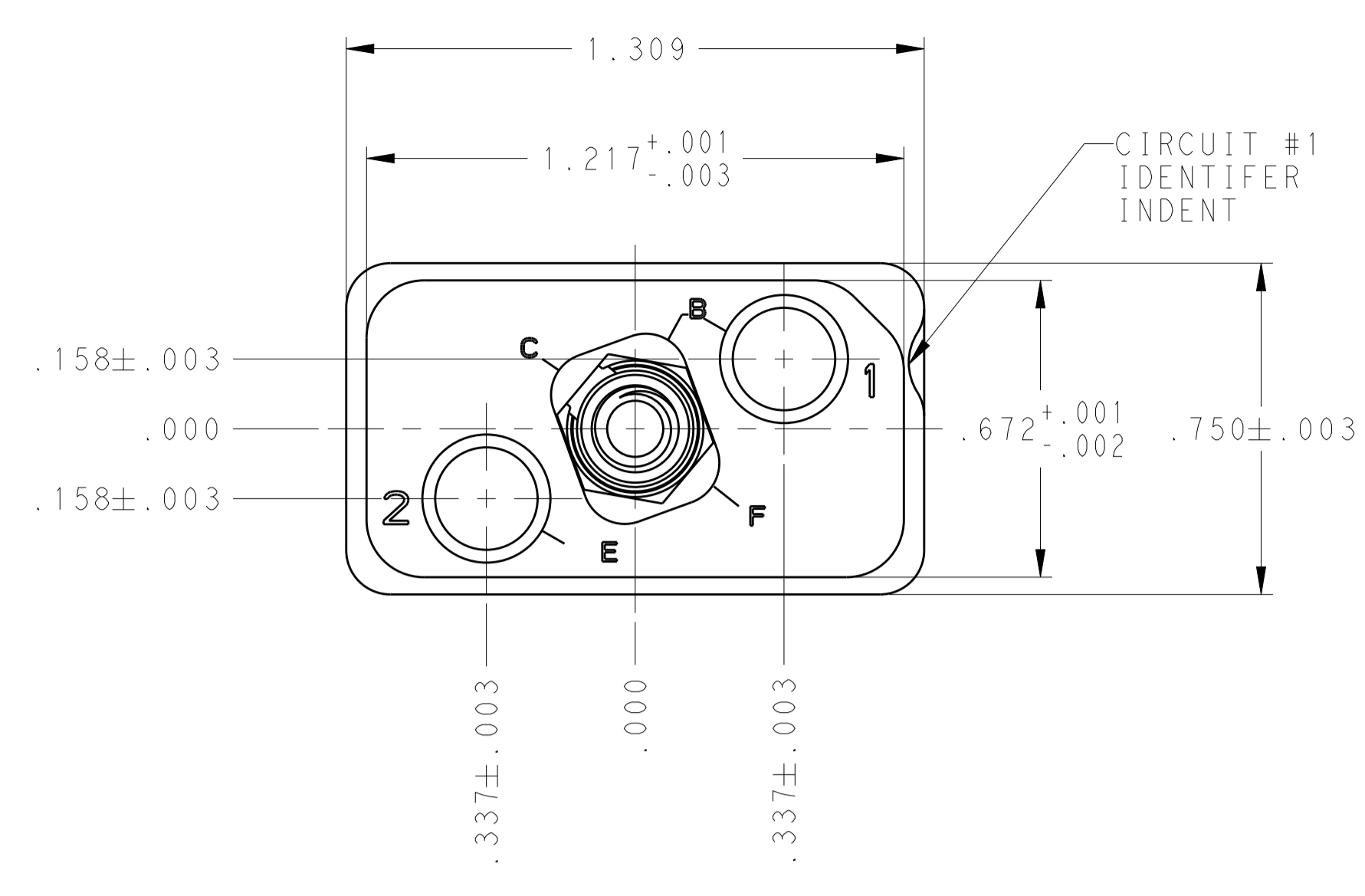
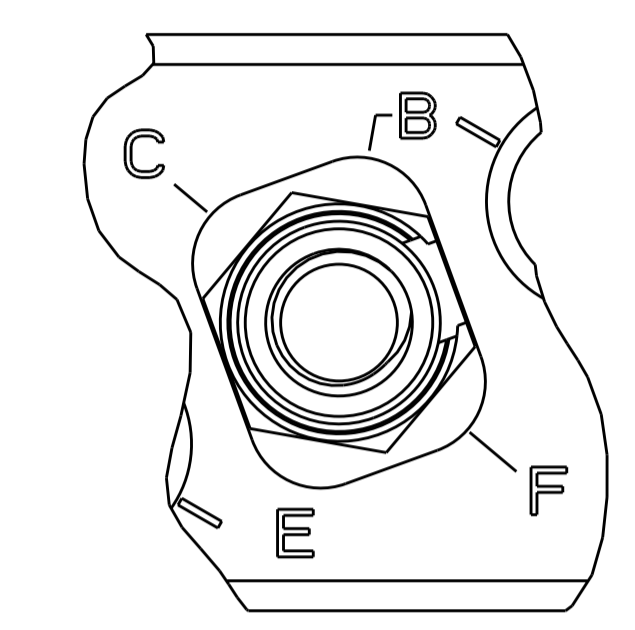


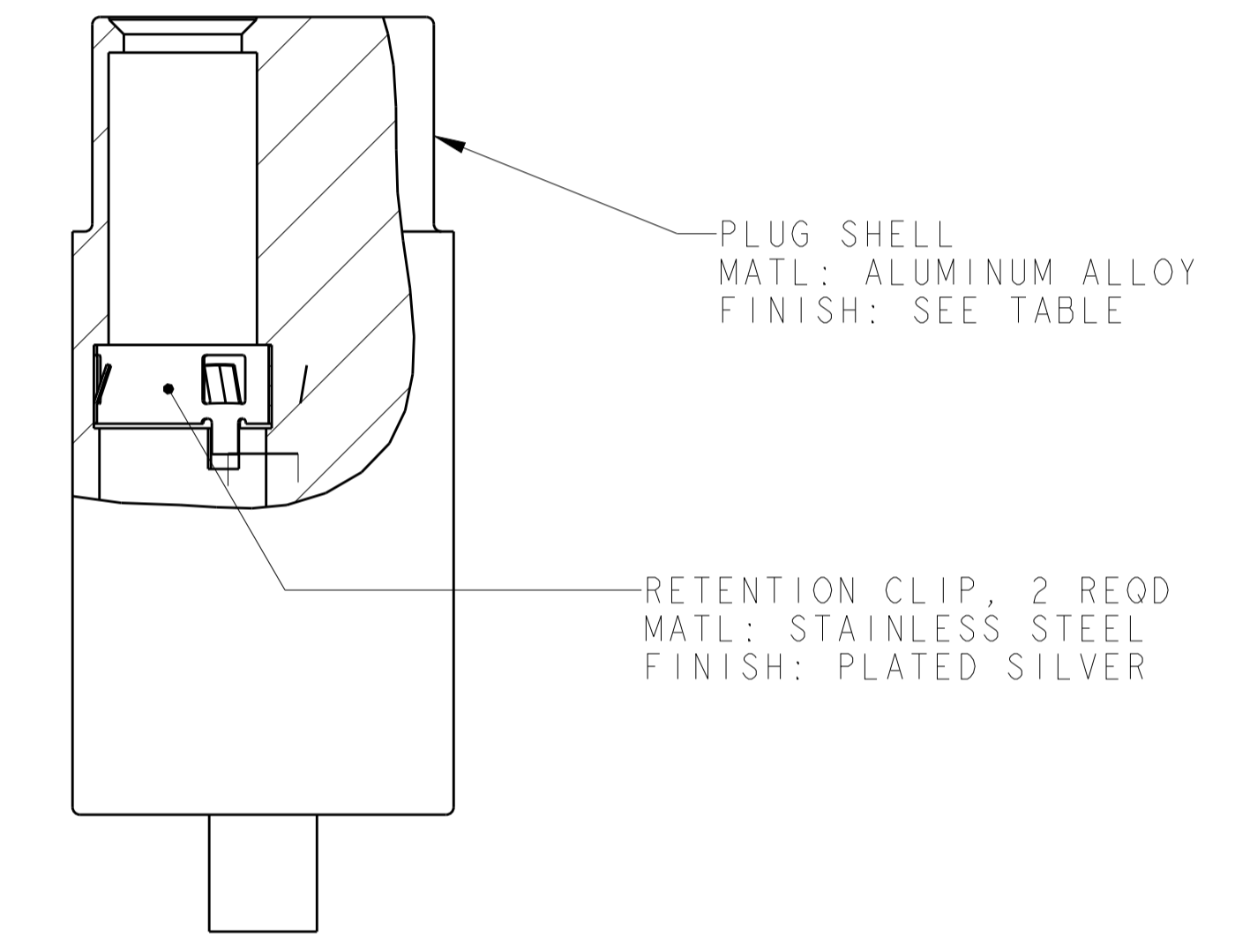
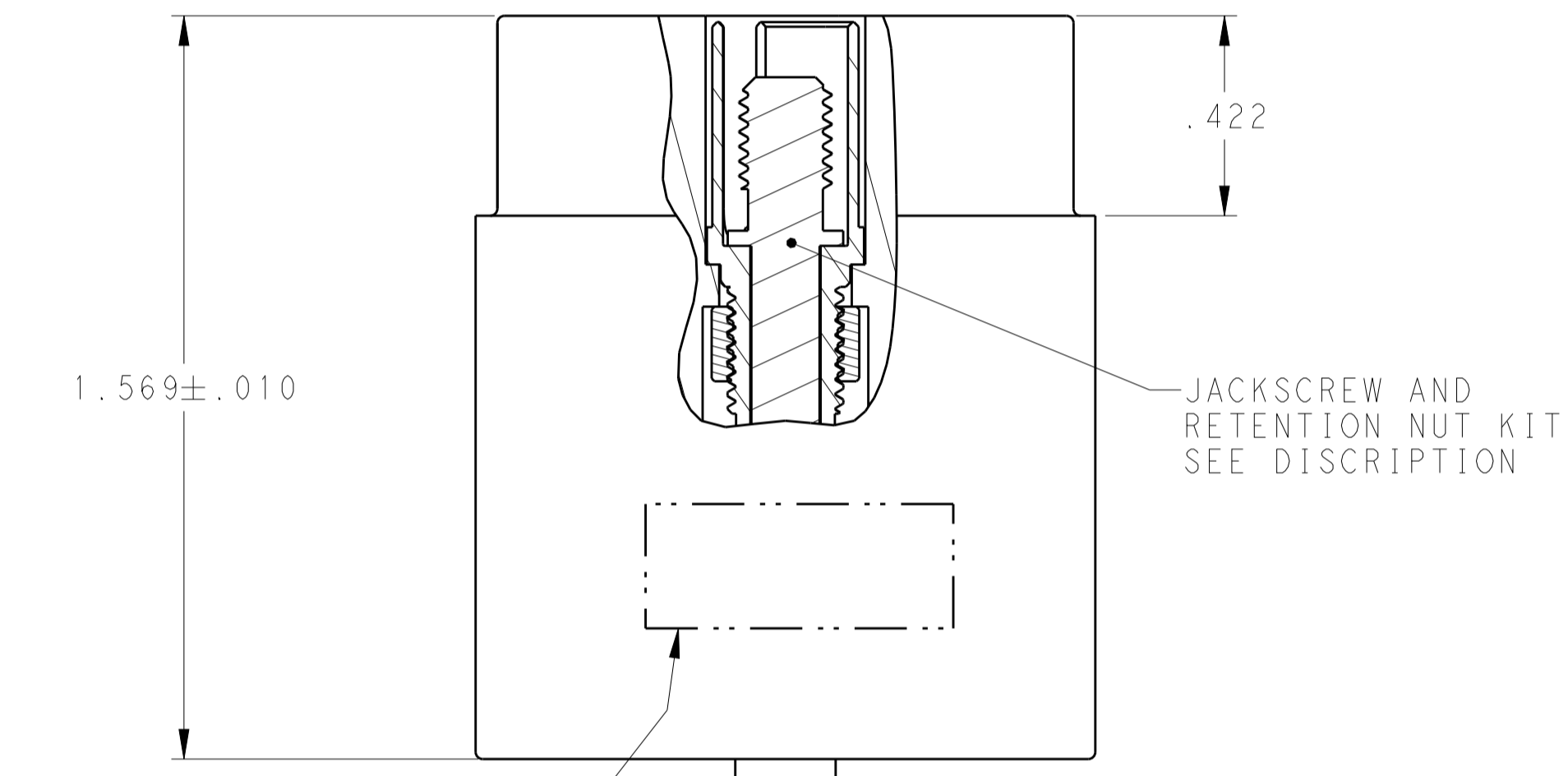
LOC		DIST		REVISIONS			
P	LTN	DESCRIPTION	DATE	DWN	APVD		
H		REV PER ECO 13-008491	6-3-13	CT	DM		



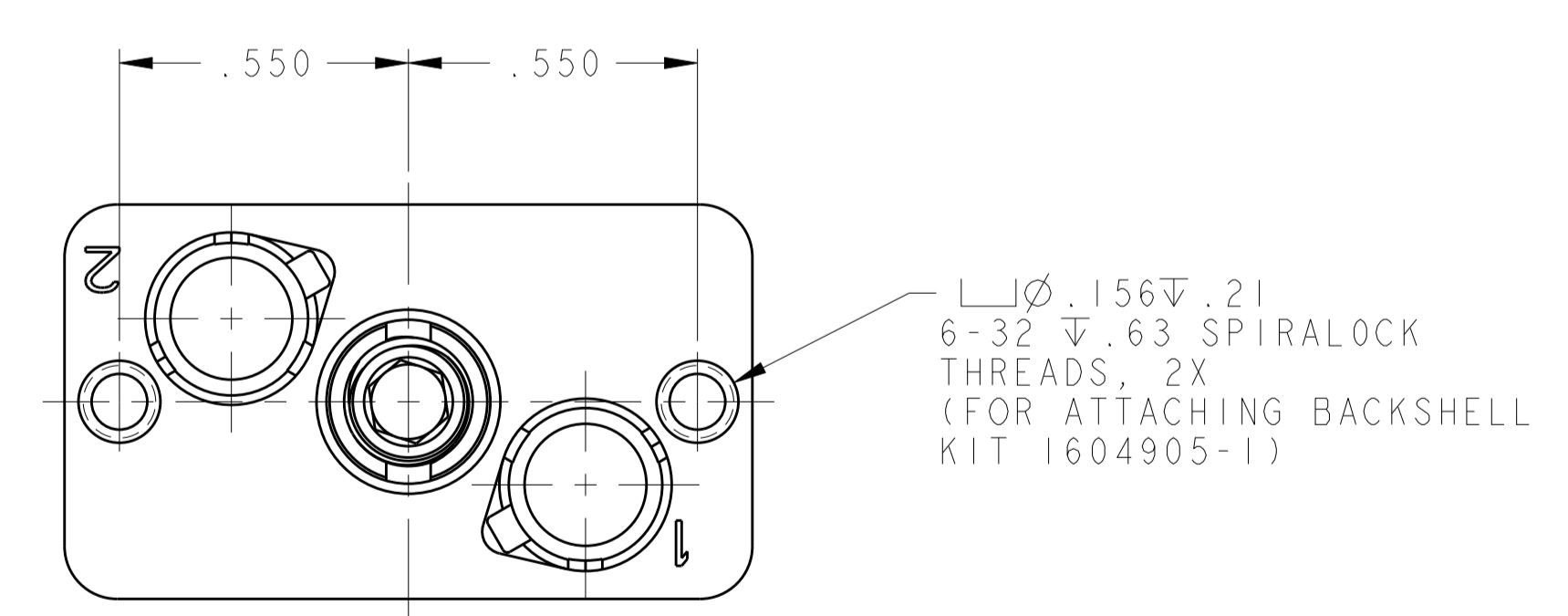
ESD DUST COVER; INSTALLED ON ALL DASH NUMBERS



PLZN CODE A SHOWN FOR REFERENCE
SCALE 4:1



TE LOGO, DATE CODE AND EITHER CUSTOMER OR TE PART NUMBER (PER TABLE) MARKED APPROX AS SHOWN ON NEAR OR FAR SIDE)



1445693-4	ELECTROLESS NICKEL	BACC65BC2N	WITH JACKSCREW-RETENTION NUT KIT (FLAT POLARIZATION)	1604898-9	
1445693-4	ELECTROLESS NICKEL	BACC65BC2NC	JACKSCREW ASSEMBLED PLZN CODE C	1604898-8	
1445693-4	ELECTROLESS NICKEL	BACC65BC2NB	JACKSCREW ASSEMBLED PLZN CODE B	1604898-7	
1445693-3	ELECTROLESS NICKEL	---	JACKSCREW ASSEMBLED PLZN CODE A	1604898-6	
1445693-3	ELECTROLESS NICKEL	---	WITH JACKSCREW-RETENTION NUT KIT (FLAT POLARIZATION)	1604898-5	
OBSOLETE	1445693-4	BLACK ANODIZED	BACC65BC2A	WITH JACKSCREW-RETENTION NUT KIT (FLAT POLARIZATION)	1604898-4
OBSOLETE	1445693-2	---	---	WITH JACKSCREW-RETENTION NUT KIT (FLAT POLARIZATION)	1604898-2
RECOMMENDED CONTACT WITH WIRE SEAL	SHELL FINISH	BOEING PART NUMBER	DESCRIPTION	PART NO.	

SUPERSEDED BY 1604898-5

⚠ JACKSCREW-RETENTION NUT KIT IS UNASSEMBLED TO CONNECTOR ASSY. KIT IS PACKAGED IN SEALED BAG.

2. 1604898-5 THRU -9 HOUSING CONFIGURATION (ONE PIECE) SHOWN.

THIS DRAWING IS A CONTROLLED DOCUMENT. DWN: Brent D. Toth, 06OCT2004. CHK: W.H. BERNHART, 06OCT2004. APVD: W.H. BERNHART, 06OCT2004.

TE Connectivity

PLUG ASSEMBLY, QUADRAX, FREE HANGING, RR/RR, 2 POSITION

SIZE: A1, CAGE CODE: 1604898, DRAWING NO: 1604898-5

SCALE: 3:1, SHEET: 1 OF 1, REV: H

Mouser Electronics

Authorized Distributor

Click to View Pricing, Inventory, Delivery & Lifecycle Information:

[TE Connectivity:](#)

[1604898-5](#)