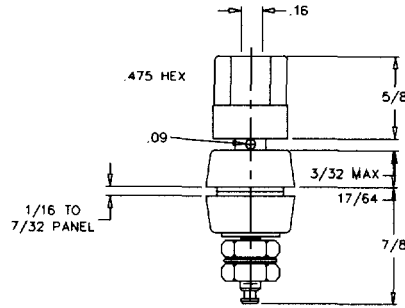


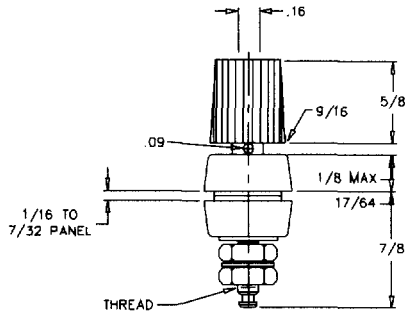
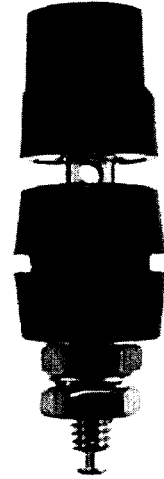
# INSULATED BINDING POSTS

- ◆ Post head is molded Lexan Polycarbonate, hex or fluted. Captivated to prevent loss.
- ◆ Body is brass with gold or tin plating as indicated.
- ◆ Insulated washers are molded polycarbonate and completely insulate post from panel. Keyed to panel and body to prevent rotation.
- ◆ Body mounts in 3/8" or 1/2" round or "D" hole for anti-rotation, (see diagram.)
- ◆ Connects with .080" phone tip plug, 1/4" spade lug, standard banana plug, alligator clip or wire (to #14.)
- ◆ To connect circuit, wrap wire around solder turret or attach to solder lug between nuts. (Lug not supplied.)
- ◆ Please refer to Table A on page 26 for post rating information.
- ◆ All posts shown here are available in standard red (-102) and black (-103.) Other colors are available from factory. Please add color to part number as suffix.

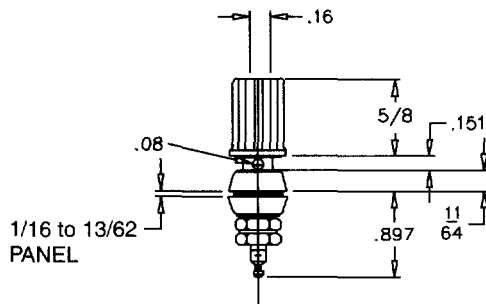
PART NO.	FIG.	HEAD SHAPE	POST THREAD	PLATING	
257	A	Hex	10-32	Gold	
257N			8-32		
899			10-32		
899N	B	Fluted	8-32	Tin	
459			10-32	Gold	
459N			8-32		
799	C	Fluted	10-32	Tin	
799N			8-32	Gold	
1275	C	Fluted	6-32		Tin
1275N			8-32		
1517			6-32		
1514			8-32		



A



B



C



BINDING POSTS

## BASE INSULATORS

- ◆ Use these molded Polycarbonate insulators to convert single posts to dual as indicated in table. Available in black.

PART NO.	MOUNTING HOLE DIA.	LENGTH	HEIGHT	CONVERTS
1814-5	3/8	1-7/32	5/32	1517
207-03	1/2	1-3/8	17/64	257

