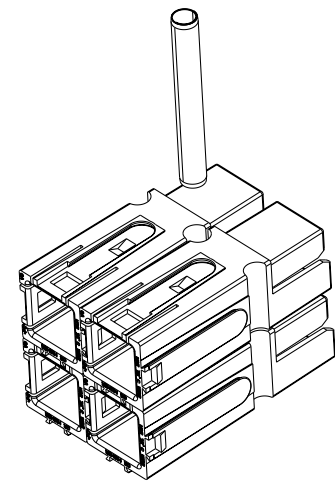
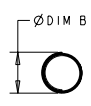
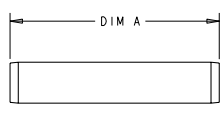
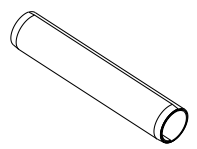


THIS DRAWING IS UNPUBLISHED. RELEASED FOR PUBLICATION
 COPYRIGHT © BY ALL RIGHTS RESERVED.

REV	DESCRIPTION	DATE	BY	APPV
P	REVISED PER ECO-11-005140	20MAR2011	AK	HMA



TYPICAL USES

⚠ OBSOLETE PARTS: OBSOLETE CIS STREAMLINING PER D.RENAUD/D.SINISI

Ø DIM B	DIM A	PART NUMBER
2.36-2.51	21.59	1445886-6
2.51-2.69	11.18	1445886-5
2.49-2.62	6.35	1445886-4
5-5.25	38.10	1445886-3
5-5.25	25.40	1445886-2
5-5.25	14.22	1445886-1

⚠ OBSOLETE



THIS DRAWING IS A CONTROLLED DOCUMENT. DWN: 150C101
 CHN: 150C101
 CRR: 150C101
 APPV: 150C101

TE Connectivity
RETAINER PIN, POWER PRODUCT

MATERIAL: 302 STAINLESS STEEL FINISH: PASSIVATED WEIGHT: -
 CUSTOMER DRAWING

SIZE: A2 CASE CODE: 00779 DRAWING NO: 1445886
 SCALE: 3:1 SHEET 1 OF 1 REV P