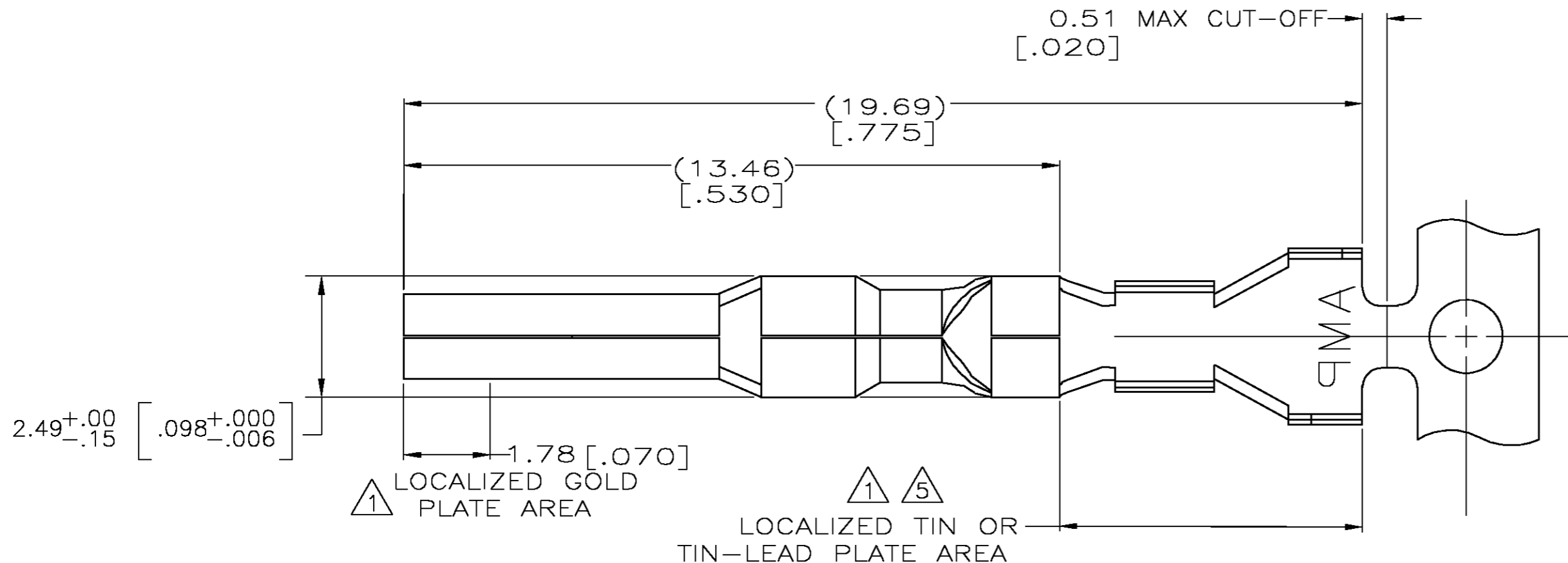
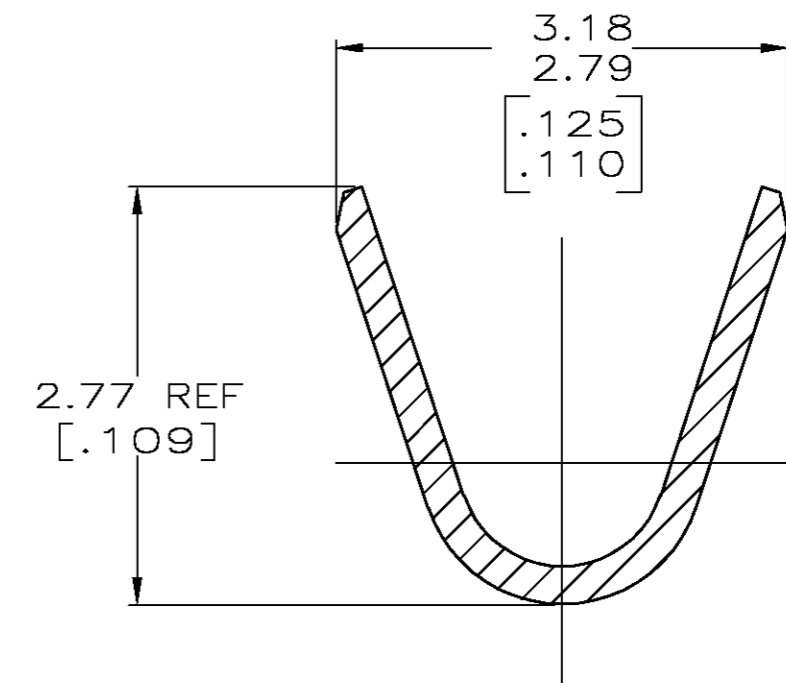
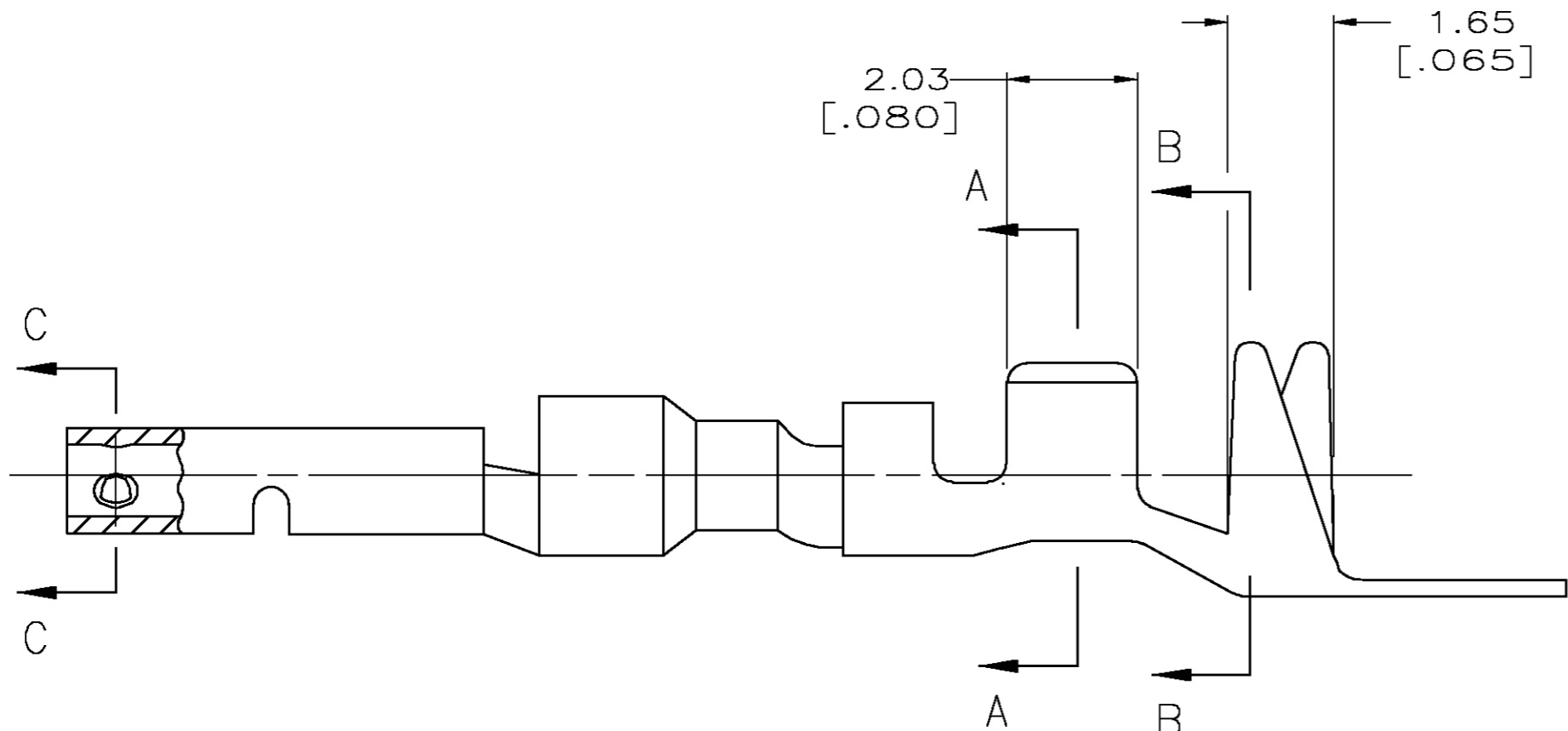


THIS DRAWING IS UNPUBLISHED. RELEASED FOR PUBLICATION  
 © COPYRIGHT BY TYCO ELECTRONICS CORPORATION. ALL RIGHTS RESERVED.

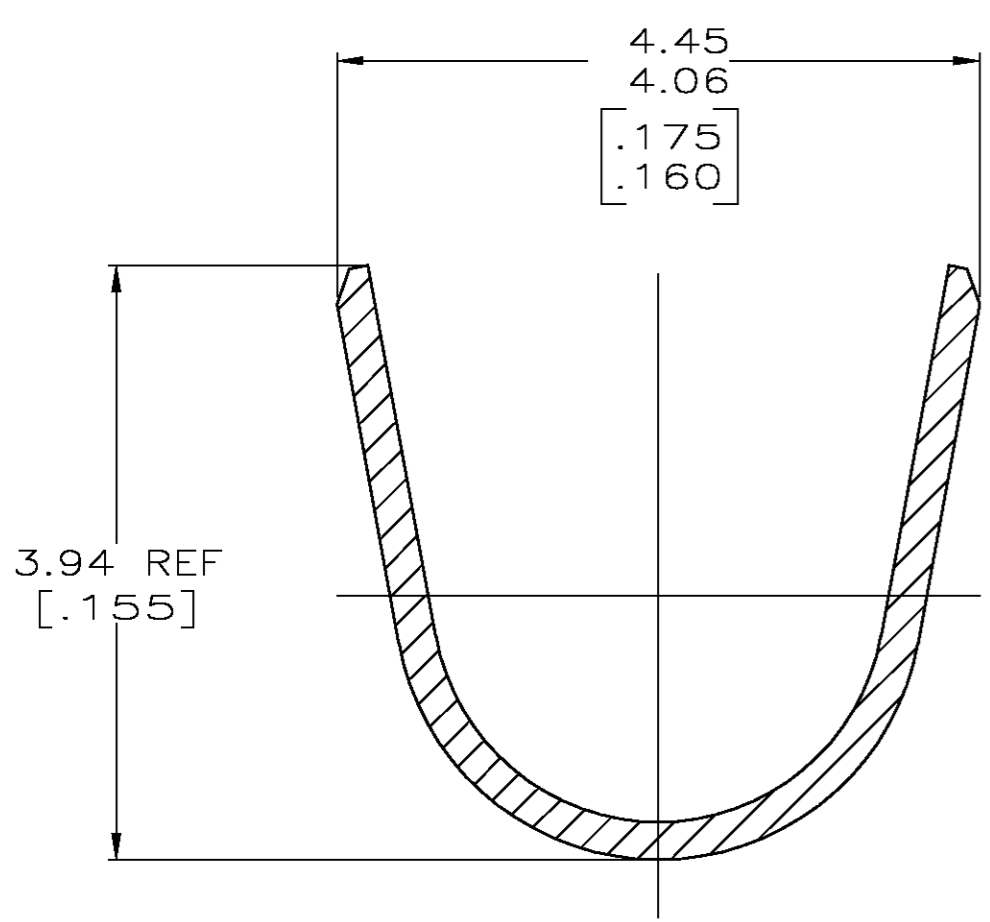
LOC		DIST		REVISIONS			
P	LTR	DESCRIPTION		DATE	DWN	APVD	
CM	00	G		REVISED PER EC 0G3B-0387-03	21MAY03	SC	CJ



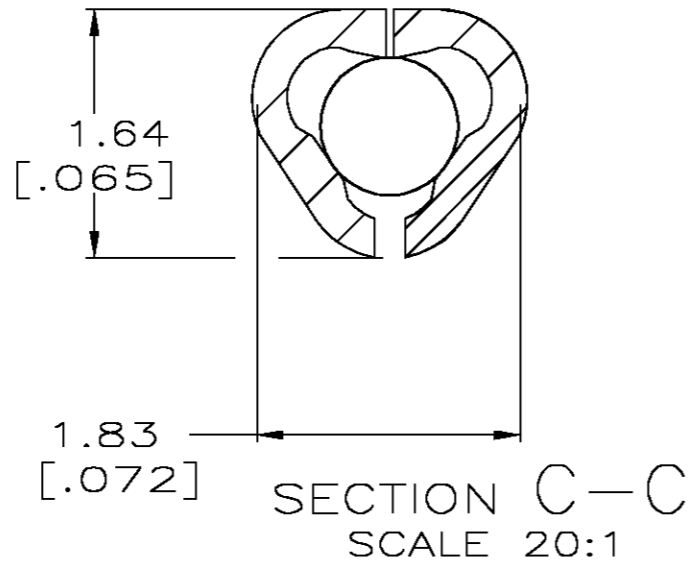
- △ 0.00076 [.000030] MIN GOLD IN LOCALIZED GOLD PLATE AREA AND 0.00254-0.00635 [.000100-.000250] BRIGHT TIN-LEAD IN LOCALIZED TIN-LEAD PLATE AREA OVER 0.00127 [.000050] MIN NICKEL.
- 2. WIRE RANGE: 0.5-1.4MM<sup>2</sup> (20-16 AWG).
- 3. INSULATION RANGE: 2.01-3.20 [.079-.126] DIA.
- 4. DIMENSIONS IN BRACKETS ARE IN INCHES.
- △ 5 0.00076 [.000030] MIN GOLD IN LOCALIZED GOLD PLATE AREA AND 0.00254-0.00635 [.000100-.000250] BRIGHT TIN IN LOCALIZED TIN PLATE AREA OVER 0.00127 [.000050] MIN NICKEL.



SECTION A-A  
SCALE 20:1



SECTION B-B  
SCALE 20:1



SECTION C-C  
SCALE 20:1

△ 5	0.25 [.010] BRASS	1-794223-0
△ 1	0.25 [.010] BRASS	794223-3
PRE-TIN	0.25 [.010] BRASS	794223-1

THIS DRAWING IS A CONTROLLED DOCUMENT.		DWN S. CARPENTER 21MAY2003	Tyco Electronics Corporation Harrisburg, PA 17105	
DIMENSIONS: INCHES		CHK C. JONES 21MAY2003	NAME C. JONES	
TOLERANCES UNLESS OTHERWISE SPECIFIED: 0 PLC ± 1 PLC ± 2 PLC ± 3 PLC ± 0.15 [.006] 4 PLC ± ANGLES ±		APVD C. JONES 21MAY2003	PRODUCT SPEC	
MATERIAL SEE TABLE		FINISH SEE TABLE	APPLICATION SPEC	RESTRICTED TO
WEIGHT		SIZE A2	CAGE CODE 00779	DRAWING NO C=794223
CUSTOMER DRAWING		SCALE 10:1	SHEET 1 OF 1	REV G

794223