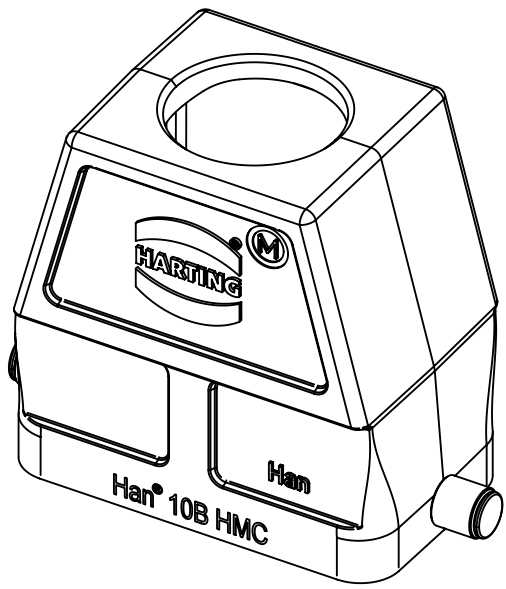
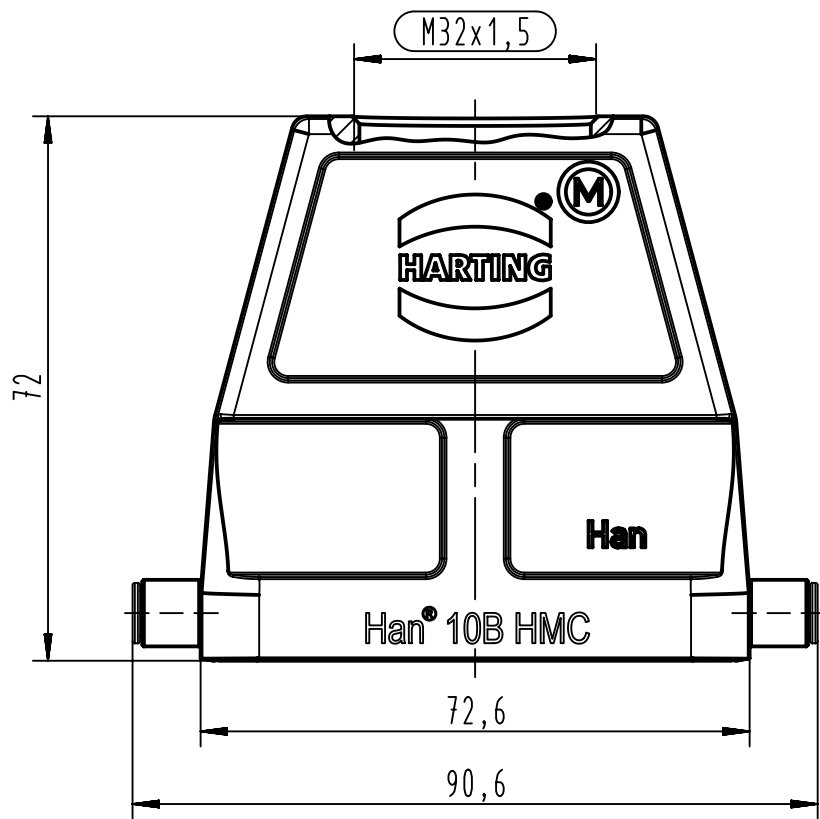


1 2 3 4 5 6

A
B
C
D



	All Dimensions in mm Original Size DIN A4	Scale 1:1		Free size tol.		Ref.	
						Sub.	
	All rights reserved Department EL PD - DE	Created by SCHULZI	Inspected by BERGHORN	Standardisation SCHMIDTM	Date 2013-01-17	State Final Release	
		Title Han 10B-HMC-gg-R-M32					Doc-Key / ECM-Nr. 100521625/UGD/002/A
HARTING Electric GmbH & Co. KG D-32339 Espelkamp		Type TB	Number 19 30 210 0447			Rev. A	Page 1/1

Mouser Electronics

Authorized Distributor

Click to View Pricing, Inventory, Delivery & Lifecycle Information:

[HARTING:](#)

[19302160548](#)