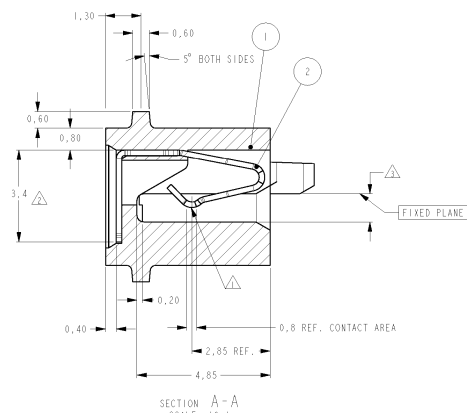
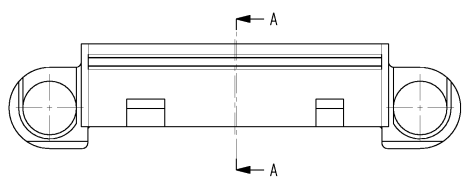
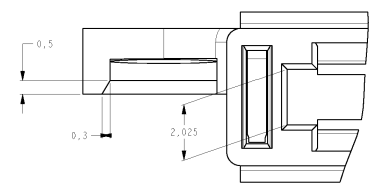
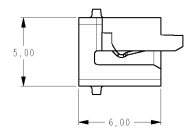
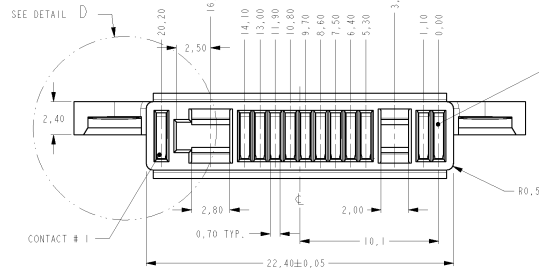
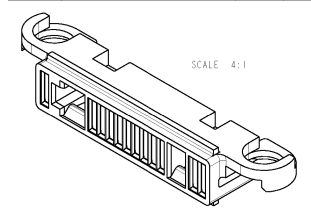
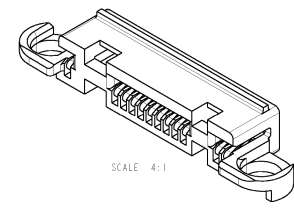
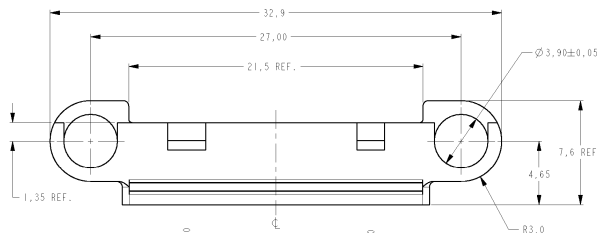
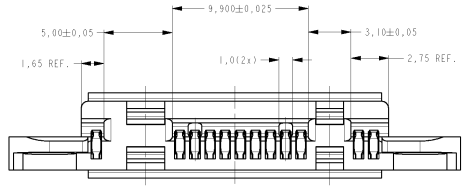


THIS DRAWING IS UNPUBLISHED
 COPYRIGHT BY TYCO ELECTRONICS NEDERLAND B.V. ALL RIGHTS RESERVED. DATE: -

LOC	DIST	REV	REVISION RECORD	DATE	BY/CD
H	-	A	EH00-1620-99	22 OCT 99	CvT
		B	EH00-0219-01	06 MBT 01	JvdH
		C	EH01-1440-03	28 NOV 03	RD



- DETAIL D
SCALE 10:1
- NOTES:
- △ 0,2 µm MIN. GOLD OVER 1,3 µm MIN. NICKEL IN CONTACT AREA.
 - △ 0,8 µm MIN. GOLD OVER 1,3 µm MIN. NICKEL IN CONTACT AREA.
 - △ 0-338966-9 SUITABLE FOR PCB THICKNESS 0,9 +/- 0,1 mm.
 - △ 1-338966-2 SUITABLE FOR PCB THICKNESS 1,2 +/- 0,1 mm.
- 4 APPLICABLE PERFORMANCE REQUIREMENTS:
SEE AMP PRODUCT-SPECIFICATION 108-19184
 - 5 APPLICATION REQUIREMENTS:
SEE AMP APPLICATION-SPECIFICATION 114-19060.
 - 6 PRODUCTS ARE PACKAGED AS FOLLOWS:
250 PCS. IN A PLASTIC BAG. (BULK)
1 PLASTIC BAG IN AN INTERNAL BOX.
10 INTERNAL BOXES IN A SHIPPING BOX.
(OUTSIDE DIMENSIONS: 356 X 305 X 152 mm).



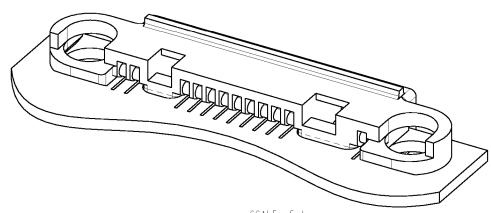
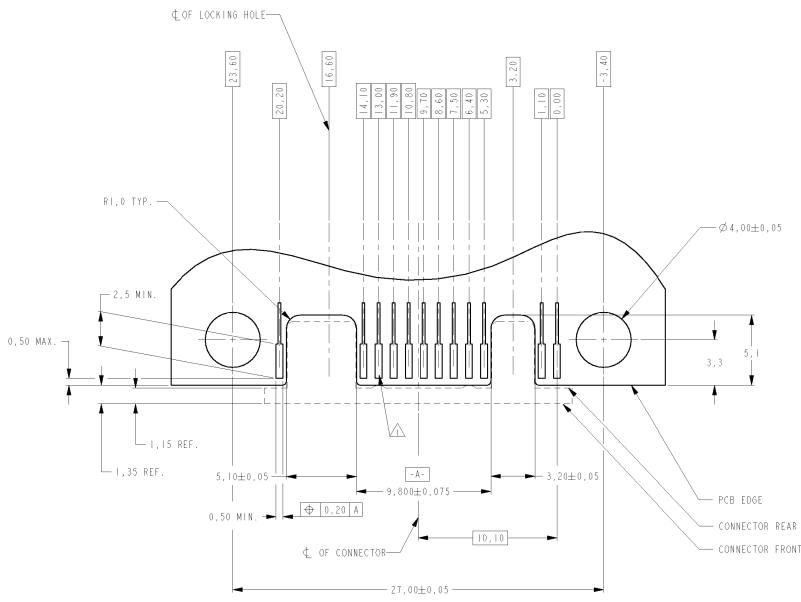
ORDER NUMBER X-338966-X △

ITEM NO.	DESCRIPTION	MATERIAL	FINISH
2	IN-PHONE CONTACT	COPPER ALLOY	GOLD PLATED/△
1	SYSTEM CONN. HOUSING	LCP, 30% GF, UL 94 V-0	BLACK

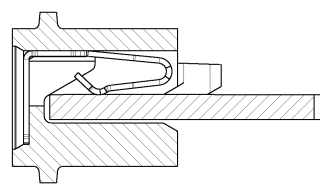
DATE: J.V.D.HEIJDEN, 10 APR 99	BY: J.V.D.HEIJDEN, 10 APR 99	SCALE: 5:1	SHEET: 1 of 2	REV: c
AMP TYCO ELECTRONICS NEDERLAND B.V. 's-HERTOGENBOSCH, THE NETHERLANDS		I/O CONNECTOR 12 POSITION WITH KEYING.		
PRODUCT SPEC: -	SIZE: A2	CAGE CODE: 00779	DRAWING NO: C-338966	
APPLICATION SPEC: -	CUSTOMER DRAWING			

DIMENSIONS:	TOLERANCES UNLESS OTHERWISE SPECIFIED:
mm	
0 P/LC	± 0,2
1 P/LC	± 0,15
2 P/LC	± 0,10
3 P/LC	± 0,05
4 P/LC	± 0,05
ANGLES	± 0°

LOC	DIST	LTN	REVISION RECORD	DATE	BY/ID
H	-	-	SEE SHEET 1	-	-
-	-	-	-	-	-
-	-	-	-	-	-



SCALE 5:1



SCALE 10:1

- NOTES:
- 1 PLATING OF CONTACT AREA: MIN. 0.2µm GOLD OVER MIN. 1.3µm NICKEL.
 - 2 NO SOLDERMASK PERMITTED IN MOUNTING AREA OF CONNECTOR. (BOTH SIDES OF THE BOARD)

RECOMMENDED PCB-LAYOUT FOR I/O CONNECTOR

DIMENSIONS: mm DIMENSIONS: INCH TOLERANCES UNLESS OTHERWISE SPECIFIED: 0 PLC ± 0.2 1 PLC ± 0.15 2 PLC ± 0.10 3 PLC ± 0.05 4 PLC ± 0.02 ANGLES ± 1°		DWG: J.V.D. HEIJSEN - 10 MRT 89 CAR: C.V. TILBURG. DATE: 00779 PRODUCT SPEC: 338966 APPLICATION SPEC: A2 WEIGHT: 00779 FINISH: 338966		AMP TYCO ELECTRONICS NEDERLAND B.V. 's-HERTOGENBOSCH, THE NETHERLANDS 1 I/O CONNECTOR 12 POSITION WITH KEYING DRAWING NO: 338966 SCALE: 5:1 SHEET: 2 of 2 REV: C	
MATERIAL:		CUSTOMER DRAWING		SCALE: 5:1	