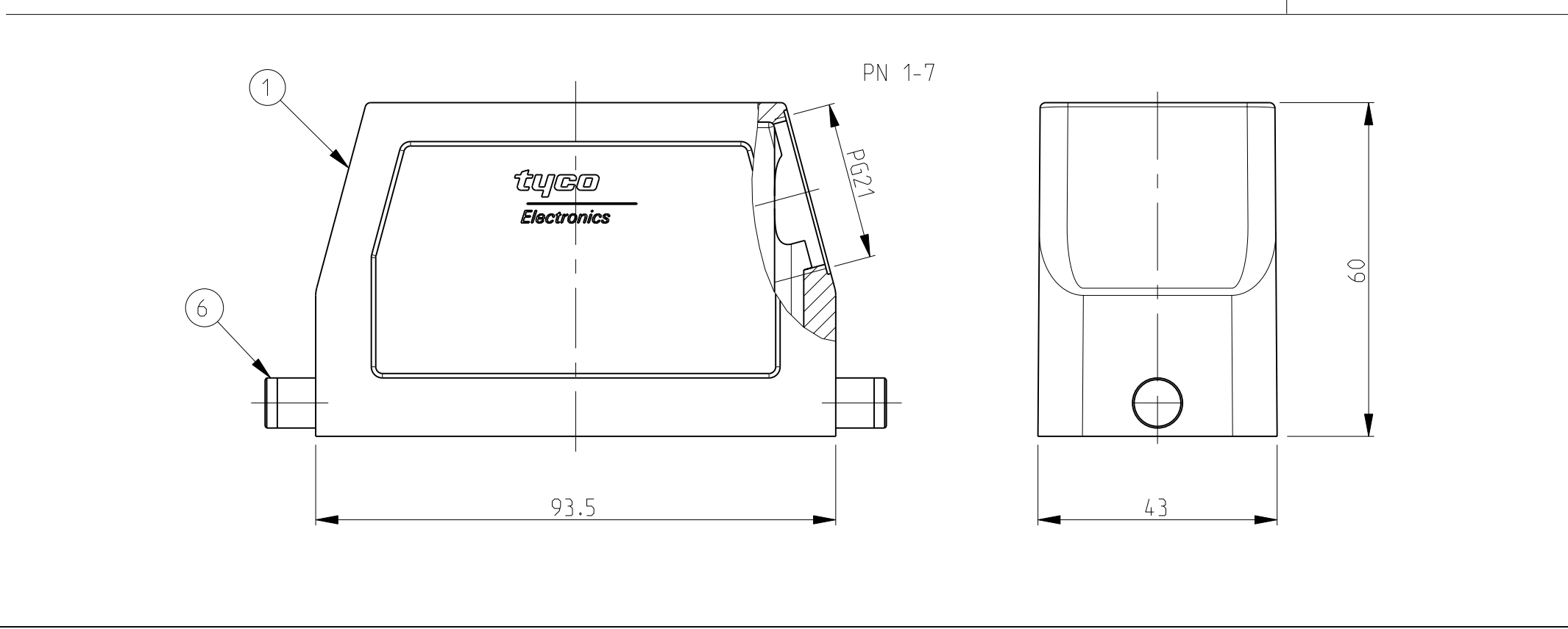
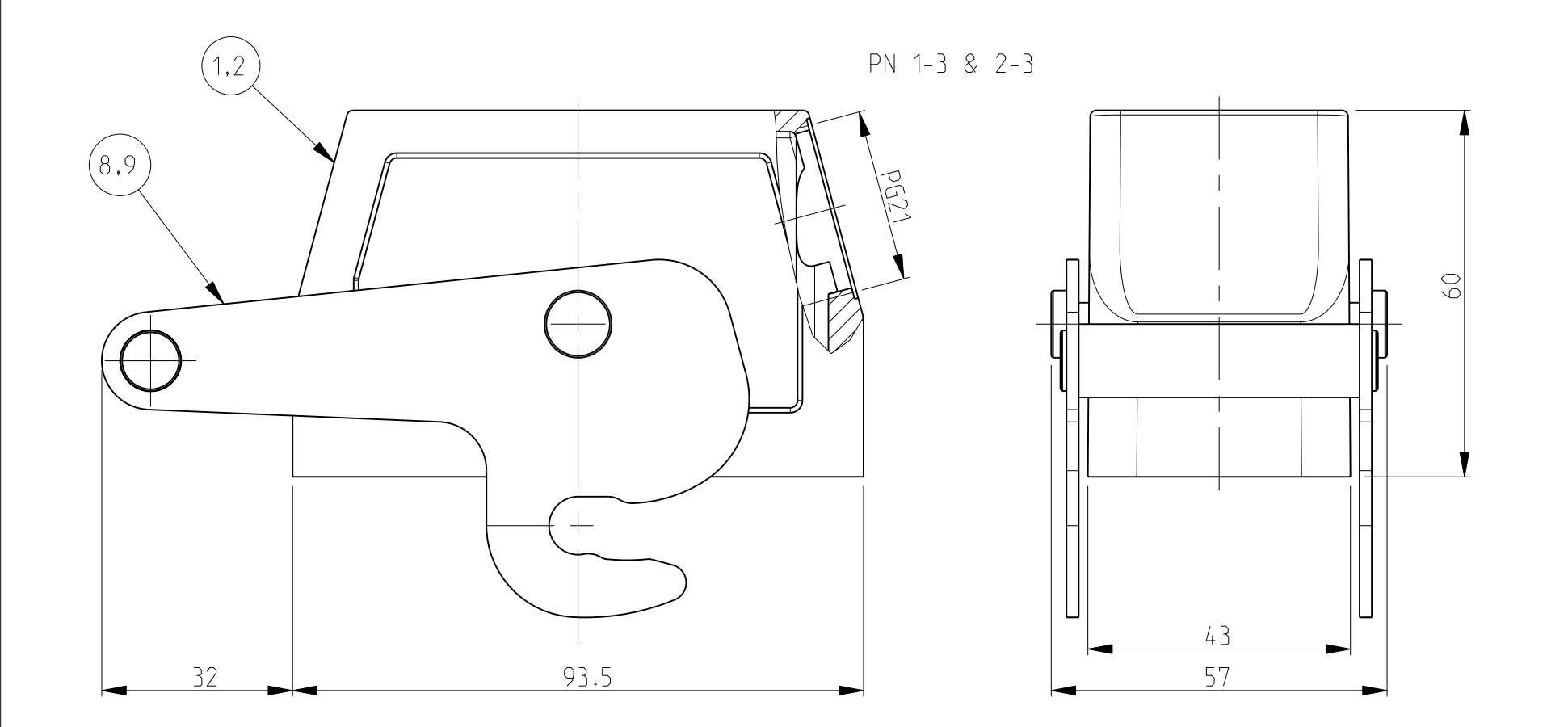
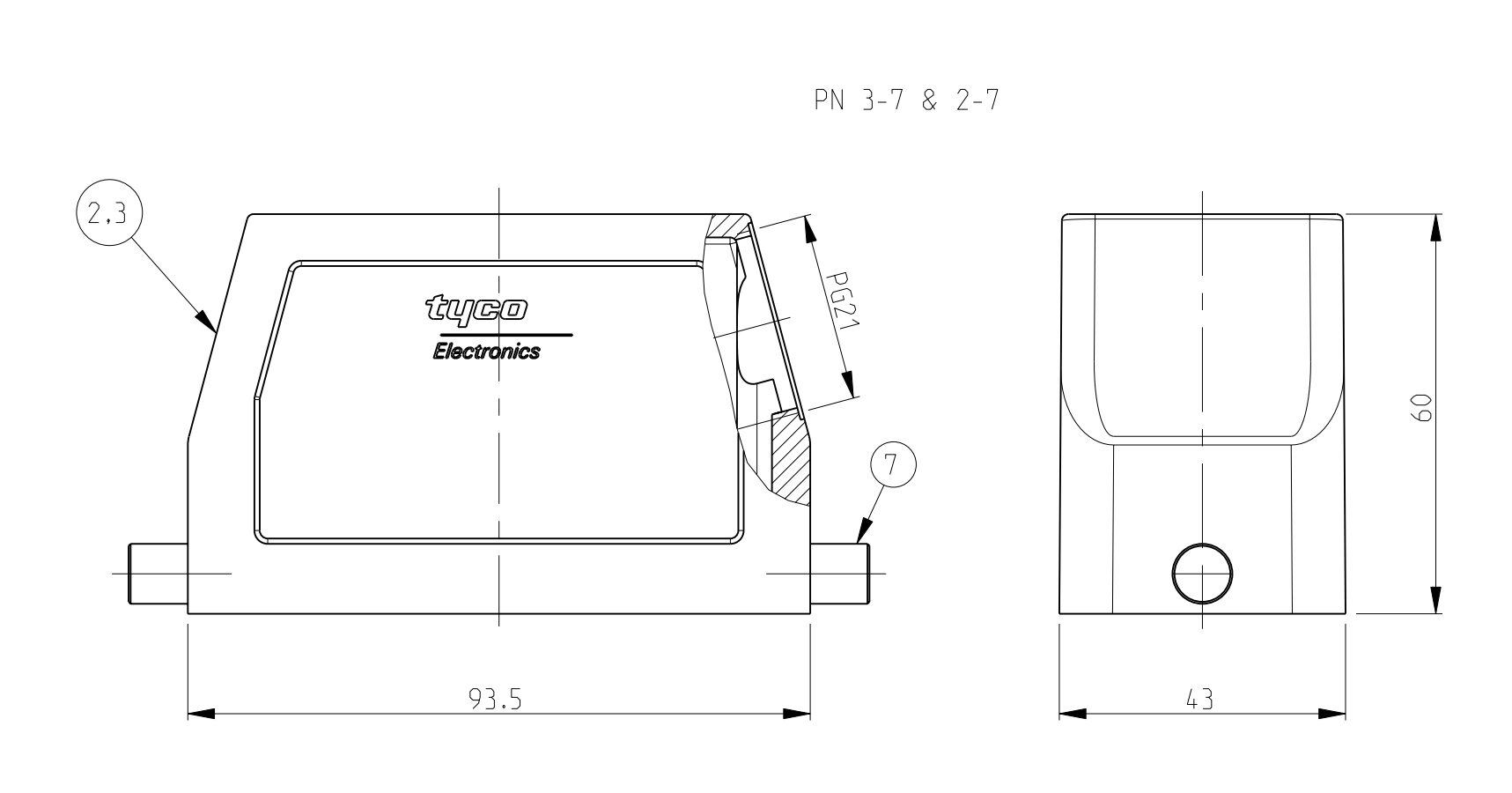
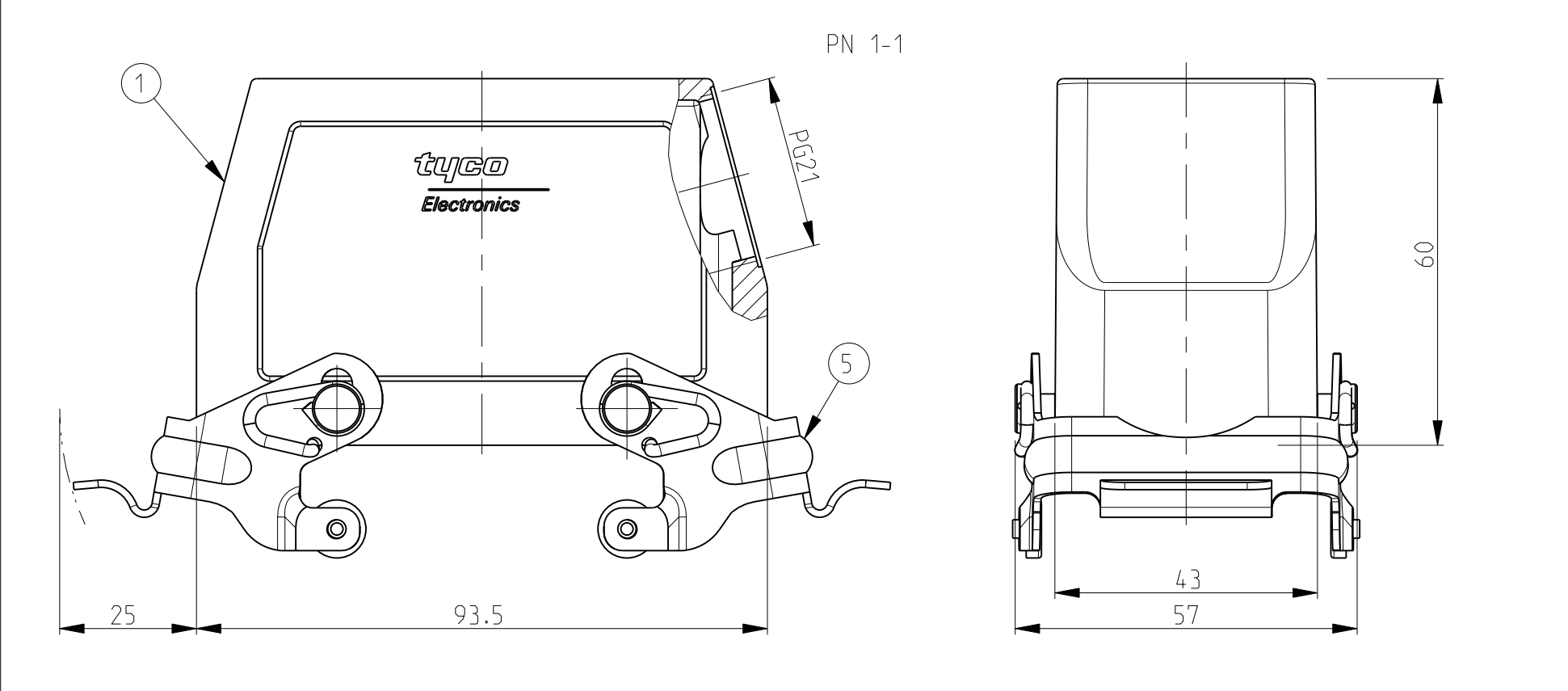
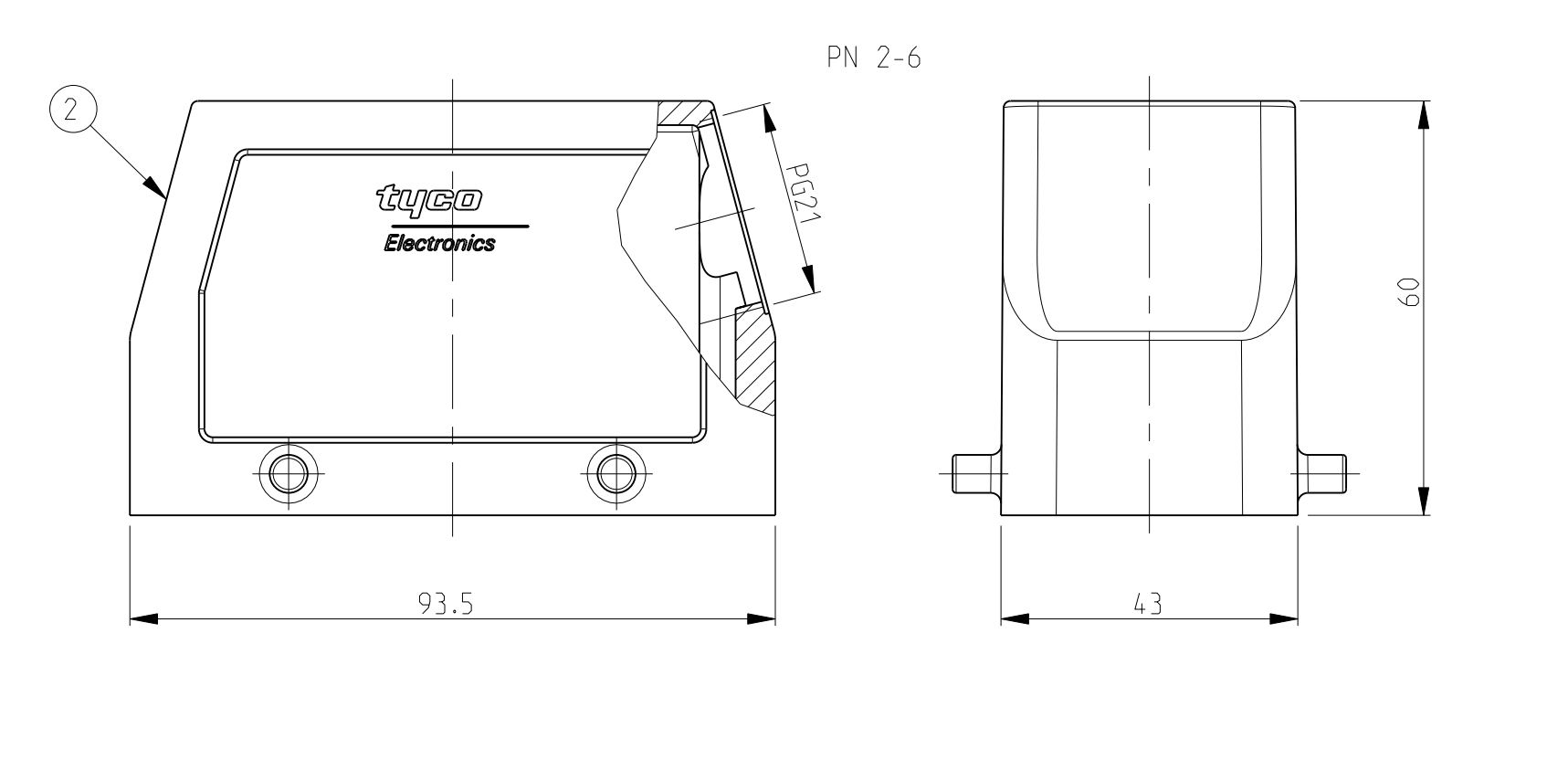
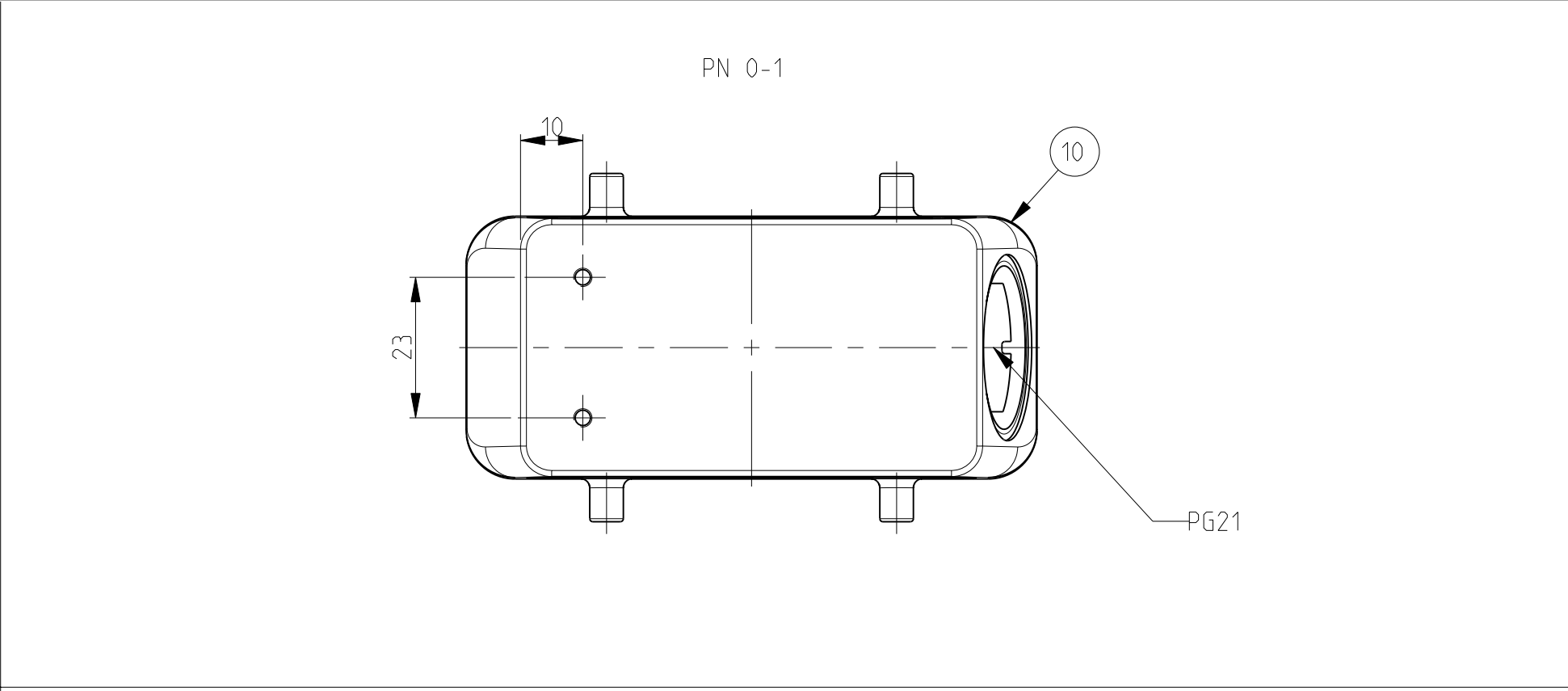
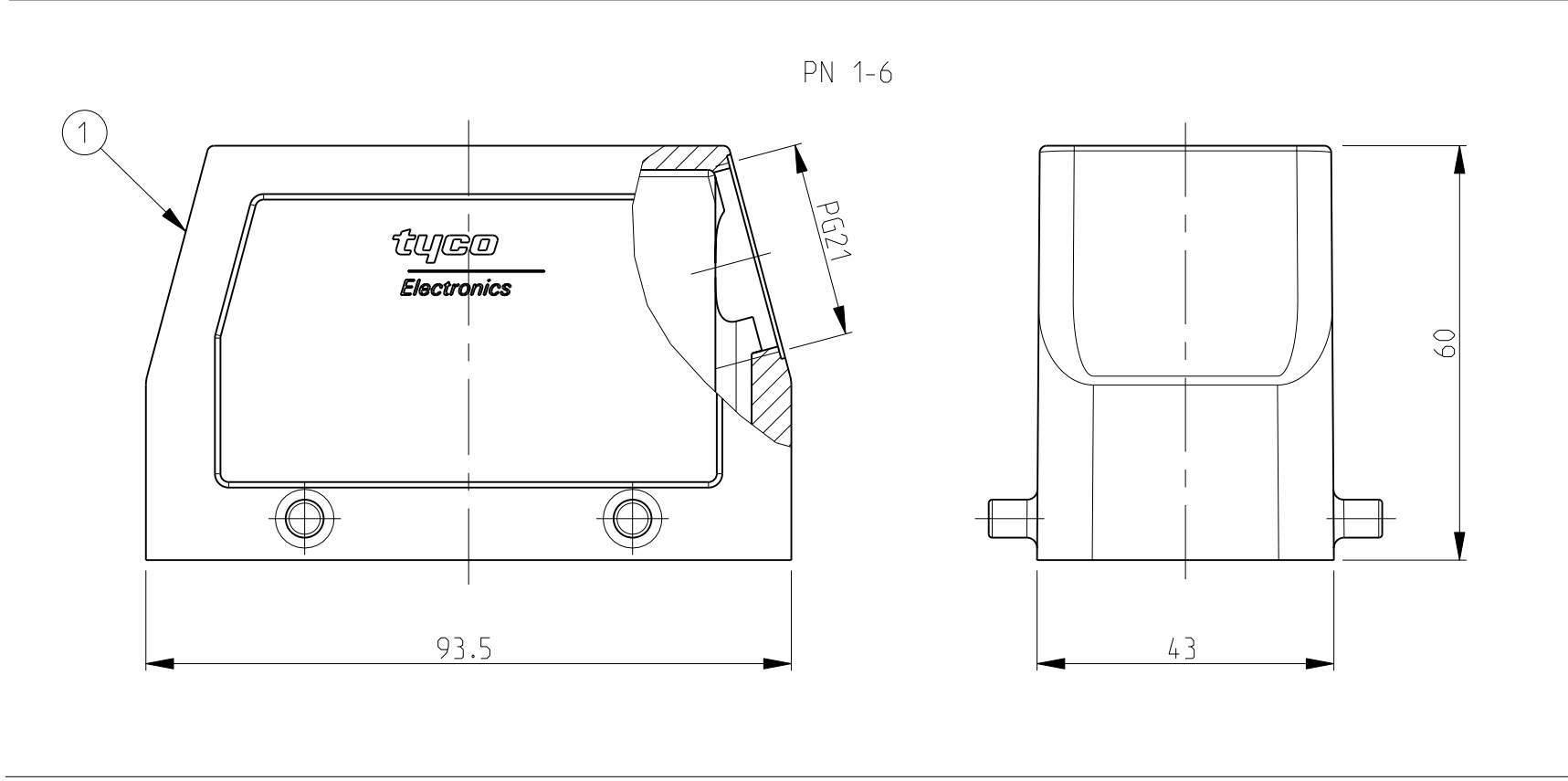
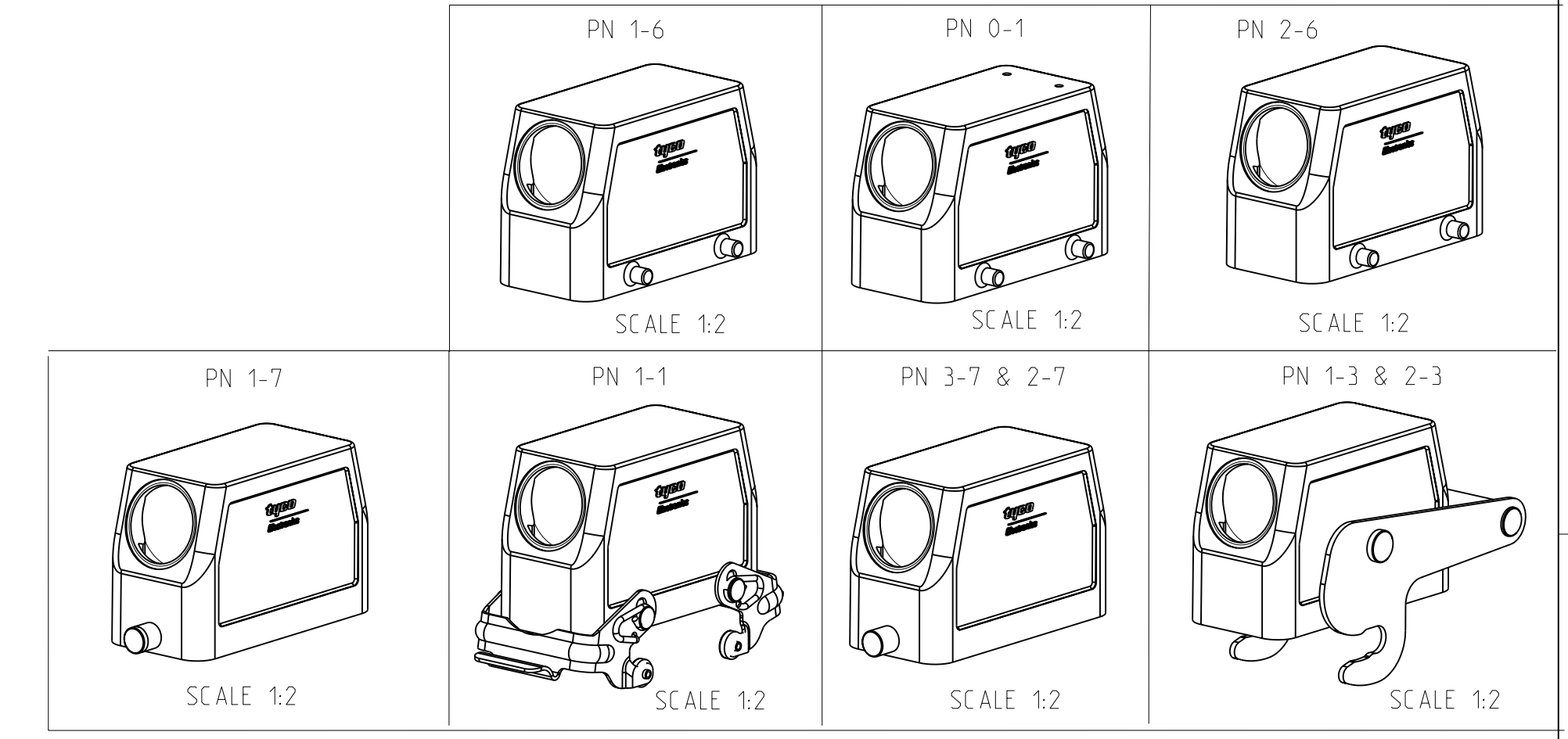


LOC	DIST	REVISIONS			
P	LTB	DESCRIPTION	DATE	DWN	APVD
A6		REVISED PER ECO-09-027197	16DEC2009	KK	AEQ



- NOTES
- Material: Housing: aluminium diecasting alloy
 - Surface: - Powder varnish grey
- Aluminium oxide+
- Varnish black
 - Varnish on the inside not necessary
 - Packaging
Packaging quantity 5 piece in a box
- ⚠️ OBSOLETE PARTS: OBSOLETE CIS STREAMLINING PER D.RENAUD/D.SINISI



QTY	DESCRIPTION	MATERIAL	SURFACE	COLOR	ITEM NO	NOTES
10	Hood HB.16 Pg.1.21	Aluminium		Grey	10	2xM3 for nameplate
1	ZB-Locking Clip	Stainless steel			9	-
2	ZB-Locking Clip	Steel	Zinc plated	Blue	8	-
1	LB-Clip bolt	Stainless steel			7	-
2	VS-Locking clip	Steel	Zinc plated	Blue	6	Special
1	VS-Clip bolt	Stainless steel			5	-
1	Hood HB.16 Pg.1.21	Aluminium		No varnish	4	-
1	Hood HB.16 Pg.1.21	Aluminium	Aluminium oxide	Black	3	Special
1	Hood HB.16 Pg.1.21	Aluminium		Grey	1	-

ORDERING TEXT

HB.16.STS.1.21.G
 HB-K.16.STS.1.21.G
 HB.16.STS-VS.1.21.G
 HB.16.STS-GR.1.21.G
 HB-K.16.STS-GR.1.21.G
 HB-Z.16.STS-ZB.1.21.G
 HB-K/Z.16.STS-ZB.1.21.G
 HB.16.STS-GR.1.21.G-SO
 HB.16.STS.1.21.G-SO

DIMENSIONS: mm 	TOLERANCES UNLESS OTHERWISE SPECIFIED: 0/100mm ±0.1 1/100mm ±0.1 2/100mm ±0.1 3/100mm ±0.1 4/100mm ±0.1 ANGLES ±0.5	DWN Schneider 31.03.1999 CHK Schneider 31.03.1999 APVD Schneider	Tyco Electronics Tyco Electronics, AMP, GmbH D-53819, Neunkirchen, Germany
MATERIAL FINISH	PRODUCT SPEC 108-74.001 108-74.003 APPLICATION SPEC 114-74.001 114-74.004	NAME Hood HB.16.STS.1.21.G	SIZE CAGE CODE DRAWING NO A 00779 C=1102292
CUSTOMER DRAW ING		SCALE 1:1	SHEET 1 OF 1 REV. A6

Mouser Electronics

Authorized Distributor

Click to View Pricing, Inventory, Delivery & Lifecycle Information:

[TE Connectivity:](#)

[1-1102292-7](#)