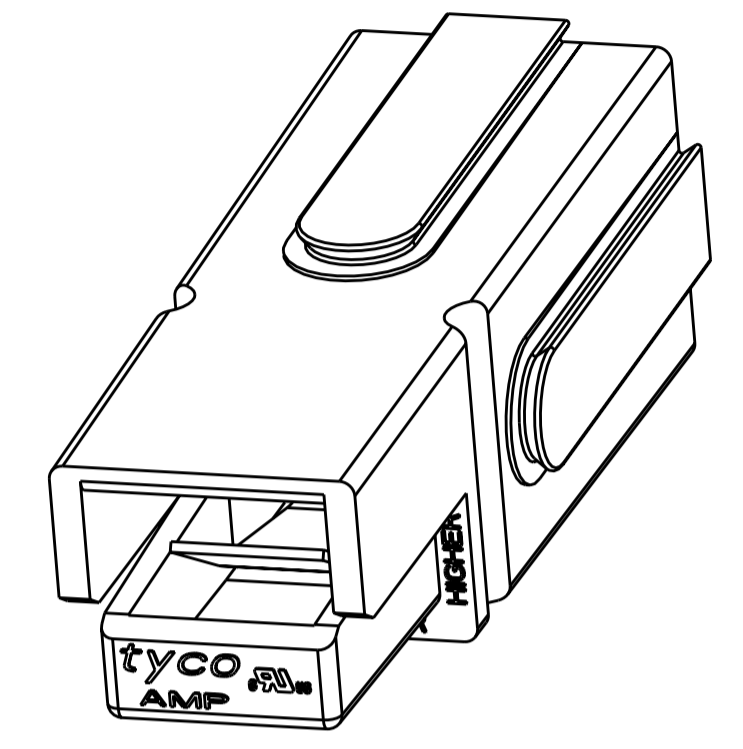
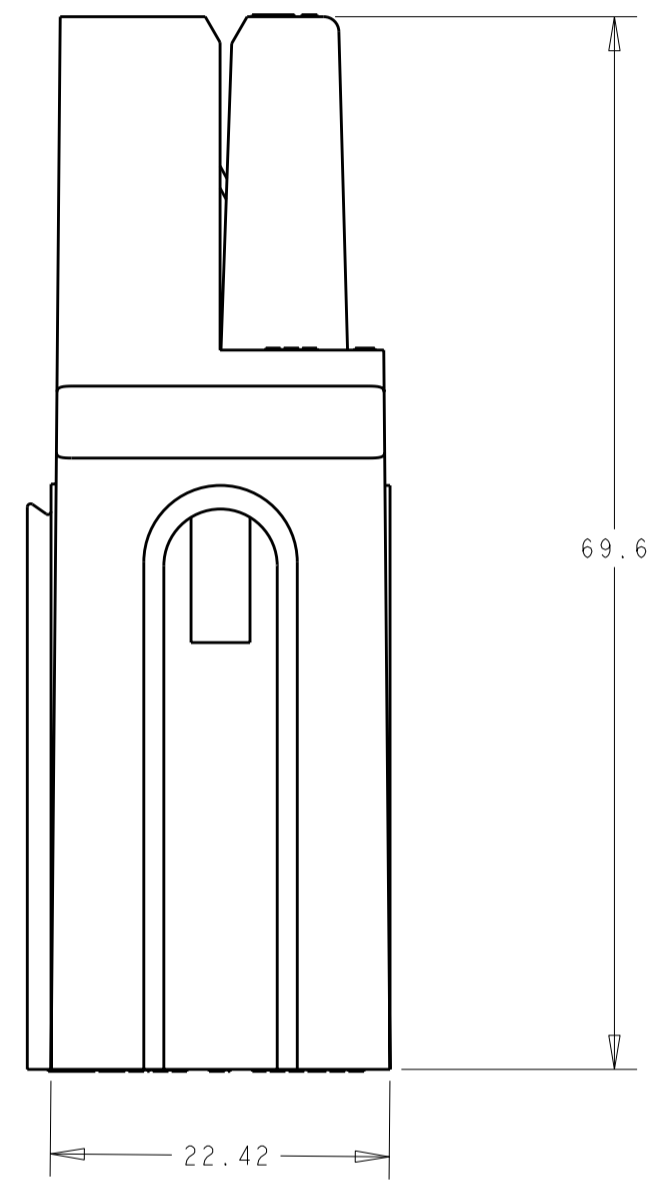
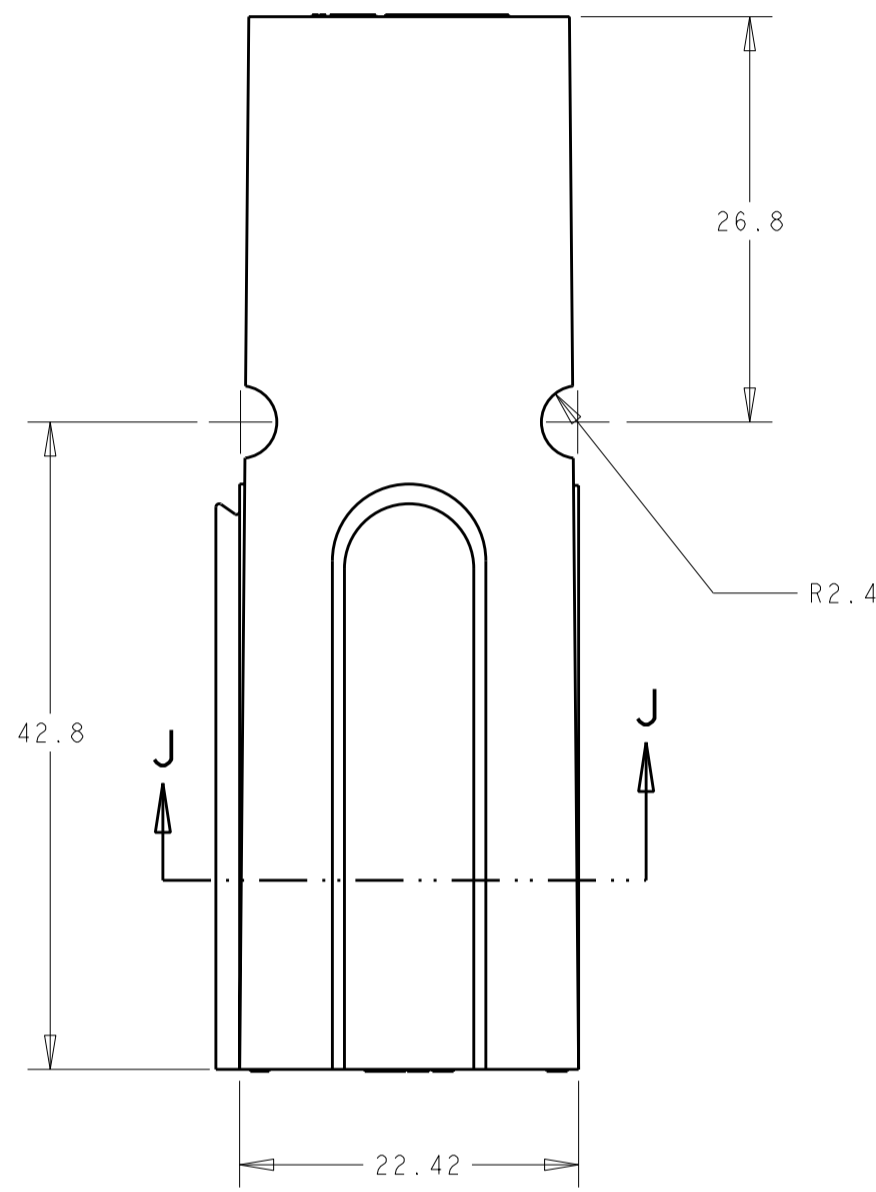
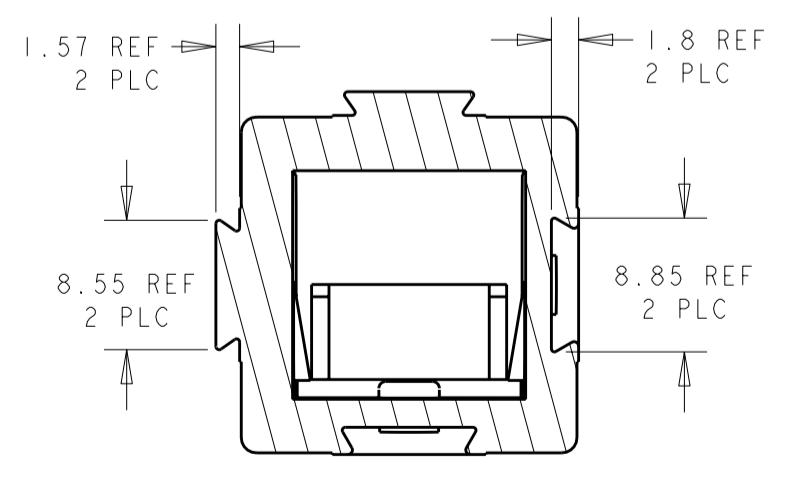


THIS DRAWING IS UNPUBLISHED. RELEASED FOR PUBLICATION 20
 © COPYRIGHT 20 BY TYCO ELECTRONICS CORPORATION. ALL RIGHTS RESERVED.

LOC		DIST		REVISIONS			
P	LTR	DESCRIPTION	DATE	DWN	APVD		
	A	REVISED PER 063B-0955-03	30-JAN-04	KW	JE		
	B	REVISED PER 063B-0048-05	06MAR06	KW	JE		
CM	00						

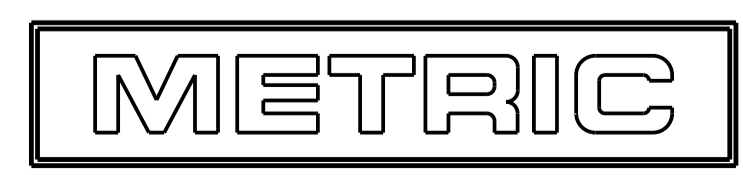


1. THIS PRODUCT HAS PASSED VERIFICATION AND AGENCY APPROVALS TESTING AND IS COMPONENT RECOGNIZED PER UL 1977 AND CSA 22.2. TYCO ELECTRONICS PRODUCT QUALIFICATION TESTING IS NOT YET COMPLETED.



SECTION J - J

RED	1604001-5
GREEN	1604001-4
WHITE	1604001-3
BLACK	1604001-2
BLUE	1604001-1
COLOR	PART NUMBER



THIS DRAWING IS A CONTROLLED DOCUMENT FOR TYCO ELECTRONICS CORPORATION. IT IS SUBJECT TO CHANGE AND THE CONTROLLING ENGINEERING ORGANIZATION SHOULD BE CONTACTED FOR THE LATEST REVISION.		DWN	BH	28NOV01	Tyco Electronics Harrisburg, PA 17105-3608		
DIMENSIONS:		CHK	KAK	28NOV01			
mm	TOLERANCES UNLESS OTHERWISE SPECIFIED:	APVD	KAK	28NOV01			
	0 PLC ±0.13 1 PLC ±0.13 2 PLC ±0.13 3 PLC ±0.13 4 PLC ±	PRODUCT SPEC	-	-			
MATERIAL		APPLICATION SPEC	-	-	NAME	SUB-ASSEMBLY, AMP POWER SERIES	
		WEIGHT	-	-	SIZE	CAGE CODE	DRAWING NO
		CUSTOMER DRAWING			A2	00779	1604001
		SCALE	2:1	SHEET	OF	REV	B