



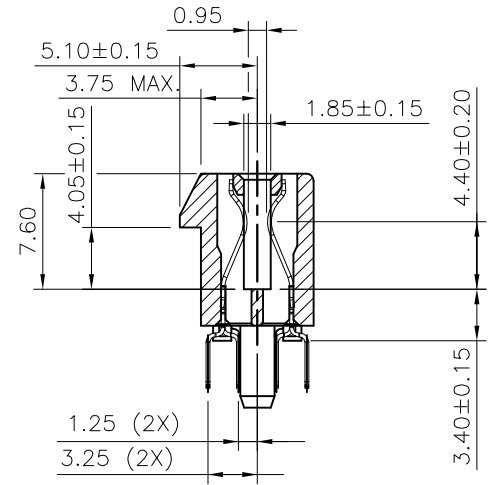
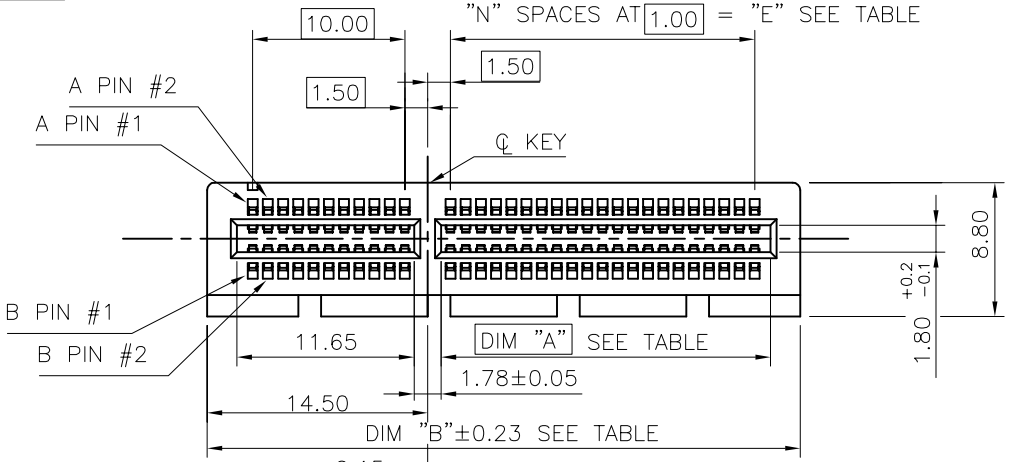


1 | 2

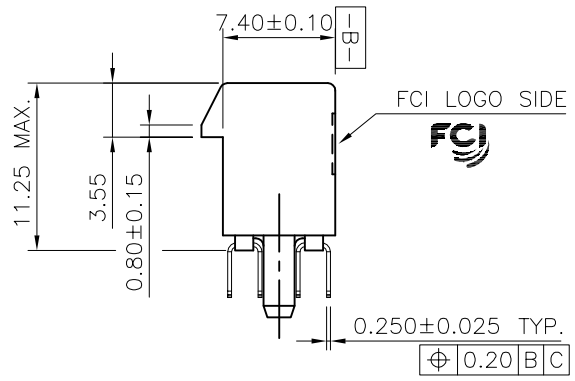
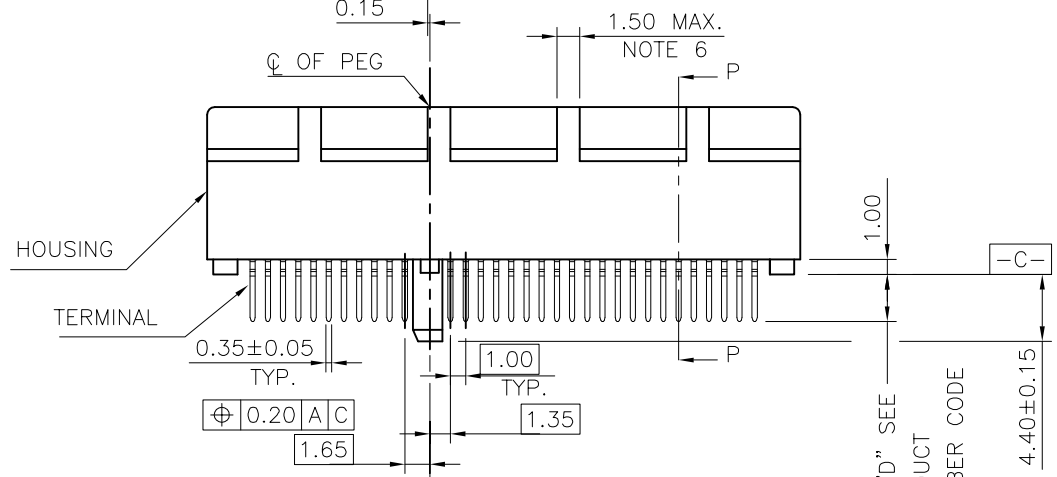
3

4

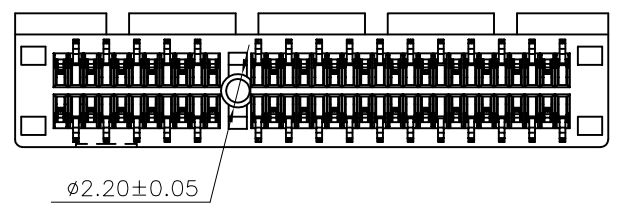
PRODUCT NO.  
10018783-X2XXXX



SECTION P-P



### SINGLE PLASTIC PEG TYPE



mat'l. code		surface 58	tolerance	projection	product family	
ltr		ecn no	dr	date	EDGE CARD	
T		T05-0208	M-W	09/15/05	title	
U		T10-0007	J-H	1/20/10	PCI EXPRESS GEN3	
V		ELX-00-1831	S-T	07/16/14	CARD EDGE ASSY	
W		ELX-00-2070	S-T	01/23/15	dwg no	
-		-	-	-	sheet 2 of 7	
-		-	-	-	size	
-		-	-	-	10018783	
-		-	-	-	A4	
-		-	-	-	type	
-		-	-	-	Customer Drawing	
sheet index	revision sheet					

1

3

4

5

B

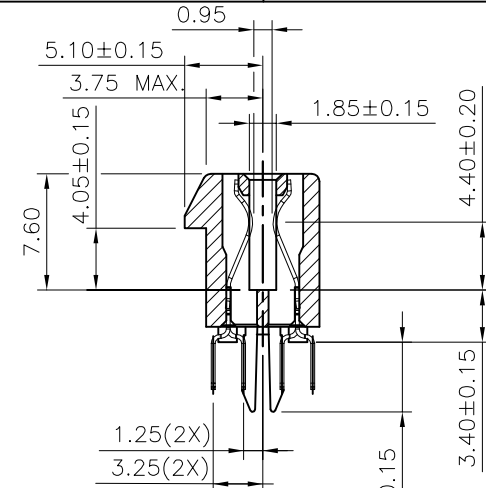
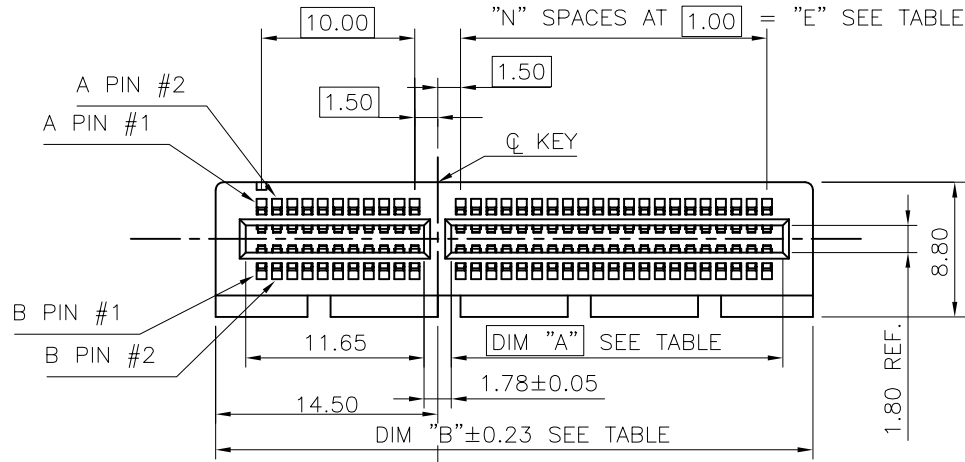


1 | 2

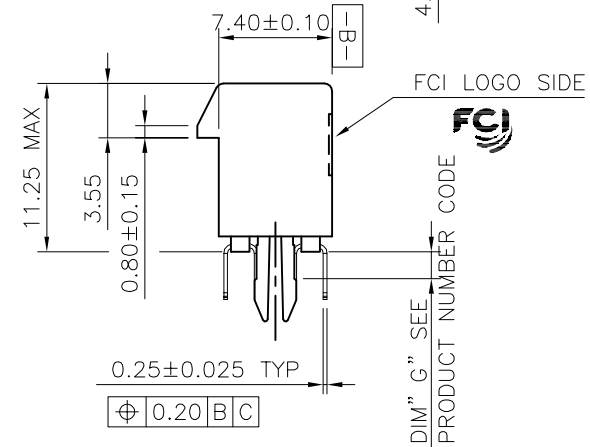
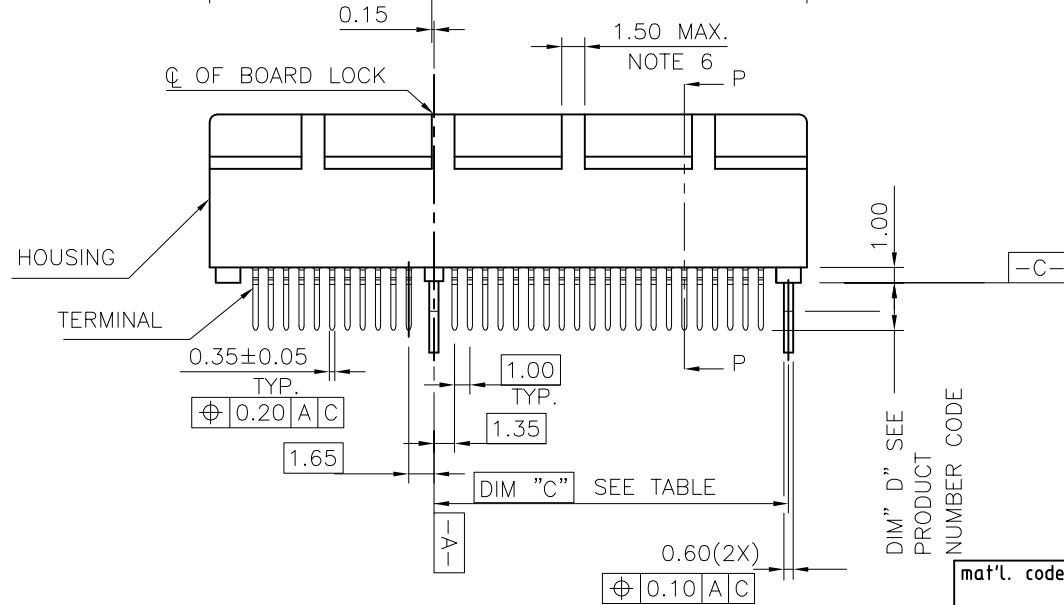
3

4

PRODUCT NO.  
10018783-X1XXXX



SECTION P-P



### METAL BOARD LOCKS TYPE

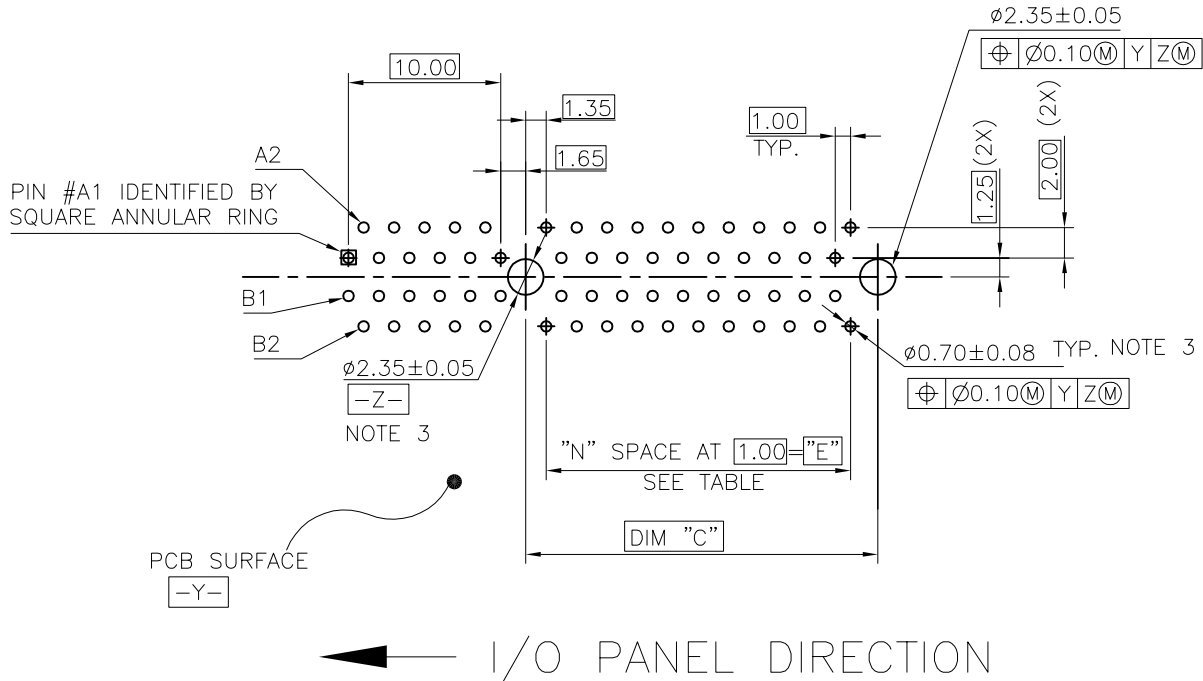
mat'l. code		surface 58 / tolerance		projection		product family	
T05-0208 M-W 09/15/05		tolerances unless otherwise specified		MM		EDGE CARD	
ltr	ecn no	dr	date	angles	Linear	title	
T	T05-0208	M-W	09/15/05	.X±0.30		PCI EXPRESS GEN3	
U	T10-0007	J-H	1/20/10	.XX±0.20		CARD EDGE ASSY	
V	ELX-00-18311	S-T	07/16/14	0'±2'	.XXX±0.10	scale 2:1	
W	ELX-00-20070	S-T	01/23/15	dr	Stone Li	01/13/15	
-	-	-	-	engr	Stone Li	01/13/15	
-	-	-	-	chr	/	/	
-	-	-	-	appd	Collins Lu	01/13/15	
sheet index		revision sheet		FCI		type	
						Customer Drawing	

A

A

B

B



### RECOMMENDED FOOTPRINT

mat'l. code		surface 58	tolerance	projection	product family
ltr		ecn no	dr	date	EDGE CARD
T	T05-0208	M-W	09/15/05		title PCI EXPRESS GEN3 CARD EDGE ASSY
U	T10-0007	J-H	1/20/10		
V	ELX-00-18311	S-T	07/16/14	0°±2'	sheet 4 of 7
W	ELX-00-20070	S-T	01/23/15	dr Stone Li 01/13/15	
sheet index		revision sheet		type Customer Drawing	

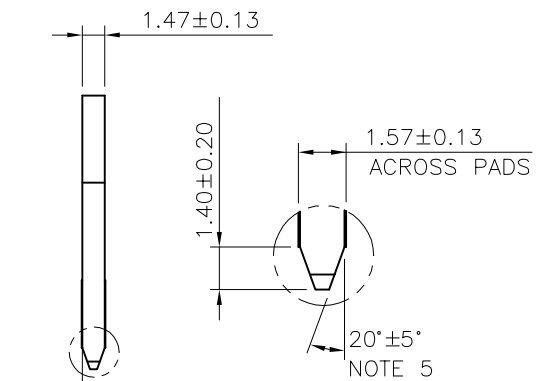
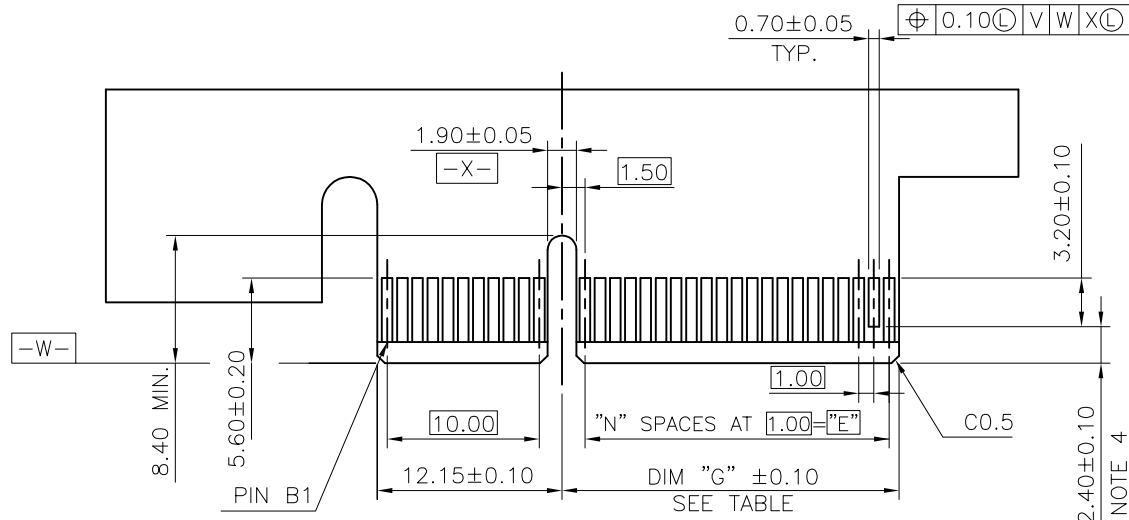
A

A

3

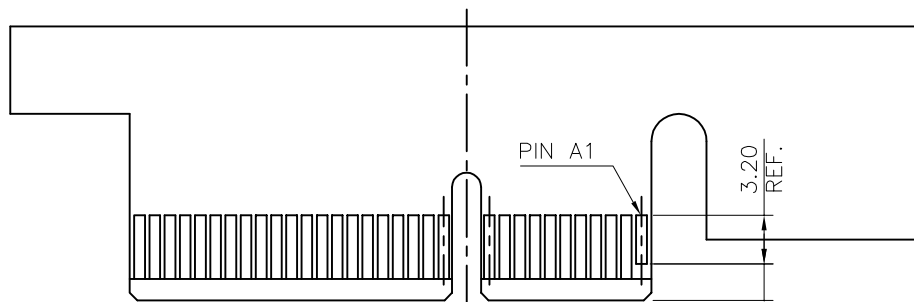
5

B



SCALE 2:1

← I/O PANEL DIRECTION  
PRIMARY (COMPONENT) SIDE



I/O PANEL DIRECTION →  
SECONDARY (SOLDER) SIDE

PIN "F" SEE TABLE 2.40±0.10 NOTE 4

PIN "F" SEE TABLE 2.40±0.10 NOTE 4

ADD-IN CARD EDGE-FINGER DIMENSIONS

#	POS	REF.	N	DIM "G"	"F"
36	6		8.15	B17	
64	20		22.15	B31	
98	37		39.15	B48	
164	70		72.15	B81	

mat'l. code		surface 58	tolerance	projection	product family
ltr ecn no dr date		tolerances unless otherwise specified		MM	EDGE CARD
T	T05-0208	M-W	09/15/05		angles
U	T10-0007	J-H	1/20/10	Linear	PCI EXPRESS GEN3
V	ELX-00-18311	S-T	07/16/14	0°±2'	CARD EDGE ASSY
W	ELX-00-20070	S-T	01/23/15	dr	Stone Li 01/13/15
-	-	-	-	engr	Stone Li 01/13/15
-	-	-	-	chr	/ /
-	-	-	-	appd	Collins Lu 01/13/15
sheet index	revision sheet				FCI
					scale 2:1
					dwg no
					sheet 5 of 7
					size
					A4
					type
					Customer Drawing



NOTES:

- 1.MATERIAL:
  - HOUSING: HIGH TEMPERATURE NYLON, GLASS FILLED UL94V-0 RATED.
  - TERMINAL: COPPER ALLOY.
  - PLATING: SEE PRODUCT NUMBER CODE
  - METAL BOARD LOCKS: COPPER ALLOY.
  - FINISH: 100u" TIN OVER 50u" NICKEL
- 2.PRODUCT SPECIFICATION: GS-12-233.
- ③THE HORIZONTAL AXIS FOR THE HOLE PATTERN IS ESTABLISHED BY
  - A LINE THROUGH THE CENTER OF THE TWO Ø2.35 HOLES.
  - THE VERTICAL AXIS IS 90° TO THE HORIZONTAL AXIS, THROUGH THE CENTER OF DATUM Z.
- ④NO TIE BAR PERMITTED FROM CARD EDGE TO LEADING EDGE OF PAD FOR PINS A1 AND PIN NUMBERS "F".
- ⑤CHAMFER EDGES MUST BE FREE OF CUTTING BURRS.
- ⑥FREQUENCY & LOCATION AT SUPPLIER DISCRETION. RIDGE MAY BE CONTINUOUS WITH NO BREAKS.
- 7.RoHS COMPATIBLE PRODUCT SPECIFICATIONS:
  - a - PLATING:
    - "LF" MEANS THE PRODUCT IS LEAD-FREE.
  - b - MANUFACTURING PROCESS COMPATIBILITY:
    - THE HOUSING WILL WITHSTAND EXPOSURE TO 260°C±5°C TEMPERATURE FOR 10 SECONDS IN RE-FLOW APPLICATION, REFER TO GS-14-858 FOR OPERATING.

CONNECTOR	# POS REF.	N	DIM "A"	DIM "B"	DIM "C"	"E"
1 PORT	36	6	7.65	25.00	9.15	6.00
4 PORT	64	20	21.65	39.00	23.15	20.00
8 PORT	98	37	38.65	56.00	40.15	37.00
16 PORT	164	70	71.65	89.00	73.15	70.00

PRODUCT NUMBER CODE

10018783 -x x x x x □ □

HOUSING COLOR OPTIONS

- 0-NATURAL
- 1-BLACK

PEGS OPTIONS

- 0-PLASTIC PEGS
- 1-METAL BOARD LOCKS
- 2-SINGLE PLASTIC PEGS

TERMINAL PLATING OPTIONS

- 0-50u" Ni UNDERPLATE
- 30u" Au CONTACT AREA
- 100u" TIN TAIL AREA ----- COMPATIBLE RoHS
- 1-50u" Ni UNDERPLATE
- 15u" Au CONTACT AREA
- 100u" TIN TAIL AREA ----- COMPATIBLE RoHS
- 2-50u" Ni UNDERPLATE
- GOLD FLASH CONTACT AREA
- 100u" TIN TAIL AREA ----- COMPATIBLE RoHS

LEAD FREE OPTION

LEAVE BLANK FOR TERMINAL PLATING 3,4,5  
"LF" FOR TERMINAL PLATING OPTION 0,1,2

POS OPTIONS

- 0-36
- 1-64
- 2-98
- 3-164

TAIL LENGTH OPTIONS

	DIM "D"	PCB THICKNESS	BOARD LOCKS DIM "G"
0	2.30 ±0.25 -0.13	1.56±0.10	1.70±0.15
1	3.10 ±0.25 -0.13	2.36±0.10	2.50±0.15
2	2.54±0.25	1.56±0.10	1.70±0.15
3	1.90±0.25	1.56±0.10	1.70±0.15

PACKAGING OPTIONS

- T-SOFT TRAY PACKAGING
- M-SOFT TRAY PACKAGING & MYLAR TAPE. SEE FIGULE 1
- Y-HARD TRAY PACKAGING (FOR 164P ONLY)
- Z-HARD TRAY PACKAGING WITH MYLAR (FOR 164P ONLY)
- E-HARD TRAY PACKAGING WITH ANTI-STATIC SHIELDING BAG (FOR 164P ONLY)
- R-TAPE & REEL PACKAGING (FOR 36, 64, 98P)
- A-TAPE & REEL PACKAGING WITH MYLAR (FOR 36, 64, 98P)



R-TAPE & REEL PACKAGING (FOR 36, 64, 98P)

A-TAPE & REEL PACKAGING WITH MYLAR (FOR 36, 64, 98P)

mat'l. code		surface 58	tolerance	projection	product family	
lfr ecn no dr date		tolerances unless otherwise specified		MM	EDGE CARD	
T T05-0208 M-W 09/15/05		angles	.X±0.30			PCI EXPRESS GEN3
U T10-0007 J-H 1/20/10		line/cr	.XX±0.20	CARD EDGE ASSY		
V ELX-00-18311 S-T 07/16/14		0°±2'	.XXX±0.10		scale 1:1	
W ELX-00-20070 S-T 01/23/15		dr	Stone Li 01/23/15	FCI	sheet 6 of 7 size A4	
-		engr	Stone Li 01/23/15			10018783
-		chr	/ /			
-		appd	Collins Lu 01/23/15	type Customer Drawing		
sheet index	revision sheet					

A

A

B

5

B

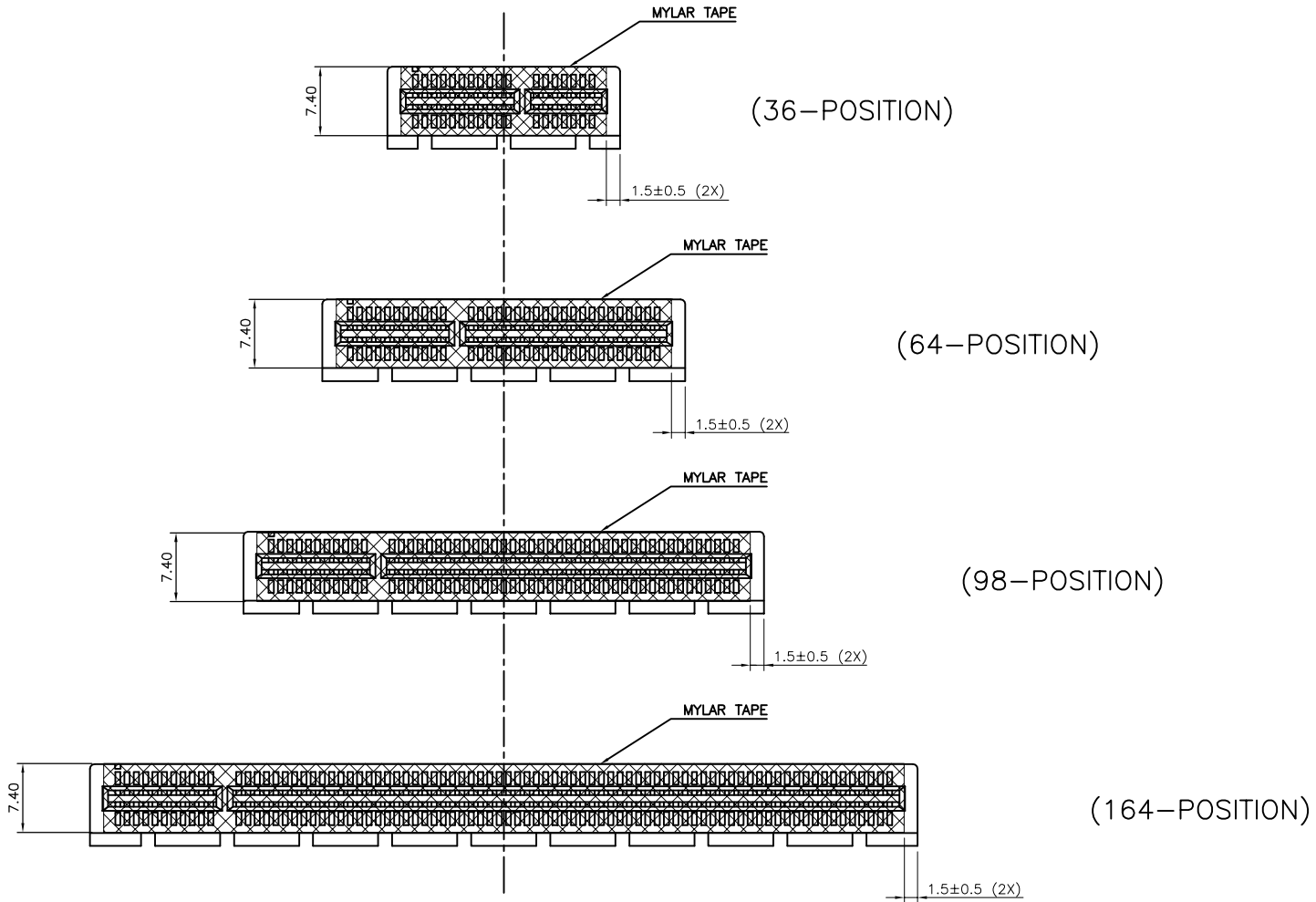


FIGURE 1

A

A

B

B

mat'l. code		surface ss / tolerance		projection	product family	
Ltr	ecn no	dr	date	tolerances unless otherwise specified	EDGE CARD	
T	T05-0208	M-W	09/15/08	.Xs8.38	PCI EXPRESS GEN3 CARD EDGE ASSY	
U	T10-0007	J-H	1/20/10	angles .XXs8.28		
V	82X-00-1811	S-T	07/16/14	σ±2 .XXXs8.18	scale 1.5:1	
W	82X-00-2070	S-T	01/23/15	dr Stone Li	01/23/15	
-	-	-	-	enrg Stone Li	01/23/15	
-	-	-	-	chr /	/	
-	-	-	-	app Collins Lu	01/23/15	
sheet	revision	FCI			dwg no	sheet 7 of 7
index	sheet	type			10018783	size A4
					Customer Drawing	

# Mouser Electronics

Authorized Distributor

Click to View Pricing, Inventory, Delivery & Lifecycle Information:

[FCI:](#)

[10018783-00203TLF](#) [10018783-10102MLF](#) [10018783-00200MLF](#) [10018783-00111TLF](#) [10018783-00103TLF](#)  
[10018783-00113TLF](#) [10018783-00112TLF](#) [10018783-00201TLF](#) [10018783-00002MLF](#) [10018783-00212MLF](#)  
[10018783-10033ELF](#) [10018783-11222TLF](#) [10018783-10212MLF](#) [10018783-11121TLF](#) [10018783-11021TLF](#)  
[10018783-11123TLF](#)