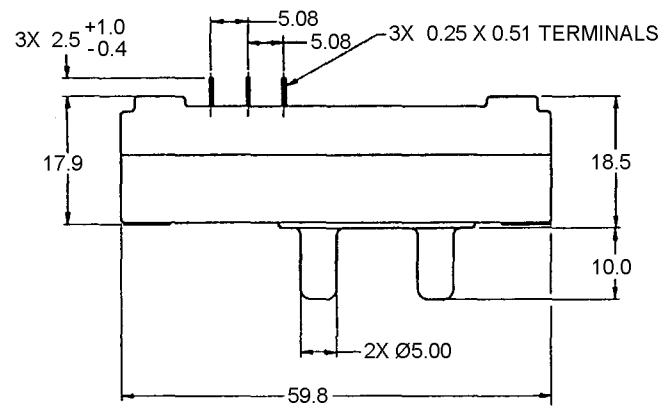
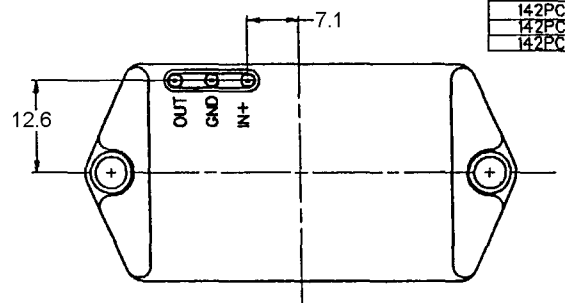


M 140PC02 SERIES
CHART 1

CATALOG LISTING	TYPE	OPERATING PRESSURE RANGE
142PC02D	D	0 TO 2.0 PSID
142PC02G	G	0 TO 2.0 PSIG
142PC02D	D	0 TO 2.0 PSID

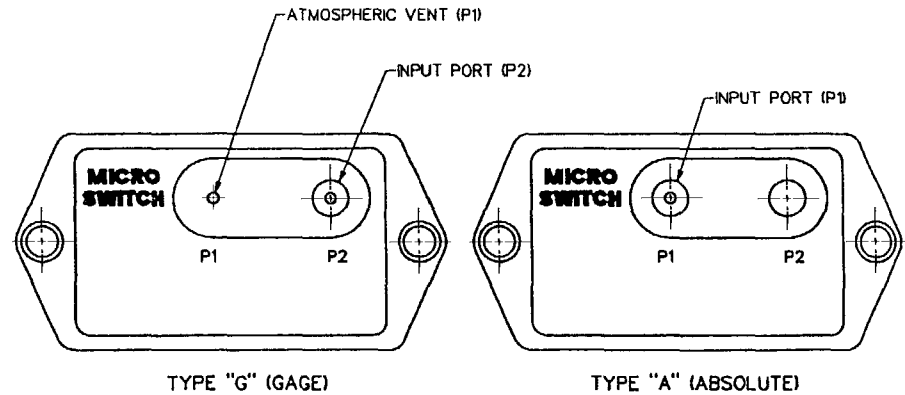
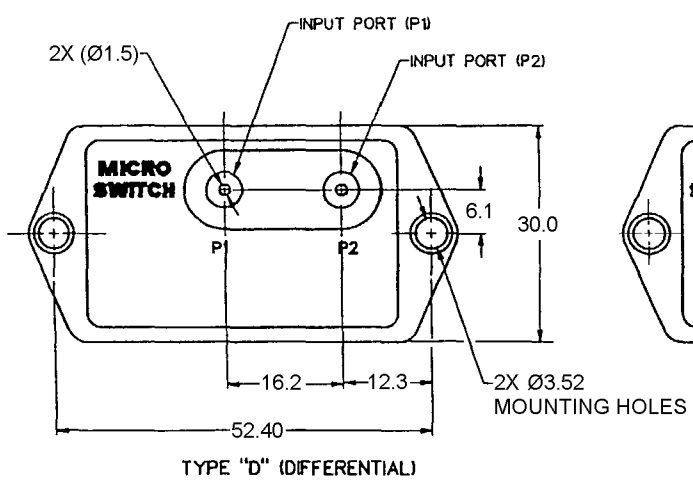
GENERAL OPERATING CHARACTERISTICS	
PRESSURE RANGE	0 TO 103.4 mmHg (0 TO 2 PSI)
OVERPRESSURE	1035 mmHg (20 PSI)
TEMPERATURE RANGES	
STORAGE	-55 TO +125°C
OPERATING	-40 TO +85°C
COMPENSATED	+5 TO +45°C
SUPPLY VOLTAGE	7 TO 16 VDC
SUPPLY CURRENT	20mA MAX WITH 10K LOAD
SHORT CIRCUIT LIMIT	MAY BE SHORTED INDEFINITELY
OUTPUT RIPPLE	NONE
GROUND REFERENCE	SUPPLY AND OUTPUT ARE COMMON



ELECTRICAL PERFORMANCE AT 25°C AND 8.00±0.01 VDC SUPPLY

OUTPUT VOLTAGE	
142PC02D OR G 14PC02D	
NULL (0 PSIG)	1.00±0.05 VDC
FULL SCALE (2.0 PSIG (103.4 mmHg))	6.00±0.20 VDC (P2 > P1)
14PC02D	
FULL SCALE 2.0 PSID	6.00±0.2 VDC (P1 > P2)
SENSITIVITY	48.35mV/mmHg (2.5 V/PSI)
LINEARITY (%F.S.O.)	±0.75 (BEST FIT P2 < P1) ±1.50 (BEST FIT P2 > P1)
HYSTERESIS & REPEATABILITY (%F.S.O.)	±0.3 TYPICAL
TEMPERATURE ERROR (%F.S.O.)	
5° TO 45°C	±1.5 MAX
RESPONSE TIME	1 m SEC MAX

- NOTES:
 1 - INPUT MEDIA:
 P1 - DRY GASES ONLY; CONNECTION SIDE OF SENSOR
 P2 - LIMITED ONLY TO THOSE MEDIA THAT WILL NOT ATTACK POLYESTER, SILICON OR SILICONE BASED ADHESIVE
 2 - TERMINALS ARE PLATED FOR SOLDERING
 3 - LIMIT SOLDERING TO 315°C MAX FOR 10 SECONDS MAX
 4 - UNITS ARE OF PLASTIC CONSTRUCTION
 Δ F.S.O. IS THE ALGEBRAIC DIFFERENCE BETWEEN THE OUTPUT END POINTS (NULL AND FULL PRESSURE)



METRIC	INCH
0.4	.016
0.25	.010
0.51	.020
1.0	.039
1.5	.04
2.5	.099
3.52	.139
5.00	.197
5.08	.200
6.1	.240
7.1	.280
10.0	.39
12.3	.484
12.6	.496
16.2	.64
17.9	.70
18.5	.73
30.0	1.18
52.40	2.06
59.8	2.35

THIRD ANGLE PROJECTION	
SCALE	2 : 1
DO NOT SCALE PRINT	
UNLESS OTHERWISE SPECIFIED TOLERANCES ARE	
NO PLACE (Ø)	± 1 mm
ONE PLACE (0.0)	± 0.4 mm
TWO PLACE (0.00)	± 0.15 mm
ANGLES	±
WEIGHT	31 G

DRAWING NUMBER: 140PC02 SERIES CHART 1
 PAGE: 1 OF 1
 ISSUE: 6
 RELEASE NO.: PR-11631
 REFERENCE: X76027-PC

RASTER
 J.A. STANOVY
 3 FEB 10
 0064472
 18 MAY 10
 RS 19 MAY 10

MASTER REDUCED
ANSI Y14.5M-1982 APPLIES

MICRO SWITCH
a Honeywell Division
REG. U.S. PAT. OFF. DES. 81828

PRESSURE TRANSDUCER

CATALOG LISTING
140PC02 SERIES
CHART 1

Mouser Electronics

Authorized Distributor

Click to View Pricing, Inventory, Delivery & Lifecycle Information:

[Honeywell:](#)

[142PC02D](#)