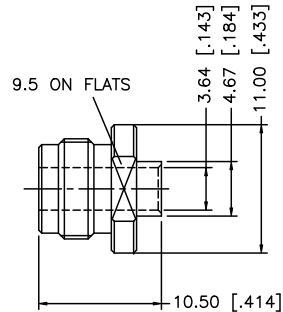
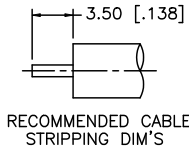
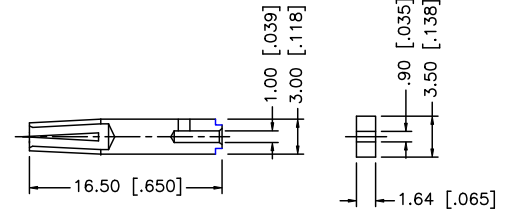
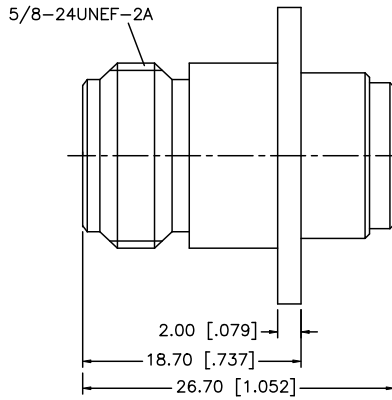
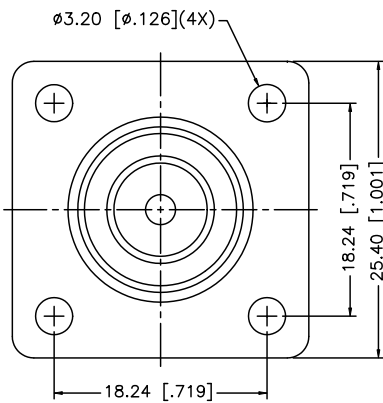


REV.	DATE	DESCRIPTION
A	04/11/03	MODIFY PLATING SPECS. / UPDATE DRAWING FORMAT
B	01/30/04	MODIFY CONTACT PIN AND INSULATOR
C	02/02/05	MODIFY CONTACT PIN
D	07/25/05	MODIFY SOLDER NUT PLATING TO GOLD
E	04/02/08	REVISE CABLE STRIPPING DIMENSION TO 3.5mm, INSULATOR TO PTFE



NOTE:
1. CRIMPED CONTACT PIN HEX CRIMP SIZE .100"

8																							
7																							
6																							
5	SOLDER NUT	BRASS	GOLD	1	<small>UNLESS OTHERWISE SPECIFIED DIMENSIONS ARE IN MILLIMETERS; DIMENSIONS IN [] ARE IN INCHES AND FOR CUSTOMER REFERENCE ONLY.</small> <small>UNLESS OTHERWISE SPECIFIED TOLERANCES FOR MILLIMETERS ARE:</small> 0.5 - 8mm ± 0.20mm 8 - 30mm ± 0.40mm 30 - 120mm ± 0.50mm <small>UNLESS OTHERWISE SPECIFIED TOLERANCES FOR INCHES ARE:</small> .020 - .315 = ± 0.007" .315 - 1.180 = ± 0.015" 1.180 - 4.724 = ± 0.020"																		
4	INSULATOR	TEFLON	NATURAL	1																			
3	CONTACT PIN	PHOS. BRONZE	GOLD	1																			
2	INSULATOR	PTFE	NATURAL	1																			
1	BODY	BRASS	NEXCOTE	1																			
DESCRIPTION				MATERIAL	FINISH	QTY	DO NOT SCALE DRAWING	APPROVALS	DATE	<h2 style="text-align: center;">Amphenol Connex</h2> <p style="text-align: center;">N PANEL DIRECT SOLDER JACK (FOR .141" SEMI RIGID CABLE)</p>													
								DRAWN	G.R.S.	04/02/08	PART DESCRIPTION												
								CHECKED			PART NO.		172170										
								ISSUED			SHEET		1 OF 1										
								CAD FILE		C:/172/172170.DWG		DWG. NO.	172170.DWG		REV.	E		SIZE	A		SCALE	NA	