

## BL/SL 7.62 series SL 7.62/03/90 3.2SN OR BX

**Weidmüller Interface GmbH & Co. KG**  
 Klingenbergstraße 16  
 D-32758 Detmold  
 Germany  
 Fon: +49 5231 14-0  
 Fax: +49 5231 14-2083  
 www.weidmueller.com



Male connectors with 90° outlet direction. The solder pin length is optimised for wave flow soldering. The pin headers provide space for labelling and can be coded.

- 800 V (IEC) / 300 V (UL)
- 18.5 A (IEC) / 15 A (UL)

### General ordering data

Order No.	<a href="#">1624160000</a>
Type	SL 7.62/03/90 3.2SN OR BX
Version	PCB plug-in connector, male header, open side, Solder connection, 7.62 mm, No. of poles: 3, 90°, Solder pin length: 3.2 mm, tinned, orange, Box
Product data	IEC: 800 V / 18.5 A UL: 300 V / 15 A
EAN	4008190195212
Qty.	100 pc(s).
Packaging	Box

## BL/SL 7.62 series SL 7.62/03/90 3.2SN OR BX

**Weidmüller Interface GmbH & Co. KG**  
Klingenbergstraße 16  
D-32758 Detmold  
Germany  
Fon: +49 5231 14-0  
Fax: +49 5231 14-2083  
www.weidmueller.com

## Technical data

### System parameters

Product family	BL/SL 7.62 series	Mounting onto the PCB	Solder connection
Outgoing elbow	90°	Pitch, in mm	7.62 mm
Pitch, in inches	0.3 inch	No. of poles	3
Solder pin length	3.2 mm	Can be coded	Yes
Number of rows	1	Number of solder pins per pole	1
Diameter of solder eyelet	1.3 mm	Tolerance of the diameter of the solder eyelet	+ 0,1 mm
L1 in mm	15.24 mm	L1 in inches	0.6 inch
Insulation resistance	10 <sup>3</sup> Ω	Touch-safe protection acc. to DIN VDE 57 106	Safe from finger touch, plugged

### Material data

Insulating material	PBT	Colour	orange
Insulating material group	IIIa	Flammability class UL 94	V-0
CTI	≥ 200	Contact material	CuSn
Contact surface	tinned	Continuous operating temp., min.	-25 °C
Continuous operating temp., max.	100 °C	Max. relative humidity during storage	80 %

### DIN IEC rating data

Rated current, min. no. of poles (Tu=20°C)	18.5 A	Rated current, max. no. of poles (Tu=20°C)	17 A
Rated current, number of poles (Tu=40°C), min	16 A	Rated current, number of poles (Tu=40°C), max.	14.5 A
Rated voltage for surge voltage class / pollution degree III/3	500 V	Rated impulse voltage for surge voltage class/ contamination degree III/3	6 kV
Rated voltage for surge voltage class / pollution degree III/2	630 V	Rated impulse voltage for surge voltage class/ pollution degree III/2	6 kV
Rated voltage for surge voltage class / pollution degree II/2	800 V	Rated impulse voltage for surge voltage class/ pollution degree II/2	6 kV
Short-time withstand current resistance	3 x 1s with 120 A		

### CSA rating data

Rated voltage (Use group B)	300 V	Rated current (use group B)	15 A
Rated voltage (use group D)	300 V	Rated current (use group D)	10 A

### UL 1059 rating data

Rated voltage (use group B)	300 V	Rated current (use group B)	15 A
Rated voltage (use group D)	300 V	Rated current (use group D)	10 A

### Classifications

ETIM 3.0	EC001284	ETIM 4.0	EC002637
UNSPSC	30-21-18-10	eClass 4.1	27-26-07-01
eClass 5.1	27-26-07-04	eClass 6.0	27-26-07-04

### Approvals

Approvals	CSA; CURUS; UR; ROHS
-----------	----------------------

**Datasheet****BL/SL 7.62 series**  
**SL 7.62/03/90 3.2SN OR BX****Weidmüller Interface GmbH & Co. KG**  
Klingenbergstraße 16  
D-32758 Detmold  
Germany  
Fon: +49 5231 14-0  
Fax: +49 5231 14-2083  
www.weidmueller.com**Technical data****Notes**

Notes

- Additional colours on request
- Gold-plated contact surfaces on request
- Rated current related to rated cross-section and min. No. of poles.
  
- Rated voltage for 7.62 mm pitch:  $U/2 = 1000 \text{ V} / 6 \text{ kV}$
- P on drg. = pitch
  
- Rated data refer only to the component itself. Clearance and creepage distances to other components are to be designed in accordance with the relevant application standards.

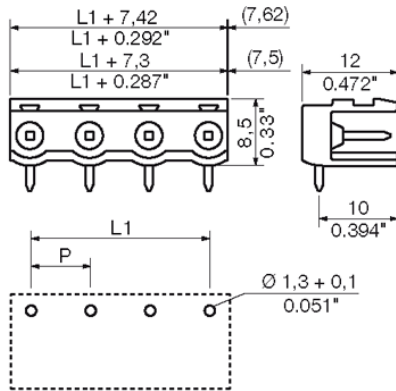
**Downloads**CAD Library (P-CAD Format - ASCII) [SL.LIA](#)CAD Library (P-CAD Format - Standard) [SL.LIB](#)[3D model](#)

**Datasheet**

**BL/SL 7.62 series**  
**SL 7.62/03/90 3.2SN OR BX**

**Weidmüller Interface GmbH & Co. KG**  
 Klingenbergstraße 16  
 D-32758 Detmold  
 Germany  
 Fon: +49 5231 14-0  
 Fax: +49 5231 14-2083  
 www.weidmueller.com

**Drawings**



## BL/SL 7.62 series SL 7.62/03/90 3.2SN OR BX

**Weidmüller Interface GmbH & Co. KG**  
 Klingenbergstraße 16  
 D-32758 Detmold  
 Germany  
 Fon: +49 5231 14-0  
 Fax: +49 5231 14-2083  
 www.weidmueller.com

### Mating connector (fully pluggable)

#### BLZ 7.62/90



Female plugs with clamping-yoke screw connection. The female plugs provide space for labelling and can be coded.

- 0.20 - 2.5 mm<sup>2</sup> (IEC) / 26 - 12 AWG (UL)
- 800 V (IEC) / 300 V (UL)
- 15 A (IEC) / 15 A (UL)

#### General ordering data

Order No.	Type	Version	Product data	EAN	Qty.	Packaging
<a href="#">1702680000</a>	BLZ 7.62/03/90 SN OR BX	PCB plug-in connector, female plug, 7.62 mm, No. of poles: 3, 90°, Clamping yoke connection, Clamping range, rated connection, max.: 3.31 mm <sup>2</sup> , Box	IEC: 800 V / 15 A / 0.2 - 2.5 mm <sup>2</sup> UL: 300 V / 10 A / AWG 26 - AWG 12	4008190909161	84 pc(s).	Box

#### BLZ 7.62/180



Female plugs with clamping-yoke screw wire-connect system. The female plugs provide space for labelling and can be coded.

- 0.20 - 2.5 mm<sup>2</sup> (IEC) / 26 - 12 AWG (UL)
- 800 V (IEC) / 300 V (UL)
- 18.5 A (IEC) / 15 A (UL)

#### General ordering data

Order No.	Type	Version	Product data	EAN	Qty.	Packaging
<a href="#">1623060000</a>	BLZ 7.62/03/180 SN OR BX	PCB plug-in connector, female plug, 7.62 mm, No. of poles: 3, 180°, Clamping yoke connection, Clamping range, rated connection, max.: 3.31 mm <sup>2</sup> , Box	IEC: 800 V / 18.5 A / 0.2 - 2.5 mm <sup>2</sup> UL: 300 V / 15 A / AWG 26 - AWG 12	4008190194116	100 pc(s).	Box

**BL/SL 7.62 series  
SL 7.62/03/90 3.2SN OR BX**

**Weidmüller Interface GmbH & Co. KG**  
Klingenbergstraße 16  
D-32758 Detmold  
Germany  
Fon: +49 5231 14-0  
Fax: +49 5231 14-2083  
www.weidmueller.com

**Mating connector (fully pluggable)**

**BLZ 7.62/270**



Female plugs with clamping-yoke screw connection. The female plugs provide space for labelling and can be coded.

- 0.20 - 2.5 mm<sup>2</sup> (IEC) / 26 - 12 AWG (UL)
- 800 V (IEC) / 300 V (UL)
- 15 A (IEC) / 15 A (UL)

**General ordering data**

Order No.	Type	Version	Product data	EAN	Qty.	Packaging
<a href="#">1703120000</a>	BLZ 7.62/03/270 SN OR BX	PCB plug-in connector, female plug, 7.62 mm, No. of poles: 3, 270°, Clamping yoke connection, Clamping range, rated connection, max.: 3.31 mm <sup>2</sup> , Box	IEC: 800 V / 15 A / 0.2 - 2.5 mm <sup>2</sup> UL: 300 V / 10 A / AWG 26 - AWG 12	4008190909635	84 pc(s).	Box

## BL/SL 7.62 series SL 7.62/03/90 3.2SN OR BX

**Weidmüller Interface GmbH & Co. KG**  
 Klingenbergstraße 16  
 D-32758 Detmold  
 Germany  
 Fon: +49 5231 14-0  
 Fax: +49 5231 14-2083  
 www.weidmueller.com

### Mating connector (conditionally pluggable)

#### BLZ 7.62/90B



Female plugs with clamping-yoke screw connection. The female plugs provide space for labelling and can be coded.

- 0.20 - 2.5 mm<sup>2</sup> (IEC) / 26 - 12 AWG (UL)
- 800 V (IEC) / 300 V (UL)
- 15 A (IEC) / 15 A (UL)

#### General ordering data

Order No.	Type	Version	Product data	EAN	Qty.	Packaging
<a href="#">1702900000</a>	BLZ 7.62/03/90B SN OR BX	PCB plug-in connector, female plug, 7.62 mm, No. of poles: 3, 90°, Clamping yoke connection, Clamping range, rated connection, max.: 3.31 mm <sup>2</sup> , Box	IEC: 800 V / 15 A / 0.2 - 2.5 mm <sup>2</sup> UL: 300 V / 10 A / AWG 26 - AWG 12	4008190909383	78 pc(s).	Box

#### BLZ 7.62/270B



Female plugs with clamping-yoke screw connection. The female plugs provide space for labelling and can be coded.

- 0.20 - 2.5 mm<sup>2</sup> (IEC) / 26 - 12 AWG (UL)
- 800 V (IEC) / 300 V (UL)
- 15 A (IEC) / 15 A (UL)

#### General ordering data

Order No.	Type	Version	Product data	EAN	Qty.	Packaging
<a href="#">1703340000</a>	BLZ 7.62/03/270B SN OR BX	PCB plug-in connector, female plug, 7.62 mm, No. of poles: 3, 270°, Clamping yoke connection, Clamping range, rated connection, max.: 3.31 mm <sup>2</sup> , Box	IEC: 800 V / 15 A / 0.2 - 2.5 mm <sup>2</sup> UL: 300 V / 10 A / AWG 26 - AWG 12	4008190909888	78 pc(s).	Box

## BL/SL 7.62 series SL 7.62/03/90 3.2SN OR BX

**Weidmüller Interface GmbH & Co. KG**  
 Klingenbergstraße 16  
 D-32758 Detmold  
 Germany  
 Fon: +49 5231 14-0  
 Fax: +49 5231 14-2083  
 www.weidmueller.com

### Mating connector (conditionally pluggable)

#### BLZ 7.62/180B



Female plugs with clamping-yoke screw wire-connect system. The female plugs provide space for labelling and can be coded.

- 0.20 - 2.5 mm<sup>2</sup> (IEC) / 26 - 12 AWG (UL)
- 800 V (IEC) / 300 V (UL)
- 18.5 A (IEC) / 15 A (UL)

#### General ordering data

Order No.	Type	Version	Product data	EAN	Qty.	Packaging
<a href="#">1623390000</a>	BLZ 7.62/03/180B SN OR BX	PCB plug-in connector, female plug, 7.62 mm, No. of poles: 3, 180°, Clamping yoke connection, Clamping range, rated connection, max.: 3.31 mm <sup>2</sup> , Box	IEC: 800 V / 18.5 A / 4008190194444 0.2 - 2.5 mm <sup>2</sup> UL: 300 V / 15 A / AWG 26 - AWG 12		100 pc(s).	Box

