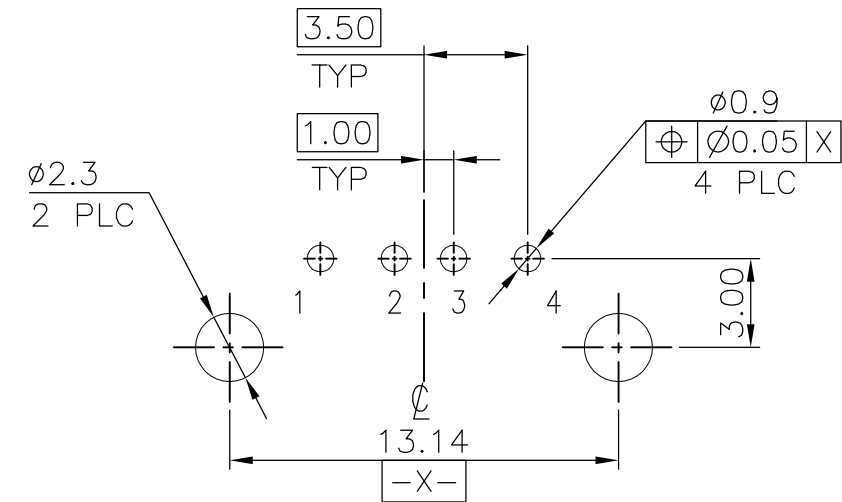
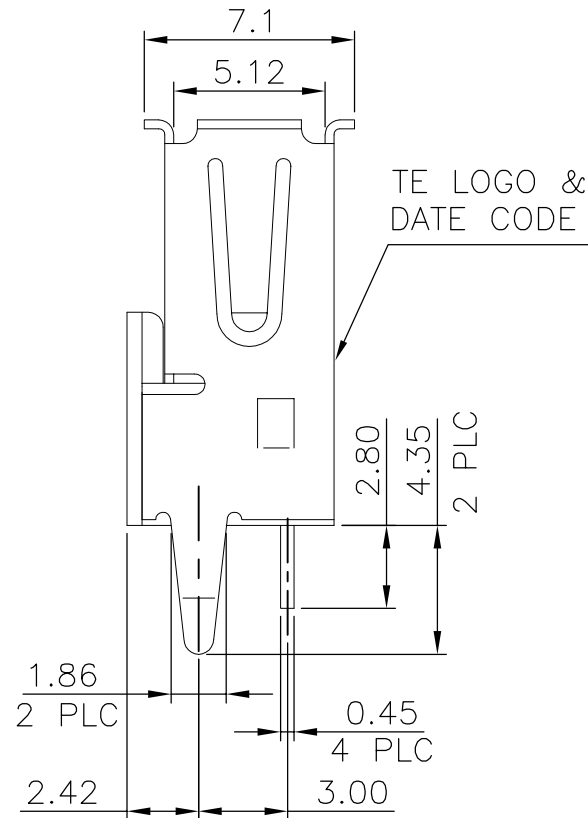
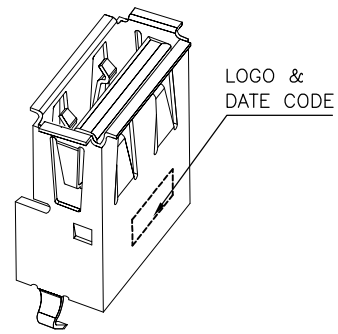
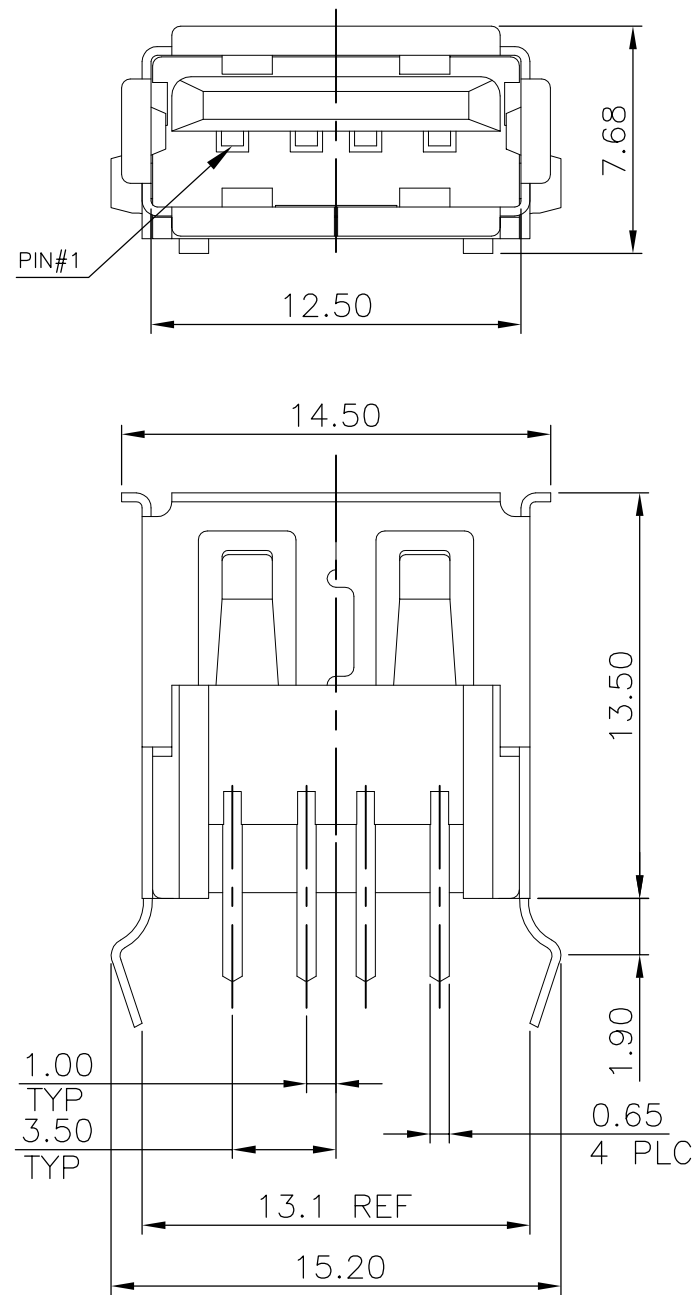
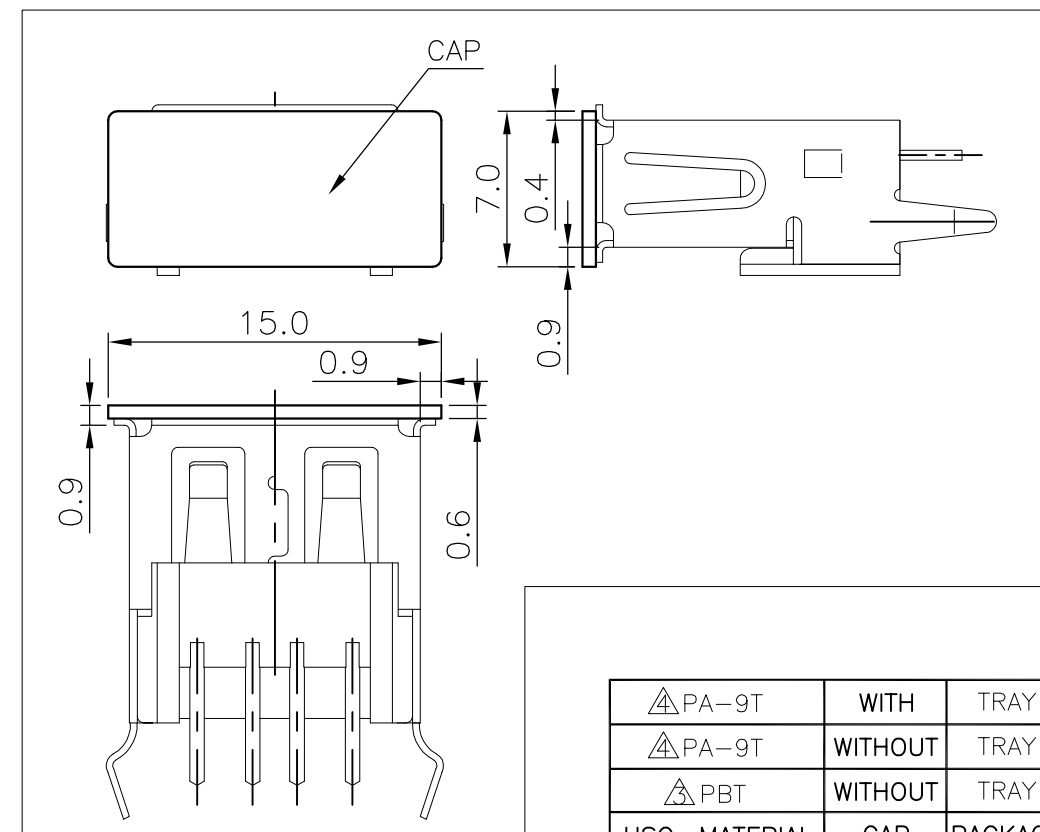


LOC	DIST	REVISIONS			
P	LTR	DESCRIPTION	DATE	DWN	APVD
DW	/	D2	ECR-15-011655	11AUG15	JL WK



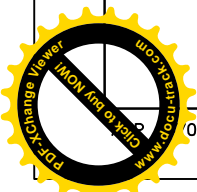
RECOMMEND P.C.B LAYOUT (THICKNESS=1.6mm)
 (COMPONENT SIDE) TOLERANCE ±0.05

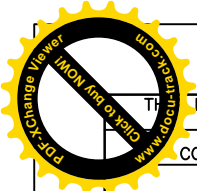


NOTES:

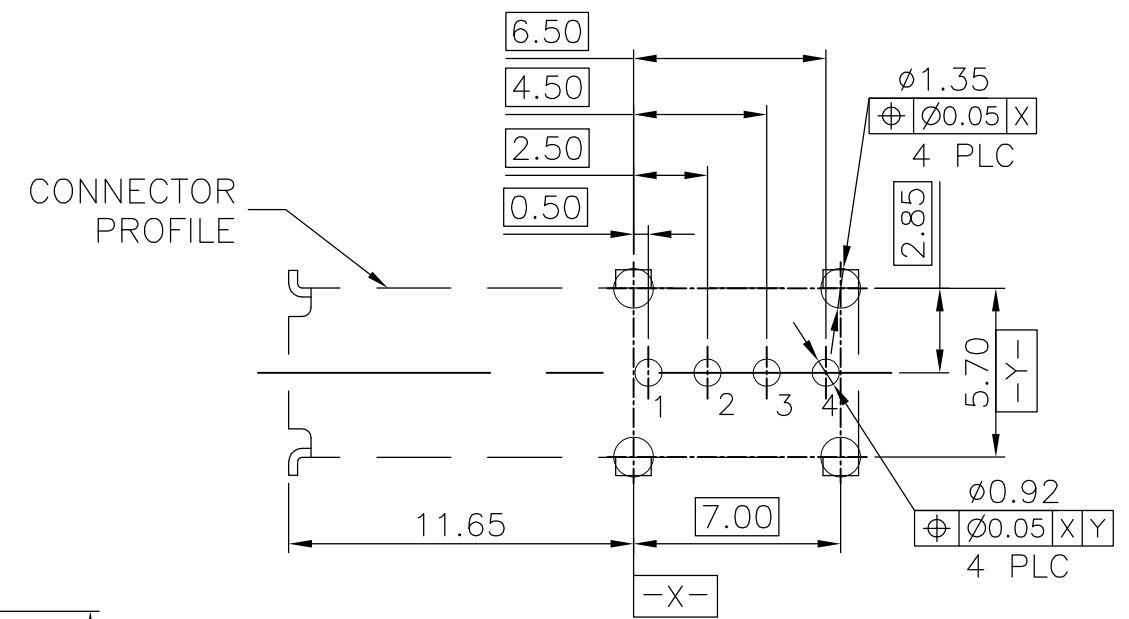
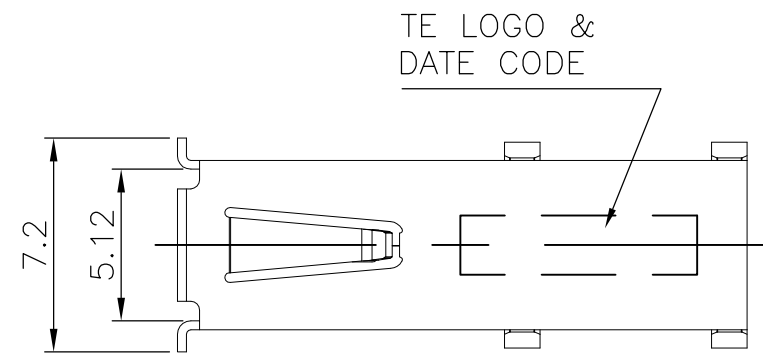
- MATERIAL:
 HOUSING: THERMOPLASTIC (SEE TABLE), WITH 30% GF. UL 94V-0 RATED, BLACK COLOR.
 CAP: THERMOPLASTIC HIGH TEMP WITH 30%GF, UL 94V-0, WHITE COLOR.
 CONTACT: PHOSPHOR BRONZE.
 SHIELD: BRASS.
- FINISH :
 CONTACT: 0.762µm [30µ"] MIN. GOLD PLATING ON CONTACT AREA.
 3.048µm [120µ"] MIN. MATTE-TIN PLATING ON SOLDER TAILS.
 WITH ENTIRE CONTACT UNDERPLATED 1.27µm [50µ"] MIN. NICKEL
 SHIELD: 0.762µm [30µ"] MIN. NICKEL PLATING WITH
 0.762µm [30µ"] MIN. Cu UNDERPLATING OVERALL
- WAVE SOLDER CAPABLE TO 240°C PER TE TEST SPEC. 109-202, CONDITION A.
- REFLOW SOLDER CAPABLE TO 260°C PER TE TEST SPEC. 109-201, CONDITION B.
- TID NUMBER IS 61000806 FOR USB 2.0 SPEC.

THIS DRAWING IS A CONTROLLED DOCUMENT.		DWN	O. HU	18MAR2005	TE Connectivity NAME USB CONNECTOR, A SERIES, VERTICAL, DIP TYPE
DIMENSIONS: MM		CHK	S. HOU	18MAR2005	
TOLERANCES UNLESS OTHERWISE SPECIFIED:		APVD	W.J. KE	18MAR2005	
0 PLC ± - 1 PLC ± 0.35 2 PLC ± 0.25 3 PLC ± 0.15 4 PLC ± - ANGLES ± 3°		PRODUCT SPEC		108-57549	
MATERIAL SEE NOTE		FINISH SEE NOTE		APPLICATION SPEC	501-57638
		WEIGHT		1.70 GRAMS	SIZE
		CUSTOMER DRAWING		A300779	CAGE CODE
				C=1734085	DRAWING NO
				SCALE	RESTRICTED TO
				1 OF 9	REV D2



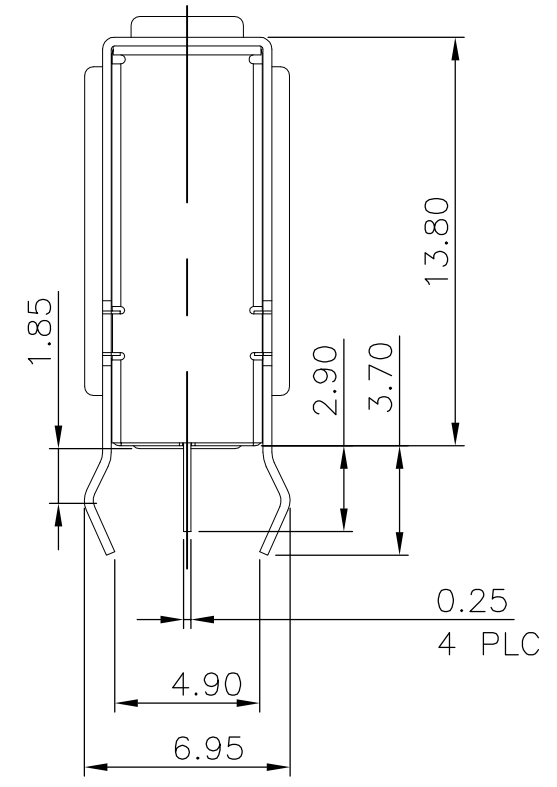
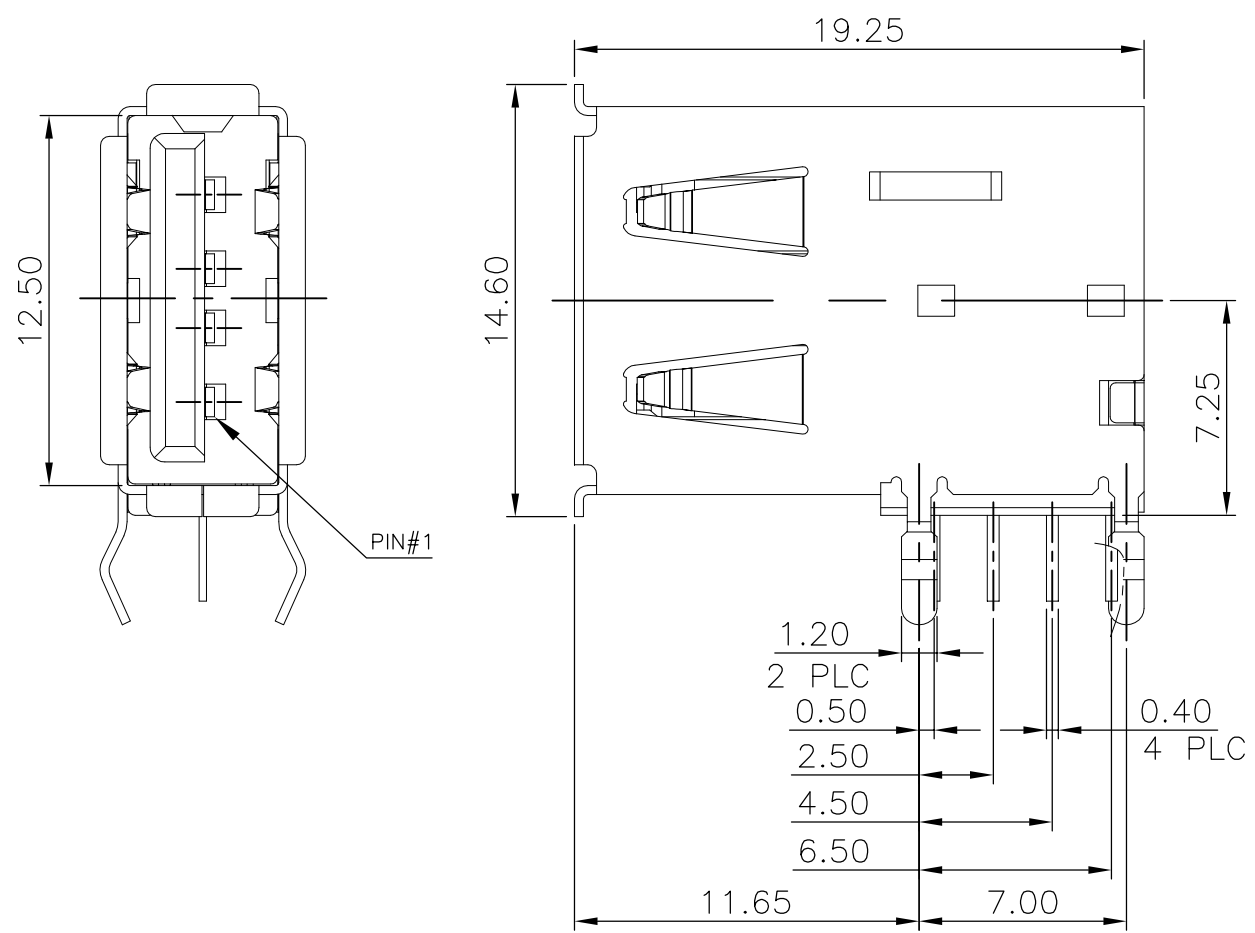


LOC	DIST	REVISIONS			
P	LTR	DESCRIPTION	DATE	DWN	APVD
		SEE SHEET 1.			



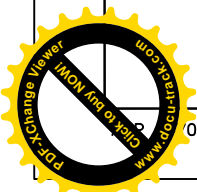
RECOMMEND P.C.B LAYOUT (THICKNESS 1.6mm)
(COMPONENT SIDE) TOLERANCE ±0.05

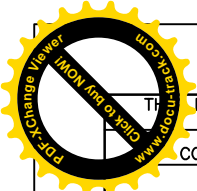
- NOTES :
- MATERIAL:
HOUSING: THERMOPLASTIC (SEE TABLE), WITH 30% GF. UL94V-0 RATED, BLACK COLOR
CONTACTS: PHOSPHOR BRONZE.
SHIELD: BRASS.
REAR SHIELD: SPCC.
 - FINISH:
CONTACT: 0.762µm [30µ"] MIN. GOLD PLATING ON CONTACT AREA
3.048µm [120µ"] MIN. BRIGHT TIN PLATING ON SOLDER TAILS WITH ENTIRE CONTACT UNDERPLATED 1.27µm [50µ"] MIN. NICKEL
SHIELD: 0.762µm [30µ"] MIN. NICKEL PLATING WITH 0.762µm [30µ"] MIN. Cu UNDERPLATING OVERALL
- ⚠ WAVE SOLDER CAPABLE TO 240°C PER TE TEST SPEC. 109-202, CONDITION A.
 - ⚠ REFLOW SOLDER CAPABLE TO 260°C PER TE TEST SPEC. 109-201, CONDITION B.
 - 5. TID NUMBER IS 61000806 FOR USB 2.0 SPEC.
 - ⚠ LOW HALOGEN SPECIFICATION:
CHLORINE(Cl): 900ppm MAX.
BROMINE(Br): 900ppm MAX.



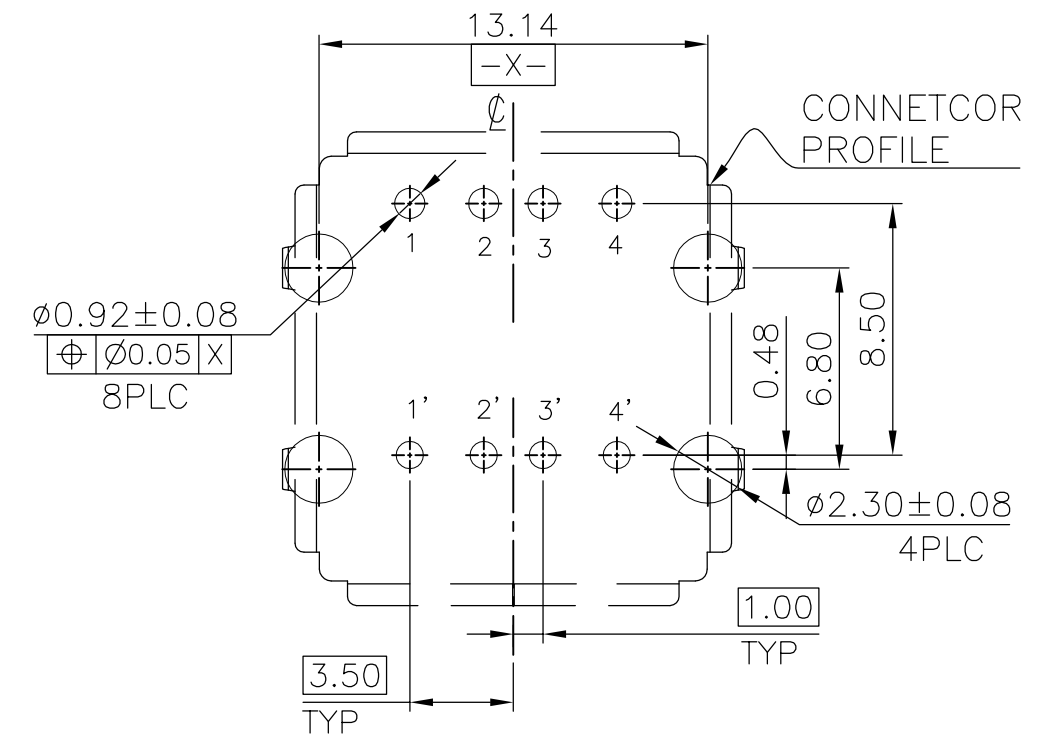
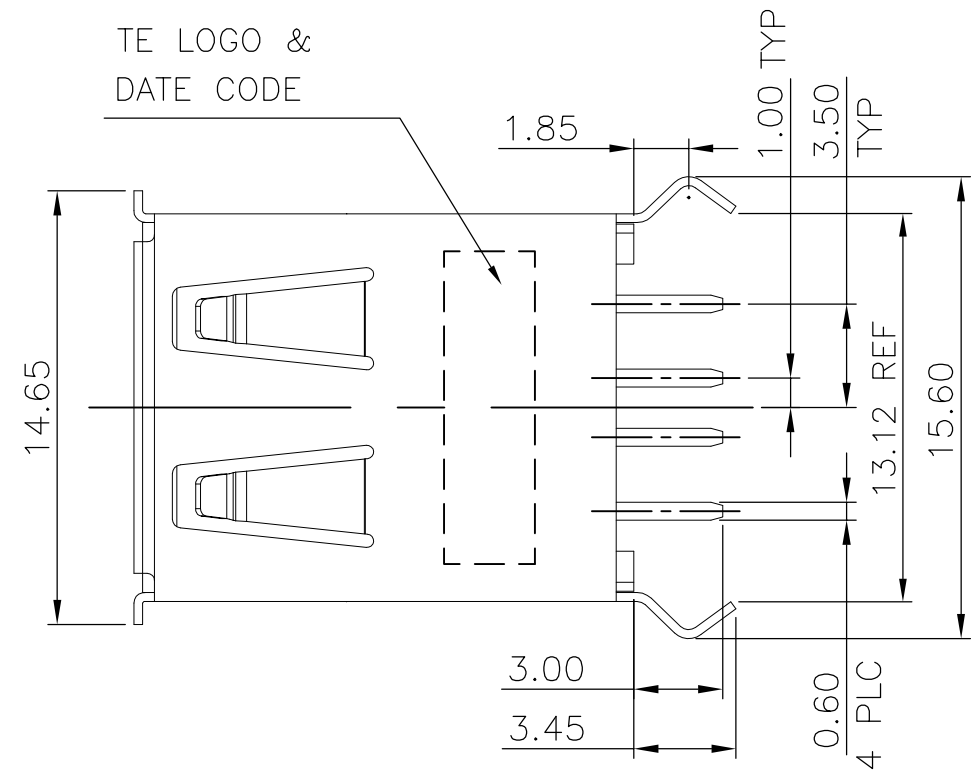
OBSOLETE	⚠ LCP	TRAY	1-1734085-3
OBSOLETE	⚠ PA-9T	TRAY	1-1734085-2
OBSOLETE	⚠ PBT	TRAY	1-1734085-1
	HSG. MATERIAL	PACKAGE	PART NUMBER

THIS DRAWING IS A CONTROLLED DOCUMENT.		DWN	TE Connectivity	
DIMENSIONS: MM		CHK		
TOLERANCES UNLESS OTHERWISE SPECIFIED:		APVD	NAME	
0 PLC ± -		PRODUCT SPEC	USB CONNECTOR, A SERIES, VERTICAL, DIP TYPE	
1 PLC ± 0.35		APPLICATION SPEC		
2 PLC ± 0.25		WEIGHT 2.8 GRAMS	SIZE A3	CAGE CODE 00779
3 PLC ± 0.15		CUSTOMER DRAWING	DRAWING NO C-1734085	RESTRICTED TO
4 PLC ± -			SCALE -	SHEET 2 OF 9
ANGLES ± 3'				REV D2
MATERIAL SEE NOTE				
FINISH SEE NOTE				

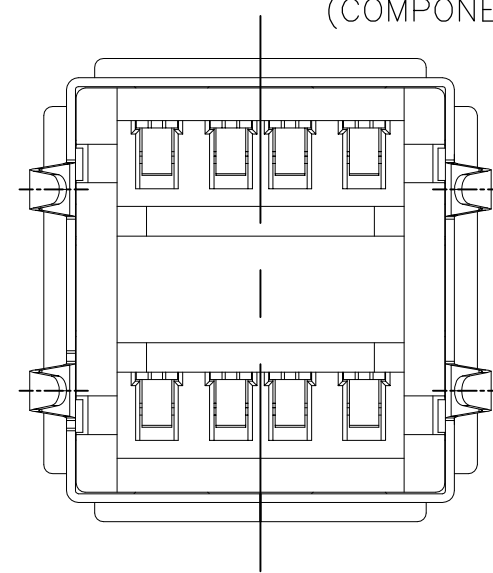
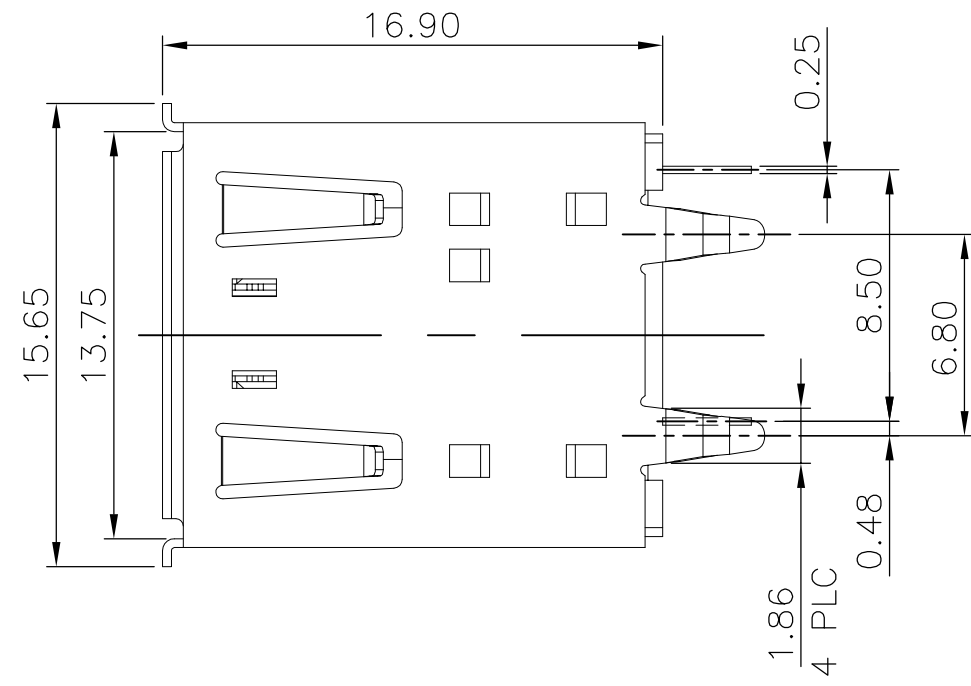
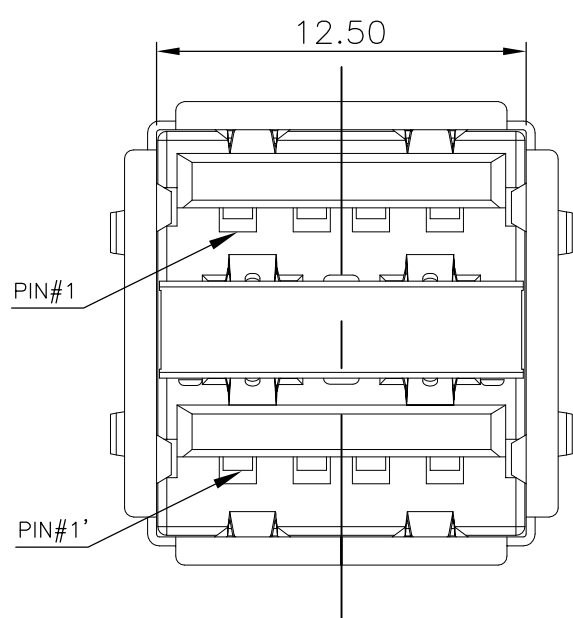




LOC	DIST	REVISIONS			
P	LTR	DESCRIPTION	DATE	DWN	APVD
DW		SEE SHEET 1.			



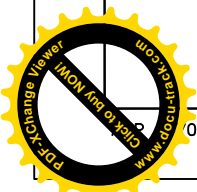
RECOMMEND P.C.B LAYOUT (THICKNESS 1.6mm)
 (COMPONENT SIDE) TOLERANCE ±0.05mm

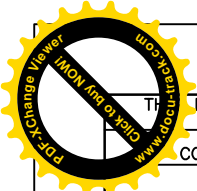


- NOTES:
- MATERIAL:
 HOUSING: THERMOPLASTIC (SEE TABLE), WITH 30% GF. UL 94V-0 RATED, BLACK COLOR
 CONTACT: BRASS.
 SHIELD: BRASS.
 - FINISH:
 CONTACT: 0.762µm [30µ"] MIN. GOLD PLATING ON CONTACT AREA.
 3.048µm [120µ"] MIN. BRIGHT TIN PLATING ON SOLDER TAILS WITH ENTIRE CONTACT UNDERPLATED 1.27µm [50µ"] MIN. NICKEL
 SHIELD: 0.762µm [30µ"] MIN. NICKEL PLATING WITH 0.762µm [30µ"] MIN. Cu UNDERPLATING OVERALL
 - WAVE SOLDER CAPABLE TO 240°C PER TE TEST SPEC. 109-202, CONDITION A.
 - REFLOW SOLDER CAPABLE TO 260°C PER TE TEST SPEC. 109-201, CONDITION B.
 - TID NUMBER IS 61000806 FOR USB 2.0 SPEC.

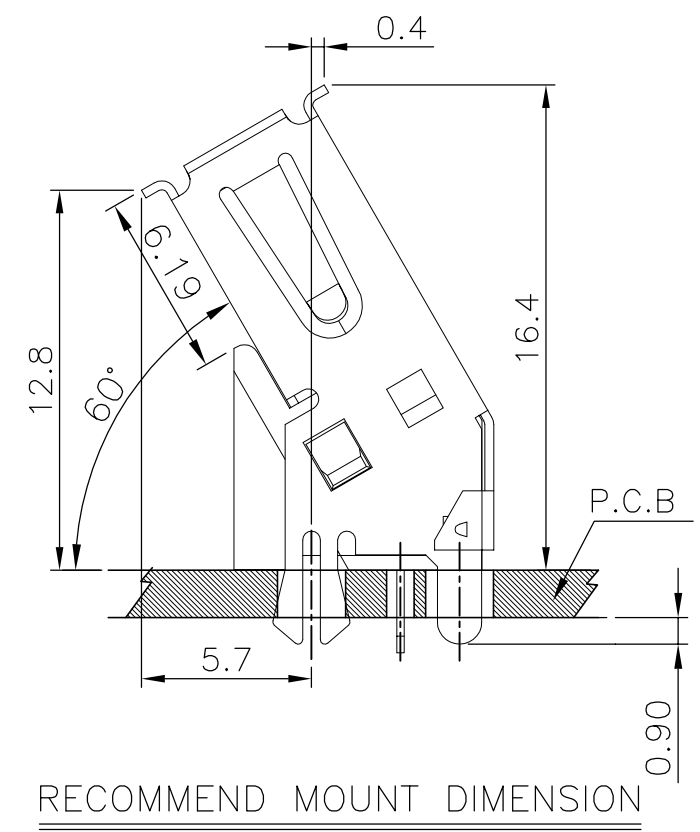
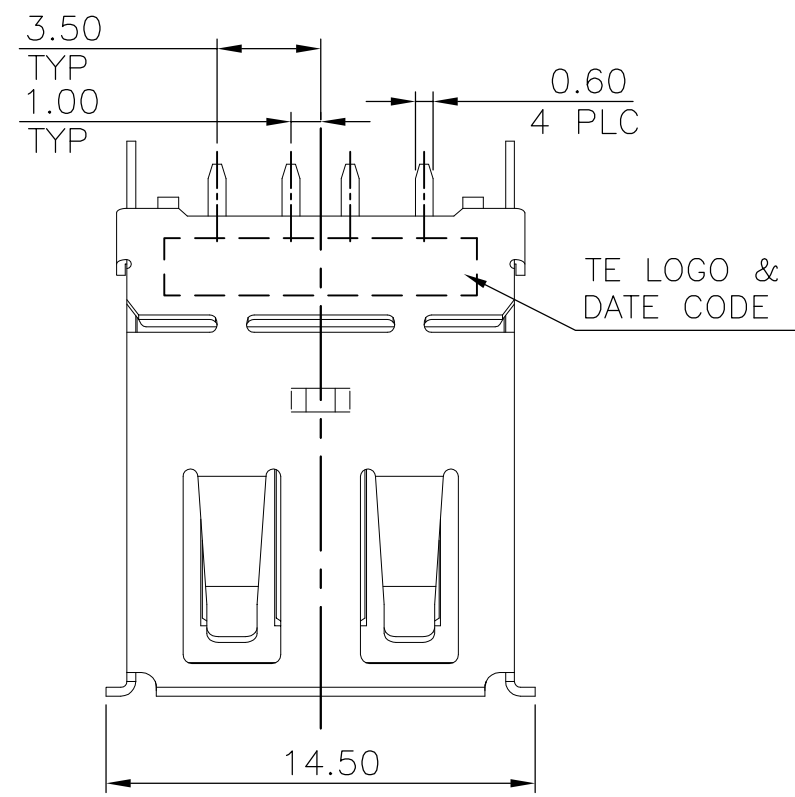
OBSOLETE	PA-9T	TRAY	2-1734085-2
OBSOLETE	PBT	TRAY	2-1734085-1
	HSG. MATERIAL	PACKAGE	PART NUMBER

THIS DRAWING IS A CONTROLLED DOCUMENT.		DWN		TE Connectivity	
DIMENSIONS: MM		CHK			
DIMENSIONS: MM 		APVD		NAME	
TOLERANCES UNLESS OTHERWISE SPECIFIED: 0 PLC ± - 1 PLC ± 0.35 2 PLC ± 0.25 3 PLC ± 0.15 4 PLC ± - ANGLES ± 3°		PRODUCT SPEC		USB CONNECTOR, A SERIES, VERTICAL, DIP TYPE	
MATERIAL SEE NOTE		FINISH SEE NOTE		APPLICATION SPEC	
		WEIGHT 4.57 GRAMS		SIZE A3	
		CUSTOMER DRAWING		CAGE CODE 00779	
				DRAWING NO. 1734085	
				RESTRICTED TO	
				SCALE -	
				SHEET 3 OF 9	
				REV D2	

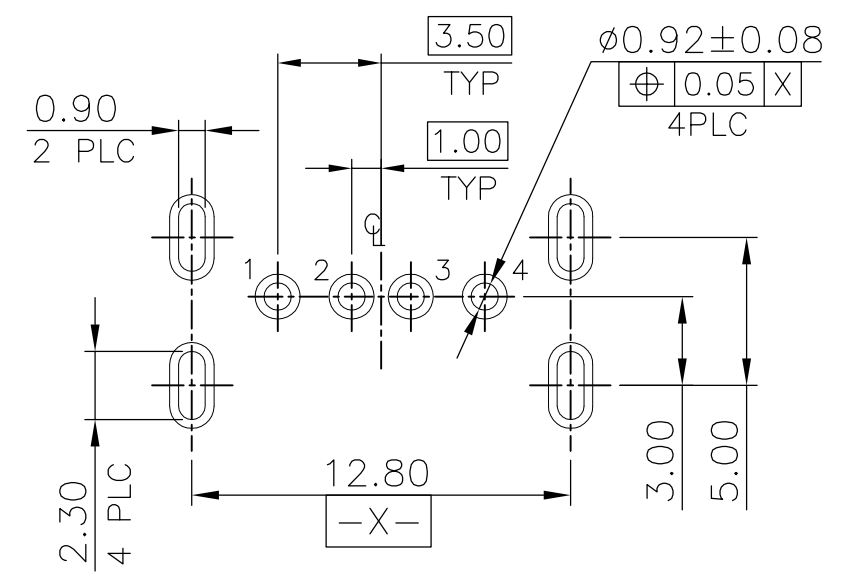
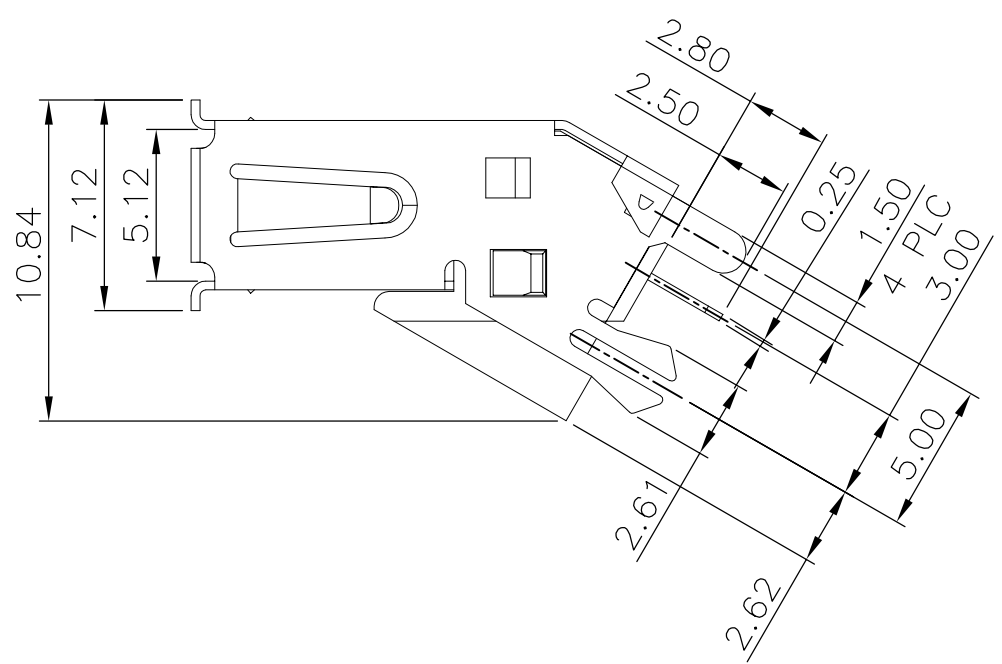
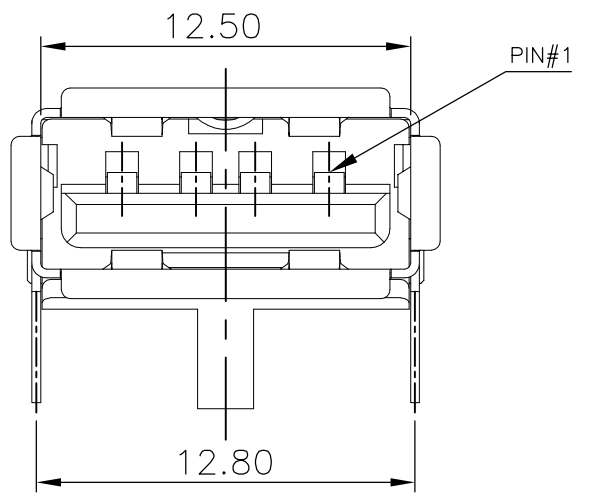




LOC	DIST	REVISIONS			
P	LTR	DESCRIPTION	DATE	DWN	APVD
DW		SEE SHEET 1.			



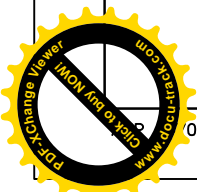
- NOTES:
- MATERIAL:
 HOUSING: THERMOPLASTIC (SEE TABLE), WITH 30% GF.
 UL 94V-0 RATED, BLACK COLOR
 CONTACT: PHOSPHOR BRONZE.
 SHIELD: BRASS.
 - FINISH:
 CONTACT: 0.762μm [30μ"] MIN. GOLD PLATING ON CONTACT AREA.
 3.048μm [120μ"] MIN. BRIGHT TIN PLATING ON
 SOLDERTAILS WITH ENTIRE CONTACT UNDERPLATED
 1.27μm [50μ"] MIN. NICKEL
 SHIELD: 0.762μm [30μ"] MIN. NICKEL PLATING WITH
 0.762μm [30μ"] MIN. Cu UNDER PLATING OVERALL
- ⚠ WAVE SOLDER CAPABLE TO 240°C PER TE TEST SPEC.
 109-202, CONDITION A.
 ⚠ REFLOW SOLDER CAPABLE TO 260°C PER TE TEST SPEC.
 109-201, CONDITION B.
 5. TID NUMBER IS 61000806 FOR USB 2.0 SPEC.

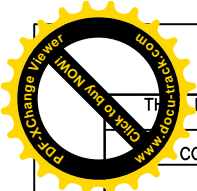


RECOMMEND P.C.B LAYOUT (THICKNESS 1.6mm)
 (COMPONENT SIDE) TOLERANCE ±0.05mm

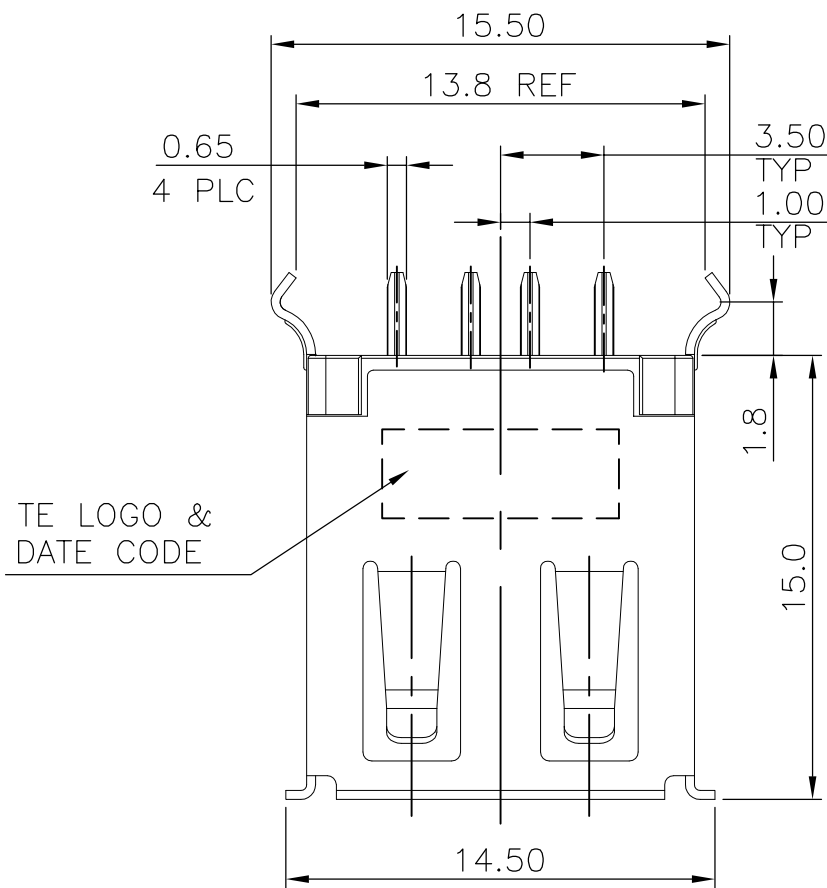
OBSOLETE	⚠ PA-9T	TRAY	3-1734085-2
OBSOLETE	⚠ PBT	TRAY	3-1734085-1
	HSG. MATERIAL	PACKAGE	PART NUMBER

THIS DRAWING IS A CONTROLLED DOCUMENT.		DWN	TE Connectivity				
DIMENSIONS: MM		CHK					
TOLERANCES UNLESS OTHERWISE SPECIFIED:		APVD	NAME				
0 PLC ± - 1 PLC ± 0.35 2 PLC ± 0.25 3 PLC ± 0.15 4 PLC ± - ANGLES ± 3°		PRODUCT SPEC	USB CONNECTOR, A SERIES, VERTICAL, DIP TYPE				
MATERIAL SEE NOTE		FINISH SEE NOTE	APPLICATION SPEC	SIZE	CAGE CODE	DRAWING NO	RESTRICTED TO
		WEIGHT 2.16 GRAMS	CUSTOMER DRAWING	A3	00779	C=1734085	
			SCALE	SHEET	4 OF 9	REV	D2



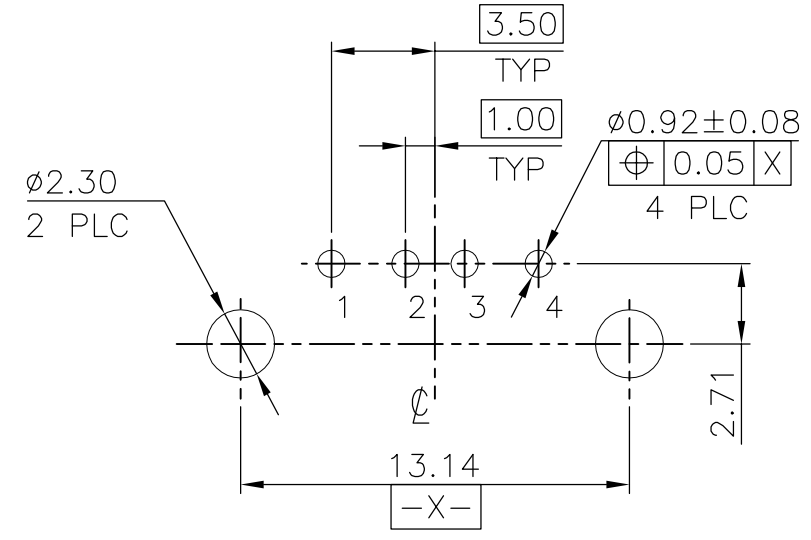
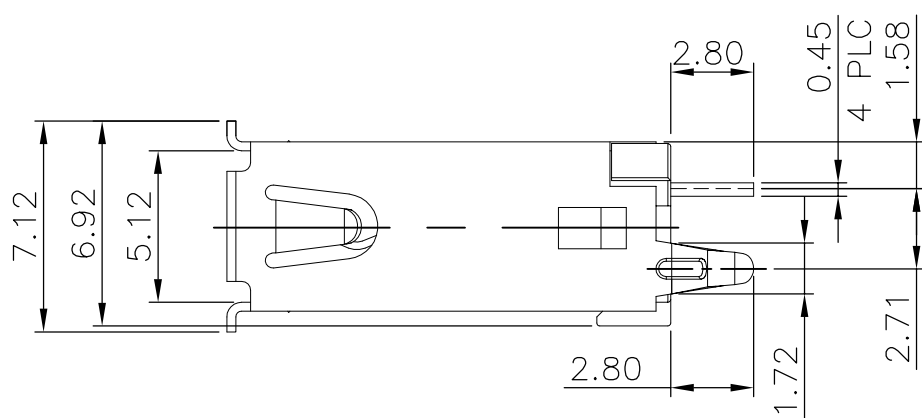
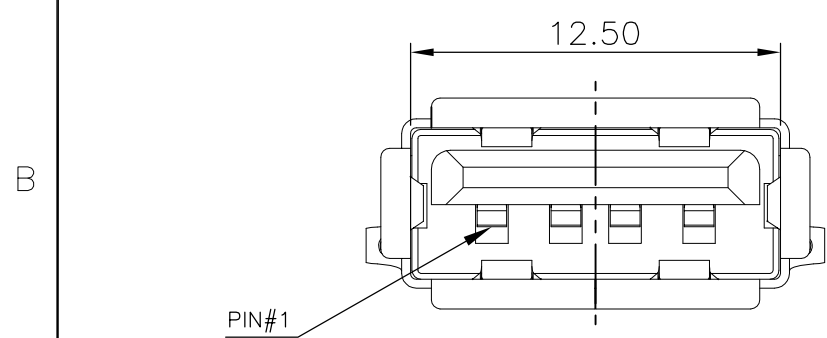


LOC	DIST	REVISIONS			
P	LTR	DESCRIPTION	DATE	DWN	APVD
		SEE SHEET 1.			



TE LOGO & DATE CODE

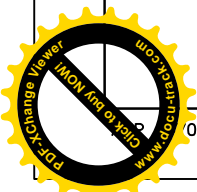
- NOTES:
- MATERIAL:
 HOUSING: THERMOPLASTIC (SEE TABLE), WITH 30% GF.
 UL 94V-0 RATED, BLACK: SEE TABLE.
 CONTACT: PHOSPHOR BRONZE.
 SHIELD: BRASS.
 - FINISH :
 CONTACT: 0.762μm [30μ"] MIN. GOLD PLATING ON CONTACT AREA.
 3.048μm [120μ"] MIN. BRIGHT TIN PLATING ON SOLDER TAILS
 WITH ENTIRE CONTACT UNDERPLATED 1.27μm [50μ"] MIN. NICKEL.
 SHIELD: 0.762μm [30μ"] MIN. NICKEL PLATING WITH
 0.762μm [30μ"] MIN. Cu UNDER PLATING OVERALL
 - WAVE SOLDER CAPABLE TO 240°C PER TE TEST SPEC. 109-202, CONDITION A.
 - REFLOW SOLDER CAPABLE TO 260°C PER TE TEST SPEC. 109-201, CONDITION B.
 - TID NUMBER IS 61000806 FOR USB 2.0 SPEC.

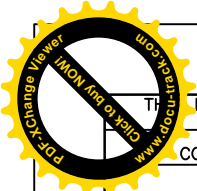


RECOMMEND P.C.B LAYOUT (THICKNESS 1.6mm)
 (COMPONENT SIDE) TOLERANCE ±0.05mm

NATURE	△PA-9T	TRAY	4-1734085-2
WHITE	△PBT	TRAY	4-1734085-1
HSG. COLOR	HSG. MATERIAL	PACKAGE	PART NUMBER

THIS DRAWING IS A CONTROLLED DOCUMENT.		DWN	TE TE Connectivity	
DIMENSIONS: MM		CHK		
TOLERANCES UNLESS OTHERWISE SPECIFIED:		APVD	NAME	
0 PLC ± -		PRODUCT SPEC	USB CONNECTOR, A SERIES, VERTICAL, DIP TYPE	
1 PLC ± 0.35		APPLICATION SPEC		
2 PLC ± 0.25		WEIGHT 1.70 GRAMS	SIZE A3	CAGE CODE 00779
3 PLC ± 0.15		CUSTOMER DRAWING	DRAWING NO C-1734085	RESTRICTED TO
4 PLC ± -			SCALE -	SHEET 5 OF 9
ANGLES ± 3'				REV D2
MATERIAL SEE NOTE				
FINISH SEE NOTE				





4

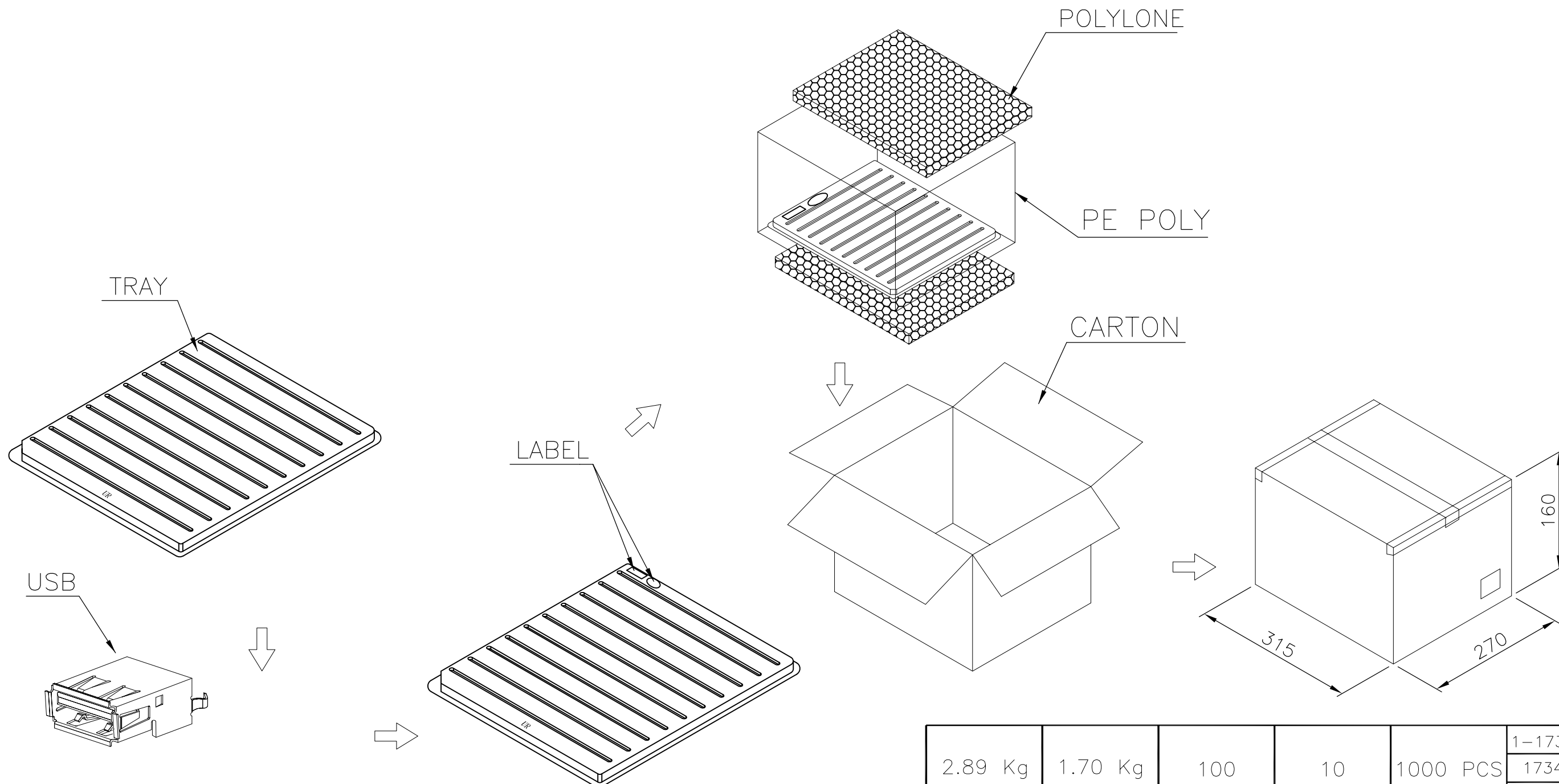
3

2

1

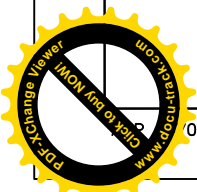
DRAWING IS UNPUBLISHED. RELEASED FOR PUBLICATION AUG ,2006.
 COPYRIGHT 2009 BY TYCO ELECTRONICS CORPORATION. ALL RIGHTS RESERVED.

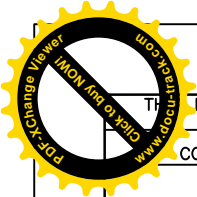
LOC	DIST	REVISIONS				
P	LTR	DESCRIPTION	DATE	DWN	APVD	
		SEE SHEET 1.				



2.89 Kg	1.70 Kg	100	10	1000 PCS	1-1734085-X
					1734085-2
					1734085-1
GROSS WEIGHT	NET WEIGHT	PCS/TRAY	TRAYS /CARTON	QUANTITY	PART NUMBER

THIS DRAWING IS A CONTROLLED DOCUMENT.		DWN		TE Connectivity USB CONNECTOR, A SERIES, VERTICAL, DIP TYPE	
DIMENSIONS: MM		CHK			
		APVD			
TOLERANCES UNLESS OTHERWISE SPECIFIED: 0 PLC ± - 1 PLC ± - 2 PLC ± - 3 PLC ± - 4 PLC ± - ANGLES ± -		PRODUCT SPEC			
MATERIAL		WEIGHT		NAME	
FINISH		CUSTOMER DRAWING		APPLICATION SPEC	
				SIZE CAGE CODE DRAWING NO RESTRICTED TO	
				A3 00779 C=1734085	
				SCALE SHEET 6 OF 9 REV D2	





4

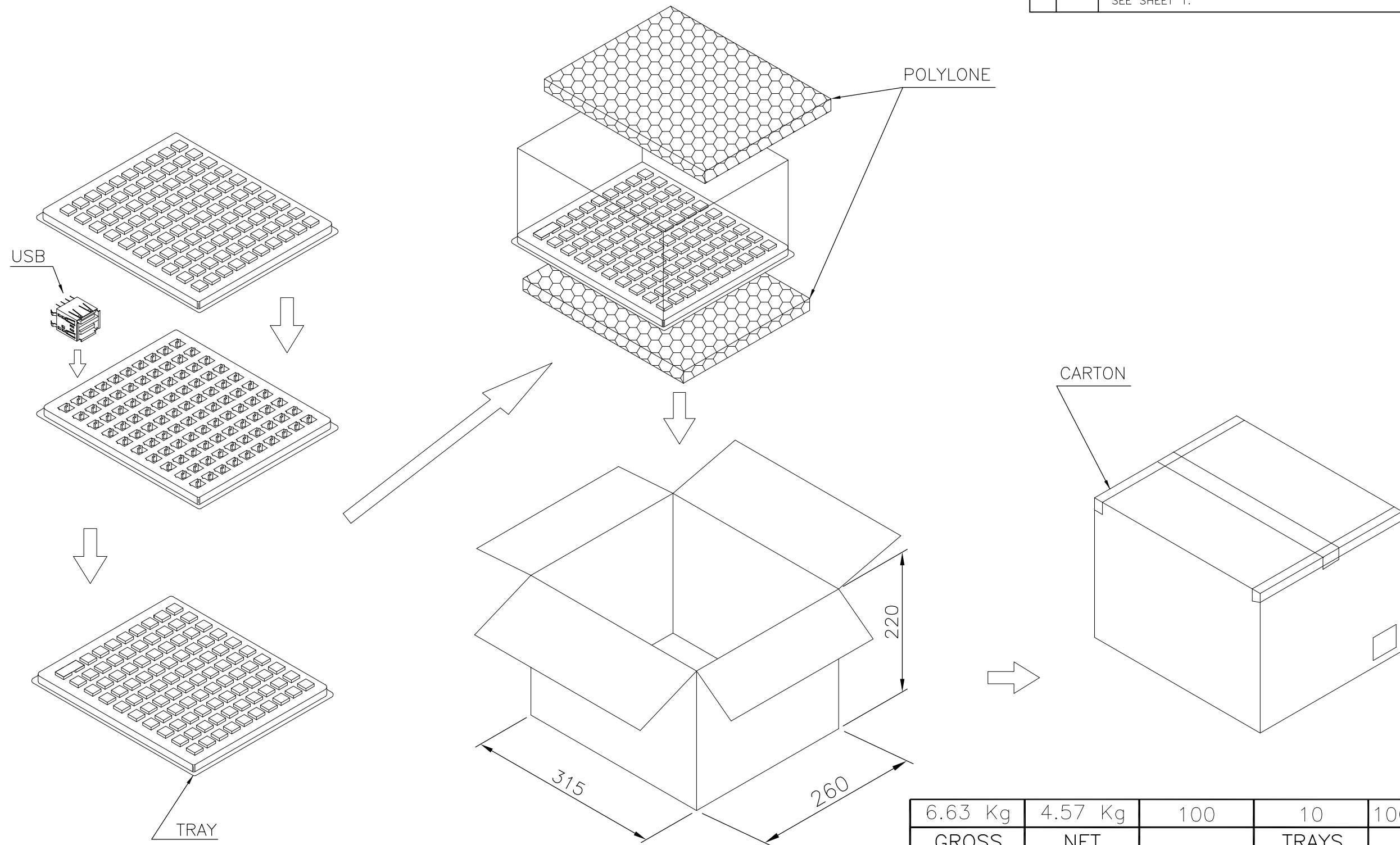
3

2

1

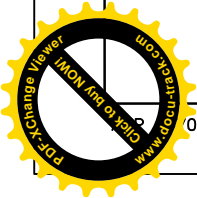
DRAWING IS UNPUBLISHED. RELEASED FOR PUBLICATION AUG ,2006.
 COPYRIGHT 2009 BY TYCO ELECTRONICS CORPORATION. ALL RIGHTS RESERVED.

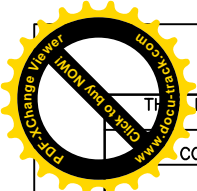
LOC	DIST	REVISIONS				
P	LTR	DESCRIPTION	DATE	DWN	APVD	
DW	/	SEE SHEET 1.				



6.63 Kg	4.57 Kg	100	10	1000 PCS	2-1734085-X
GROSS WEIGHT	NET WEIGHT	PCS/TRAY	TRAYS /CARTON	QUANTITY	PART NUMBER

THIS DRAWING IS A CONTROLLED DOCUMENT.		DWN		TE Connectivity USB CONNECTOR, A SERIES, VERTICAL, DIP TYPE	
DIMENSIONS: MM		CHK			
		APVD			
TOLERANCES UNLESS OTHERWISE SPECIFIED: 0 PLC ± - 1 PLC ± - 2 PLC ± - 3 PLC ± - 4 PLC ± - ANGLES ± -		PRODUCT SPEC			
MATERIAL		FINISH		NAME	
				APPLICATION SPEC	
				SIZE	
				CAGE CODE	
				DRAWING NO	
				RESTRICTED TO	
				A3 00779 C=1734085	
				WEIGHT	
				CUSTOMER DRAWING	
				SCALE	
				SHEET 7 of 9	
				REV D2	





4

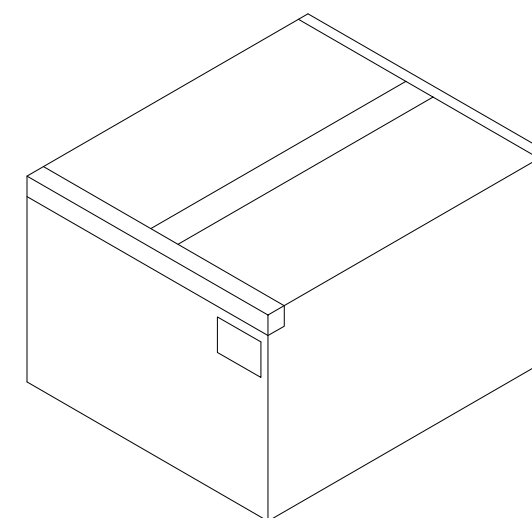
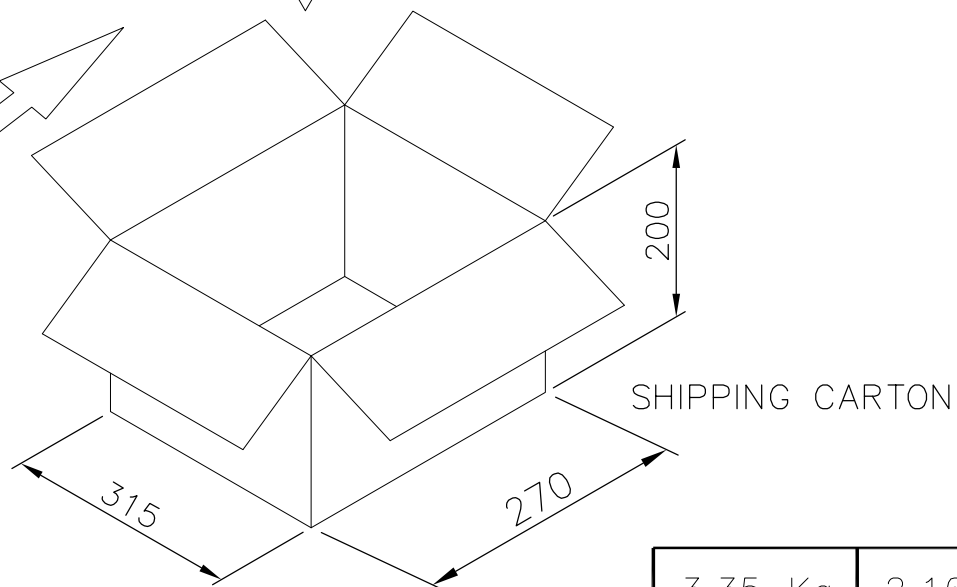
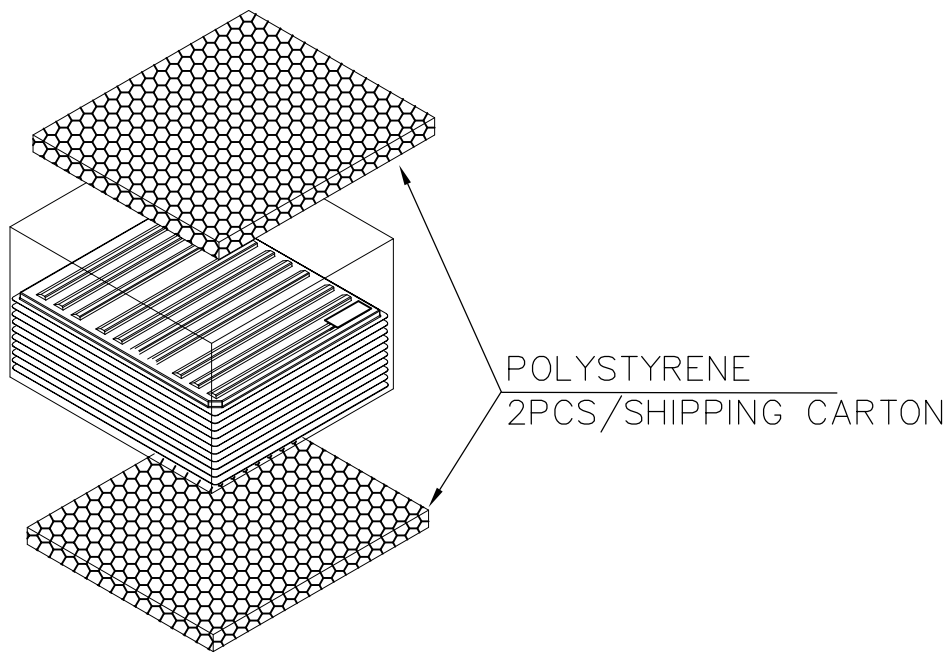
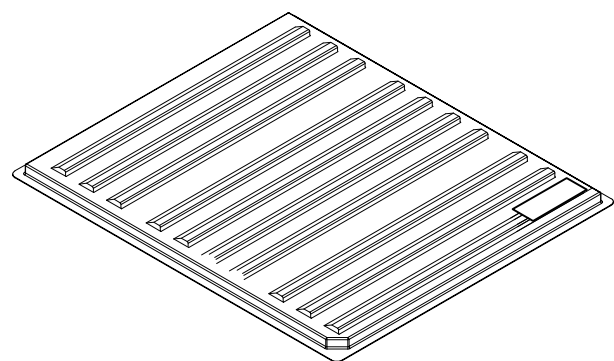
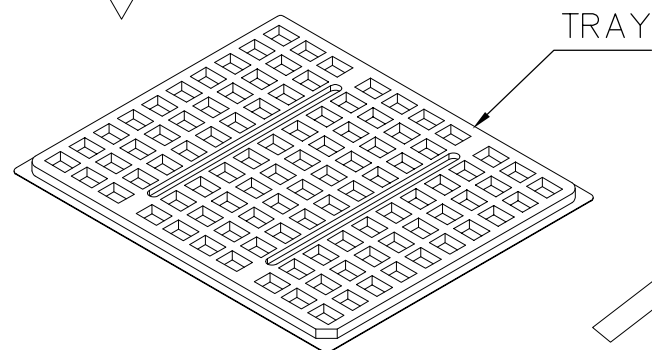
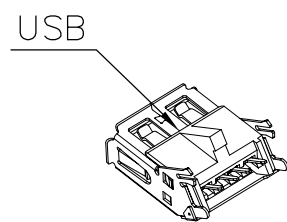
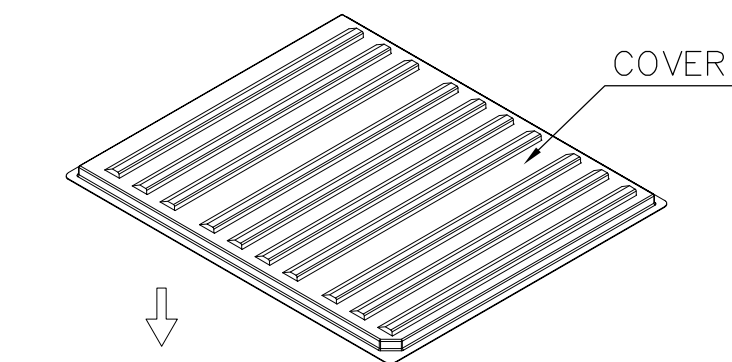
3

2

1

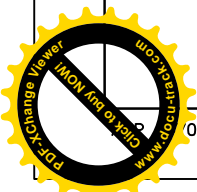
DRAWING IS UNPUBLISHED. RELEASED FOR PUBLICATION AUG ,2006.
 COPYRIGHT 2009 BY TYCO ELECTRONICS CORPORATION. ALL RIGHTS RESERVED.

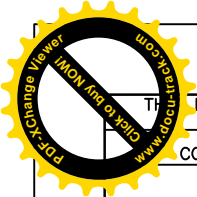
LOC	DIST	REVISIONS				
P	LTR	DESCRIPTION	DATE	DWN	APVD	
		SEE SHEET 1.				



3.35 Kg	2.16 Kg	100	10	1000 PCS	4-1734085-X
GROSS WEIGHT	NET WEIGHT	PCS/TRAY	TRAYS /CARTON	QUANTITY	PART NUMBER
					3-1734085-X

THIS DRAWING IS A CONTROLLED DOCUMENT.		DWN		TE Connectivity NAME USB CONNECTOR, A SERIES, VERTICAL, DIP TYPE		
DIMENSIONS: MM		TOLERANCES UNLESS OTHERWISE SPECIFIED:				APVD
		0 PLC ± - 1 PLC ± - 2 PLC ± - 3 PLC ± - 4 PLC ± - ANGLES ± -				PRODUCT SPEC
MATERIAL		FINISH				APPLICATION SPEC
				WEIGHT	RESTRICTED TO	
				CUSTOMER DRAWING	SIZE CAGE CODE DRAWING NO	
					A3 00779 C=1734085	
				SCALE	SHEET 8 of 9 REV D2	





4

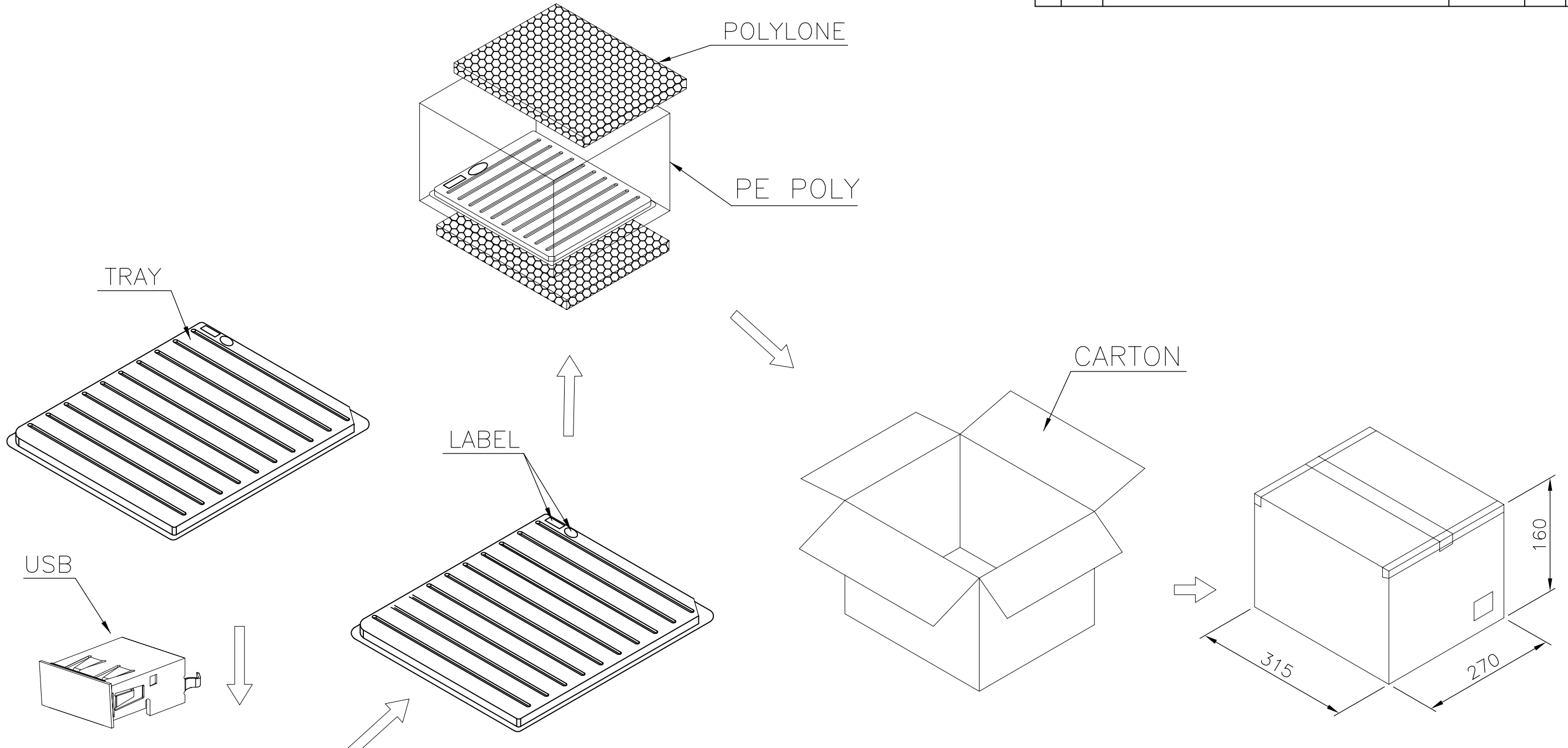
3

2

1

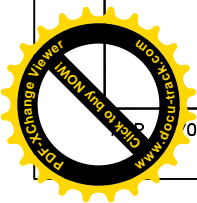
DRAWING IS UNPUBLISHED. RELEASED FOR PUBLICATION AUG ,2006.
 COPYRIGHT 2009 BY TYCO ELECTRONICS CORPORATION. ALL RIGHTS RESERVED.

LOC	DIST	REVISIONS			
P	LTR	DESCRIPTION	DATE	DWN	APVD
		SEE SHEET 1.			



2.04 Kg	1.85 Kg	100	10	1000 PCS	1734085-3
GROSS WEIGHT	NET WEIGHT	PCS/TRAY	TRAYS /CARTON	QUANTITY	PART NUMBER

THIS DRAWING IS A CONTROLLED DOCUMENT.		DWN		TE Connectivity USB CONNECTOR, A SERIES, VERTICAL, DIP TYPE			
DIMENSIONS: MM		CHK				NAME	
		APVD				PRODUCT SPEC	
TOLERANCES UNLESS OTHERWISE SPECIFIED: 0 PLC ± - 1 PLC ± - 2 PLC ± - 3 PLC ± - 4 PLC ± - ANGLES ± -		APPLICATION SPEC				RESTRICTED TO	
MATERIAL		FINISH		WEIGHT			
				-			
		CUSTOMER DRAWING		SCALE			
				-			
				SHEET 9 of 9			
				REV D2			



Mouser Electronics

Authorized Distributor

Click to View Pricing, Inventory, Delivery & Lifecycle Information:

[TE Connectivity:](#)

[1734085-1](#)