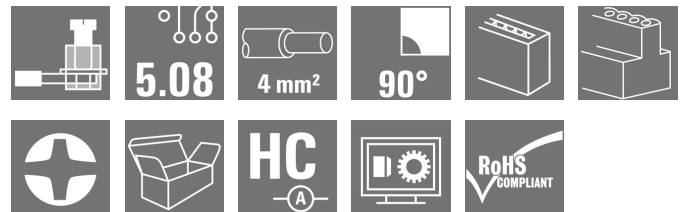


**OMNIMATE Signal - series BL/SL 5.08
BLZP 5.08HC/12/90 SN BK BX**

Weidmüller Interface GmbH & Co. KG
Klingenbergstraße 16
D-32758 Detmold
Germany
Fon: +49 5231 1429-0
Fax: +49 5231 14292083
www.weidmueller.com



Female plugs with clamping-yoke connection for connecting wires with a right-angle (90° or 270°) outlet direction. The female connectors provide space for labelling and can be coded. Fastened by means of a flange or release latch. They also provide an integrated plus/minus screw, protection against faulty insertion of the wire, and they are delivered with open clamping yokes. HC = High Current.

General ordering data

Type	BLZP 5.08HC/12/90 SN BK BX
Order No.	1948340000
Version	PCB plug-in connector, female plug, 5.08 mm, No. of poles: 12, 90°, Clamping yoke connection, Clamping range, rated connection, max.: 4 mm², Box
GTIN (EAN)	4032248624867
Qty.	30 pc(s).
Product data	IEC: 400 V / 23 A / 0.2 - 4 mm² UL: 300 V / 20 A / AWG 26 - AWG 12
Packaging	Box

**OMNIMATE Signal - series BL/SL 5.08
BLZP 5.08HC/12/90 SN BK BX**

Weidmüller Interface GmbH & Co. KG
Klingenbergstraße 16
D-32758 Detmold
Germany
Fon: +49 5231 1429-0
Fax: +49 5231 14292083
www.weidmueller.com

Technical data
Dimensions and weights

Net weight 23.8 g

System parameters

Product family	OMNIMATE Signal - series BL/SL 5.08	Type of connection	Socket connector
Wire connection method	Clamping yoke connection	Pitch in mm (P)	5.08 mm
Pitch in inches (P)	0.2 inch	Conductor outlet direction	90°
No. of poles	12	L1 in mm	55.88 mm
L1 in inches	2.2 inch	Number of rows	1
Pin series quantity	1	Rated cross-section	4 mm ²
Touch-safe protection acc. to DIN VDE 57 106	Safe from finger touch	Volume resistance	5.00 mΩ
Can be coded	Yes	Stripping length	7 mm
Tightening torque, min.	0.4 Nm	Tightening torque, max.	0.5 Nm
Clamping screw	M 2.5	Screwdriver blade standard	DIN 5264, ISO 8764/2-PH, ISO 8764/2-PZ
Plugging cycles	25	Packaging	Box

Material data

Insulating material	PBT	Colour	Black
Colour chart (similar)	RAL 9011	Insulating material group	IIIa
CTI	≥ 200	Insulation resistance	≥ 10 ⁸ Ω
UL 94 flammability rating	V-0	Contact material	Copper alloy
Contact surface	tinned	Layer structure of plug contact	4-8 μm Sn hot-dip tinned
Storage temperature, min.	-25 °C	Storage temperature, max.	55 °C
Max. relative humidity during storage	80 %	Operating temperature, min.	-50 °C
Operating temperature, max.	100 °C	Temperature range, installation, min.	-25 °C
Temperature range, installation, max.	100 °C		

Conductors suitable for connection

Clamping range, rated connection, min.	0.13 mm ²	Clamping range, rated connection, max.	4 mm ²
Wire connection cross section AWG, min.	AWG 30	Wire connection cross section AWG, max.	AWG 12
Solid, min. H05(07) V-U	0.2 mm ²	Solid, max. H05(07) V-U	4 mm ²
Flexible, min. H05(07) V-K	0.2 mm ²	Flexible, max. H05(07) V-K	4 mm ²
w. plastic collar ferrule, DIN 46228 pt 4, min.	0.2 mm ²	w. plastic collar ferrule, DIN 46228 pt 4, max.	2.5 mm ²
w. wire end ferrule, DIN 46228 pt 1, min.	0.2 mm ²	w. wire end ferrule, DIN 46228 pt 1, max.	4 mm ²
Plug gauge acc. to EN 60999 a x b; Ø	2.8 mm x 2.4 mm		

OMNIMATE Signal - series BL/SL 5.08 BLZP 5.08HC/12/90 SN BK BX


Weidmüller Interface GmbH & Co. KG
Klingenbergstraße 16
D-32758 Detmold
Germany
Fon: +49 5231 1429-0
Fax: +49 5231 14292083
www.weidmueller.com

Technical data



Rated data acc. to IEC

tested acc. to standard	IEC 60664-1, IEC 61984	Rated current, min. no. of poles (Ta = 20°C)	23 A
Rated current, max. no. of poles (Ta = 20°C)	18 A	Rated current, min. no. of poles (Ta = 40°C)	21 A
Rated current, max. no. of poles (Ta = 40°C)	16 A	Rated voltage for surge voltage class / pollution degree II/2	400 V
Rated voltage for surge voltage class / pollution degree III/2	320 V	Rated voltage for surge voltage class / pollution degree III/3	250 V
Rated impulse voltage for surge voltage class/ pollution degree II/2	4 kV	Rated impulse voltage for surge voltage class/ pollution degree III/2	4 kV
Rated impulse voltage for surge voltage class/ contamination degree III/3	4 kV	Short-time withstand current resistance	3 x 1s with 120 A

Rated data acc. to CSA

Institute (CSA)		Certificate No. (CSA)	200039-1121690
Rated voltage (Use group B)	300 V	Rated voltage (Use group C)	50 V
Rated voltage (use group D)	300 V	Rated current (use group B)	20 A
Rated current (use group D)	20 A	Wire cross-section, AWG, min.	AWG 30
Wire cross-section, AWG, max.	AWG 12	Reference to approval values	Specifications are maximum values, details - see approval certificate.

Rated data acc. to UL 1059

Institute (UR)		Certificate No. (UR)	E60693
Institute (cURus)		Certificate No. (cURus)	E60693
Rated voltage (use group B)	300 V	Rated voltage (use group D)	300 V
Rated current (use group B)	20 A	Rated current (use group D)	10 A
Wire cross-section, AWG, min.	AWG 26	Wire cross-section, AWG, max.	AWG 12
Reference to approval values	Specifications are maximum values, details - see approval certificate.		

Classifications

ETIM 4.0	EC002637	ETIM 5.0	EC002637
ETIM 6.0	EC002637	eClass 6.2	27-26-07-04
eClass 7.1	27-44-04-02	eClass 8.1	27-44-04-02
eClass 9.0	27-44-04-02	eClass 9.1	27-44-04-02

**OMNIMATE Signal - series BL/SL 5.08
BLZP 5.08HC/12/90 SN BK BX**

Weidmüller Interface GmbH & Co. KG
 Klingenbergstraße 16
 D-32758 Detmold
 Germany
 Fon: +49 5231 1429-0
 Fax: +49 5231 14292083
 www.weidmueller.com

Technical data**Notes**

Notes	<ul style="list-style-type: none"> • Additional colours on request • Gold-plated contact surfaces on request • Rated current related to rated cross-section & min. No. of poles. • Wire end ferrule without plastic collar to DIN 46228/1 • Wire end ferrule with plastic collar to DIN 46228/4 • P on drawing = pitch • Rated data refer only to the component itself. Clearance and creepage distances to other components are to be designed in accordance with the relevant application standards.
IPC conformity	The products are developed, manufactured and delivered according to the internationally recognised IPC-A-610 standard, category "permissible". More extensive demands on the products can be evaluated on request.

Approvals

Approvals



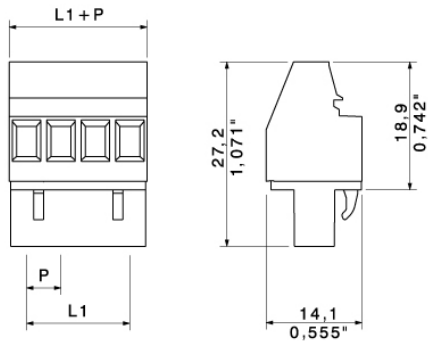
ROHS Conform

Downloads

Approval/Certificate/Document of Conformity	Declaration of the Manufacturer
Brochure/Catalogue	FL DRIVES EN MB DEVICE MANUF. EN FL DRIVES DE CAT 1 TERM 16/17 EN CAT 2 PORTFOLIOGUIDE EN FL BUILDING SAFETY EN FL APPL LED LIGHTING EN FLIndustr.CONTROLS EN FL MACHINE SAFETY EN FL HEATING ELECTR EN FL APPL INVERTER EN FL_BASE_STATION_EN FL ELEVATOR EN FL POWER SUPPLY EN FL 72H SAMPLE SER EN PO OMNIMATE EN
Engineering Data	EPLAN, WSCAD, Zuken E3.S

**OMNIMATE Signal - series BL/SL 5.08
BLZP 5.08HC/12/90 SN BK BX**

Weidmüller Interface GmbH & Co. KG
Klingenbergstraße 16
D-32758 Detmold
Germany
Fon: +49 5231 1429-0
Fax: +49 5231 14292083
www.weidmueller.com

Drawings**Dimensional drawing**

**OMNIMATE Signal - series BL/SL 5.08
BLZP 5.08HC/12/90 SN BK BX**

Weidmüller Interface GmbH & Co. KG
Klingenbergstraße 16
D-32758 Detmold
Germany
Fon: +49 5231 1429-0
Fax: +49 5231 14292083
www.weidmueller.com

Mating connector (fully pluggable)
SLDV 5.08/90B


Pin headers with solder pin length optimised for wave flow soldering. The male connectors provide space for labelling and can be coded. HC = High Current.

General ordering data

Type	Order No.	Version	GTIN (EAN)	Qty.	Product data	Packaging
SLD 5.08V/24/90B 3.2 SN OR BX	1726380000	PCB plug-in connector, male header, Dovetails for fixing blocks, THT solder connection, 5.08 mm, No. of poles: 24, 90°, Solder pin length (l): 3.2 mm, tinned, Orange, Box	4032248061358	10 pc(s).	IEC: 400 V / 17 A UL: 300 V / 10 A	Box

SL 5.08/180B


Male connectors with straight outlet direction. The solder pin length is optimised for wave flow soldering. The pin headers provide space for labelling and can be coded.

General ordering data

Delivery status Available until	Type	Order No.	Version	GTIN (EAN)	Qty.
This article will no longer be available in the future.	SL 5.08/12/180B 3.2SN OR BX	1520560000	PCB plug-in connector, male header, Dovetails for fixing blocks, THT solder connection, 5.08 mm, No. of poles: 12, 180°, Solder pin length (l): 3.2 mm, tinned, Orange, Box	4008190169077	50 pc(s).

**OMNIMATE Signal - series BL/SL 5.08
BLZP 5.08HC/12/90 SN BK BX**

Weidmüller Interface GmbH & Co. KG
Klingenbergstraße 16
D-32758 Detmold
Germany
Fon: +49 5231 1429-0
Fax: +49 5231 14292083
www.weidmueller.com

Mating connector (fully pluggable)
SL 5.08HC/180G


Pin headers in glass-fibre-reinforced plastic with straight wire outlet; optimised for wave soldering. The flange variant (F) can be screwed onto the respective counter piece or the circuit board. There is no need for an extra screw to connect the circuit board when the solder flange (LF) version is used. This also protects the solder points from mechanical strain. All pin headers can be manually coded or ordered pre-coded. HC = High Current.

General ordering data

Type	Order No.	Version	GTIN (EAN)	Qty.	Product data	Packaging
SL 5.08HC/12/180G 3.2SN OR BX	1146950000	PCB plug-in connector, male header, closed side, THT solder connection, 5.08 mm, No. of poles: 12, 180°, Solder pin length (l): 3.2 mm, tinned, Orange, Box	4032248108589	50 pc(s).	IEC: 400 V / 24 A UL: 300 V / 18.5 A	Box
SL 5.08HC/12/180G 3.2SN BK BX	1148970000	PCB plug-in connector, male header, closed side, THT solder connection, 5.08 mm, No. of poles: 12, 180°, Solder pin length (l): 3.2 mm, tinned, Black, Box	4032248934782	50 pc(s).	IEC: 400 V / 24 A UL: 300 V / 18.5 A	Box

SLS 5.08/180 SN


Male plugs with clamping-yoke screw wire-connect system. The male plugs provide space for labelling and can be coded.

General ordering data

Type	Order No.	Version	GTIN (EAN)	Qty.	Product data	Packaging
SLS 5.08/12/180 SN OR BX	1627190000	PCB plug-in connector, male plug, 5.08 mm, No. of poles: 12, 180°, Clamping yoke connection, Clamping range, rated connection, max.: 3.31 mm ² , Box	4008190199708	30 pc(s).	IEC: 400 V / 21.5 A / 0.2 - 2.5 mm ² UL: 300 V / 14 A / AWG 26 - AWG 12	Box

**OMNIMATE Signal - series BL/SL 5.08
BLZP 5.08HC/12/90 SN BK BX**

Weidmüller Interface GmbH & Co. KG
Klingenbergstraße 16
D-32758 Detmold
Germany
Fon: +49 5231 1429-0
Fax: +49 5231 14292083
www.weidmueller.com

Mating connector (fully pluggable)
SLS 5.08TB KF35


Male plugs with clamping-yoke screw wire-connect system. With clip-on feet for attaching the male plugs on rail. The male plugs provide space for labelling and can be coded.

General ordering data

Type	Order No.	Version	GTIN (EAN)	Qty.	Product data	Packaging
SLS 5.08/12/180TB KF SN OR BX	1846170000	PCB plug-in connector, male plug, 5.08 mm, No. of poles: 12, 180°, Clamping yoke connection, Clamping range, rated connection, max.: 3.31 mm², Box	4032248362455	10 pc(s).	IEC: 400 V / 21.5 A / 0.2 - 2.5 mm² UL: 300 V / 14 A / AWG 26 - AWG 12	Box

SL 5.08/90B


Male connectors with 90° outlet direction. The solder pin length is optimised for wave flow soldering. The pin headers provide space for labelling and can be coded.

General ordering data

Delivery status Available until	Type	Order No.	Version	GTIN (EAN)	Qty.
This article will no longer be available in the future.	SL 5.08/12/90B 3.2SN OR BX	1511360000	PCB plug-in connector, male header, Dovetails for fixing blocks, THT solder connection, 5.08 mm, No. of poles: 12, 90°, Solder pin length (!): 3.2 mm, tinned, Orange, Box	4008190015985	50 pc(s).

**OMNIMATE Signal - series BL/SL 5.08
BLZP 5.08HC/12/90 SN BK BX**

Weidmüller Interface GmbH & Co. KG
Klingenbergstraße 16
D-32758 Detmold
Germany
Fon: +49 5231 1429-0
Fax: +49 5231 14292083
www.weidmueller.com

Mating connector (fully pluggable)
SLF 5.08/180B SN


Male plug with PUSH IN wire connection and straight outlet direction, when used with BLF 5.08HC as wire-to-wire application for panel feed-through. The male plugs provide space for labelling and can be coded.

General ordering data

Type	Order No.	Version	GTIN (EAN)	Qty.	Product data	Packaging
SLF 5.08/12/180B SN OR BX	1335550000	PCB plug-in connector, male plug, 5.08 mm, No. of poles: 12, 180°, PUSH IN, Clamping range, rated connection, max.: 3.31 mm ² , Box	4050118138917 24 pc(s).		IEC: 400 V / 25.9 A / 0.2 - 2.5 mm ² UL: 300 V / 14 A / AWG 26 - AWG 12	Box
SLF 5.08/12/180B SN BK BX	1335990000	PCB plug-in connector, male plug, 5.08 mm, No. of poles: 12, 180°, PUSH IN, Clamping range, rated connection, max.: 3.31 mm ² , Box	4050118138955 24 pc(s).		IEC: 400 V / 25.9 A / 0.2 - 2.5 mm ² UL: 300 V / 14 A / AWG 26 - AWG 12	Box

SL 5.08HC/180B


Pin headers in glass-fibre-reinforced plastic with straight wire outlet; optimised for wave soldering. The flange variant (F) can be screwed onto the respective counter piece or the circuit board. There is no need for an extra screw to connect the circuit board when the solder flange (LF) version is used. This also protects the solder points from mechanical strain. All pin headers can be manually coded or ordered pre-coded. HC = High Current.

General ordering data

Type	Order No.	Version	GTIN (EAN)	Qty.	Product data	Packaging
SL 5.08HC/12/180B 3.2SN BK BX	1149730000	PCB plug-in connector, male header, Dovetails for fixing blocks, THT solder connection, 5.08 mm, No. of poles: 12, 180°, Solder pin length (l): 3.2 mm, tinned, Black, Box	4032248935246 50 pc(s).		IEC: 400 V / 24 A UL: 300 V / 18.5 A	Box
SL 5.08HC/12/180B 3.2SN OR BX	1147640000	PCB plug-in connector, male header, Dovetails for fixing blocks, THT solder connection, 5.08 mm, No. of poles: 12, 180°, Solder	4032248934355 50 pc(s).		IEC: 400 V / 24 A UL: 300 V / 18.5 A	Box

**OMNIMATE Signal - series BL/SL 5.08
BLZP 5.08HC/12/90 SN BK BX**

Weidmüller Interface GmbH & Co. KG
Klingenbergstraße 16
D-32758 Detmold
Germany
Fon: +49 5231 1429-0
Fax: +49 5231 14292083
www.weidmueller.com

Mating connector (fully pluggable)

pin length (l): 3.2 mm,
tinned, Orange, Box

SL 5.08/135B


Male connectors with 135° outlet direction. The solder pin length is optimised for wave flow soldering. The pin headers provide space for labelling and can be coded.

General ordering data

Type	Order No.	Version	GTIN (EAN)	Qty.	Product data	Packaging
SL	1605630000	PCB plug-in connector, male header, Dovetails for fixing blocks, THT solder connection, 5.08 mm, No. of poles: 12, 135°, Solder pin length (l): 3.2 mm, tinned, Orange, Box	4008190068738	50 pc(s).	IEC: 400 V / 17 A UL: 300 V / 15 A	Box

SLS 5.08/180B


Male plugs with clamping-yoke screw wire-connect system. The male plugs provide space for labelling and can be coded.

General ordering data

Type	Order No.	Version	GTIN (EAN)	Qty.	Product data	Packaging
SLS	1627340000	PCB plug-in connector, male plug, 5.08 mm, No. of poles: 12, 180°, Clamping yoke connection, Clamping range, rated connection, max.: 3.31 mm², Box	4008190199852	24 pc(s).	IEC: 400 V / 21.5 A / 0.2 - 2.5 mm² UL: 300 V / 14 A / AWG 26 - AWG 12	Box

**OMNIMATE Signal - series BL/SL 5.08
BLZP 5.08HC/12/90 SN BK BX**

Weidmüller Interface GmbH & Co. KG
Klingenbergstraße 16
D-32758 Detmold
Germany
Fon: +49 5231 1429-0
Fax: +49 5231 14292083
www.weidmueller.com

Mating connector (fully pluggable)

SL 5.08/180



Male connectors with straight outlet direction. The solder pin length is optimised for wave flow soldering. The pin headers provide space for labelling and can be coded.

General ordering data

Delivery status Available until	Type	Order No.	Version	GTIN (EAN)	Qty.
This article will no longer be available in the future.	SL 5.08/12/180 3.2SN OR BX	1518260000	PCB plug-in connector, male header, open side, THT solder connection, 5.08 mm, No. of poles: 12, 180°, Solder pin length (l): 3.2 mm, tinned, Orange, Box	4008190070991	50 pc(s).

SL 5.08/135



Male connectors with 135° outlet direction. The solder pin length is optimised for wave flow soldering. The pin headers provide space for labelling and can be coded.

General ordering data

Type	Order No.	Version	GTIN (EAN)	Qty.	Product data	Packaging
SL 5.08/12/135 3.2SN OR BX	1603160000	PCB plug-in connector, male header, open side, THT solder connection, 5.08 mm, No. of poles: 12, 135°, Solder pin length (l): 3.2 mm, tinned, Orange, Box	4008190094638	50 pc(s).	IEC: 400 V / 17 A UL: 300 V / 15 A	Box

**OMNIMATE Signal - series BL/SL 5.08
BLZP 5.08HC/12/90 SN BK BX**

Weidmüller Interface GmbH & Co. KG
Klingenbergstraße 16
D-32758 Detmold
Germany
Fon: +49 5231 1429-0
Fax: +49 5231 14292083
www.weidmueller.com

Mating connector (fully pluggable)
SL-SMT 5.08HC/90G Box


High-temperature-resistant pin header, packed in box or tape. On tape, with 1.5 mm solder pin, optimised for automatic assembly. 3.2 mm solder pin suitable for reflow and wave soldering. The pin headers provide space for labelling and can be coded. HC = High Current.

General ordering data

Type	Order No.	Version	GTIN (EAN)	Qty.	Product data	Packaging
SL-SMT 5.08HC/12/90G 1.5SN BK BX	1775102001	PCB plug-in connector, male header, closed side, THT/ THR solder connection, 5.08 mm, No. of poles: 12, 90°, Solder pin length (l): 1.5 mm, tinned, Black, Box	4032248156573	50 pc(s).	IEC: 400 V / 27.5 A UL: 300 V / 18.5 A	Box
SL-SMT 5.08HC/12/90G 3.2SN BK BX	1780280000	PCB plug-in connector, male header, closed side, THT/ THR solder connection, 5.08 mm, No. of poles: 12, 90°, Solder pin length (l): 3.2 mm, tinned, Black, Box	4032248165605	50 pc(s).	IEC: 400 V / 27.5 A UL: 300 V / 18.5 A	Box

SLS 5.08TB RF15


Male plugs with clamping-yoke screw wire-connect system. With clip-on feet for attaching the male plugs on rail. The male plugs provide space for labelling and can be coded.

General ordering data

Type	Order No.	Version	GTIN (EAN)	Qty.	Product data	Packaging
SLS 5.08/12/180TB RF15 SN OR BX	1846090000	PCB plug-in connector, male plug, 5.08 mm, No. of poles: 12, 180°, Clamping yoke connection, Clamping range, rated connection, max.: 3.31 mm ² , Box	4032248362370	10 pc(s).	IEC: 400 V / 21.5 A / 0.2 - 2.5 mm ² UL: 300 V / 14 A / AWG 26 - AWG 12	Box

**OMNIMATE Signal - series BL/SL 5.08
BLZP 5.08HC/12/90 SN BK BX**

Weidmüller Interface GmbH & Co. KG
Klingenbergstraße 16
D-32758 Detmold
Germany
Fon: +49 5231 1429-0
Fax: +49 5231 14292083
www.weidmueller.com

Mating connector (fully pluggable)
SLF 5.08/180 SN


Male plug with PUSH IN wire connection and straight outlet direction, when used with BLF 5.08HC as wire-to-wire application for panel feed-through. The male plugs provide space for labelling and can be coded.

General ordering data

Type	Order No.	Version	GTIN (EAN)	Qty.	Product data	Packaging
SLF 5.08/12/180 SN BK BX	1335750000	PCB plug-in connector, male plug, 5.08 mm, No. of poles: 12, 180°, PUSH IN, Clamping range, rated connection, max.: 3.31 mm ² , Box	4050118139075	30 pc(s).	IEC: 400 V / 25.9 A / 0.2 - 2.5 mm ² UL: 300 V / 14 A / AWG 26 - AWG 12	Box
SLF 5.08/12/180 SN OR BX	1335430000	PCB plug-in connector, male plug, 5.08 mm, No. of poles: 12, 180°, PUSH IN, Clamping range, rated connection, max.: 3.31 mm ² , Box	4050118138771	30 pc(s).	IEC: 400 V / 25.9 A / 0.2 - 2.5 mm ² UL: 300 V / 14 A / AWG 26 - AWG 12	Box

SL 5.08HC/180


Pin headers in glass-fibre-reinforced plastic with straight wire outlet; optimised for wave soldering. The flange variant (F) can be screwed onto the respective counter piece or the circuit board. There is no need for an extra screw to connect the circuit board when the solder flange (LF) version is used. This also protects the solder points from mechanical strain. All pin headers can be manually coded or ordered pre-coded. HC = High Current.

General ordering data

Type	Order No.	Version	GTIN (EAN)	Qty.	Product data	Packaging
SL 5.08HC/12/180 3.2SN OR BX	1146570000	PCB plug-in connector, male header, open side, THT solder connection, 5.08 mm, No. of poles: 12, 180°, Solder pin length (l): 3.2 mm, tinned, Orange, Box	4032248933167	50 pc(s).	IEC: 400 V / 24 A UL: 300 V / 18.5 A	Box
SL 5.08HC/12/180 3.2SN BK BX	1148330000	PCB plug-in connector, male header, open side, THT solder connection, 5.08 mm, No. of poles: 12, 180°,	4032248935154	50 pc(s).	IEC: 400 V / 24 A UL: 300 V / 18.5 A	Box

**OMNIMATE Signal - series BL/SL 5.08
BLZP 5.08HC/12/90 SN BK BX**

Weidmüller Interface GmbH & Co. KG
Klingenbergstraße 16
D-32758 Detmold
Germany
Fon: +49 5231 1429-0
Fax: +49 5231 14292083
www.weidmueller.com

Mating connector (fully pluggable)

Solder pin length (l): 3.2
mm, tinned, Black, Box

SL-SMT 5.08HC/90 Box


High-temperature-resistant, 90° angled, open male header. Packed in box or tape. On tape, with 1.5 mm solder pin, optimised for automatic assembly. 3.2 mm solder pin suitable for reflow and wave soldering. The pin headers provide space for labelling and can be coded. HC = High Current.

General ordering data

Delivery status Available until	Type	Order No.	Version	GTIN (EAN)	Qty.
Discontinued 2014-05-20T00:00:00+02:00	SL-SMT 5.08HC/12/90 1.5SN BK BX	1774862001	PCB plug-in connector, male header, open side, THT/THR solder connection, 5.08 mm, No. of poles: 12, 90°, Solder pin length (l): 1.5 mm, tinned, Black, Box	4032248155903	50 pc(s).
SL-SMT 5.08HC/12/90 3.2SN BK BX	PCB plug-in connector, male header, open side, THT/ THR solder connection, 5.08 mm, No. of poles: 12, 90°, Solder pin length (l): 3.2 mm, tinned, Black, Box	1780050000	4032248165377 50 pc(s).	IEC: 400 V / 27.5 A UL: 300 V / 18.5 A	Box

SL 5.08HC/90B


Pin headers made from glass-fibre-reinforced plastic with 90° wire outlet; optimised for wave soldering. The flange variant (F) can be screwed onto the respective counter piece or the circuit board. There is no need for an extra screw to connect the circuit board when the solder flange (LF) version is used. This also protects the solder points from mechanical strain. All pin headers can be manually coded or ordered pre-coded. HC = High Current.

General ordering data

Type	Order No.	Version	GTIN (EAN)	Qty.	Product data	Packaging
SL 5.08HC/12/90B 3.2SN OR BX	1154880000	PCB plug-in connector, male header, Dovetails for fixing blocks, THT solder connection, 5.08 mm, No. of poles: 12, 90°, Solder pin	4050118050943	50 pc(s).	IEC: 400 V / 24 A UL: 300 V / 18.5 A	Box

Creation date January 1, 2018 1:32:54 AM CET

**OMNIMATE Signal - series BL/SL 5.08
BLZP 5.08HC/12/90 SN BK BX**

Weidmüller Interface GmbH & Co. KG
Klingenbergstraße 16
D-32758 Detmold
Germany
Fon: +49 5231 1429-0
Fax: +49 5231 14292083
www.weidmueller.com

Mating connector (fully pluggable)

length (l): 3.2 mm, tinned, Orange, Box				
SL 1155690000 5.08HC/12/90B 3.2SN BK BX	PCB plug-in connector, male header, Dovetails for fixing blocks, THT solder connection, 5.08 mm, No. of poles: 12, 90°, Solder pin length (l): 3.2 mm, tinned, Black, Box	4050118050257 50 pc(s).	IEC: 400 V / 24 A UL: 300 V / 18.5 A	Box

SLDV 5.08/180



Pin headers with solder pin length optimised for wave flow soldering. The male connectors provide space for labelling and can be coded. HC = High Current.

General ordering data

Type	Order No.	Version	GTIN (EAN)	Qty.	Product data	Packaging
SLD 5.08V/24/180 3.2SN OR BX	1725750000	PCB plug-in connector, male header, open side, THT solder connection, 5.08 mm, No. of poles: 24, 180°, Solder pin length (l): 3.2 mm, tinned, Orange, Box	4032248062041	10 pc(s).	IEC: 400 V / 14 A UL: 300 V / 10 A	Box

SL 5.08/90



Male connectors with 90° outlet direction. The solder pin length is optimised for wave flow soldering. The pin headers provide space for labelling and can be coded.

General ordering data

Delivery status Available until	Type	Order No.	Version	GTIN (EAN)	Qty.
This article will no longer be available in the future.	SL 5.08/12/90 3.2SN OR BX	1509060000	PCB plug-in connector, male header, open side, THT solder connection, 5.08 mm, No. of poles: 12, 90°, Solder pin length (l):	4008190105983	50 pc(s).

**OMNIMATE Signal - series BL/SL 5.08
BLZP 5.08HC/12/90 SN BK BX**

Weidmüller Interface GmbH & Co. KG
Klingenbergstraße 16
D-32758 Detmold
Germany
Fon: +49 5231 1429-0
Fax: +49 5231 14292083
www.weidmueller.com

Mating connector (fully pluggable)

3.2 mm, tinned,
Orange, Box

SL 5.08HC/90


Pin headers made from glass-fibre-reinforced plastic with 90° wire outlet; optimised for wave soldering. The flange variant (F) can be screwed onto the respective counter piece or the circuit board. There is no need for an extra screw to connect the circuit board when the solder flange (LF) version is used. This also protects the solder points from mechanical strain. All pin headers can be manually coded or ordered pre-coded. HC = High Current.

General ordering data

Type	Order No.	Version	GTIN (EAN)	Qty.	Product data	Packaging
SL 5.08HC/12/90 3.2SN OR BX	1146940000	PCB plug-in connector, male header, open side, THT solder connection, 5.08 mm, No. of poles: 12, 90°, Solder pin length (l): 3.2 mm, tinned, Orange, Box	405011805140750	50 pc(s).	IEC: 400 V / 24 A UL: 300 V / 18.5 A	Box
SL 5.08HC/12/90 3.2SN BK BX	1155150000	PCB plug-in connector, male header, open side, THT solder connection, 5.08 mm, No. of poles: 12, 90°, Solder pin length (l): 3.2 mm, tinned, Black, Box	405011805071450	50 pc(s).	IEC: 400 V / 24 A UL: 300 V / 18.5 A	Box

SL-SMT 5.08/180G Box


High-temperature-resistant pin header, packed in box or tape. On tape, with 1.5 mm solder pin, optimised for automatic assembly. 3.2 mm solder pin suitable for reflow and wave soldering. The pin headers provide space for labelling and can be coded. HC = High Current.

General ordering data

Type	Order No.	Version	GTIN (EAN)	Qty.	Product data	Packaging
SL-SMT 5.08HC/12/180G 1.5SN BK BX	1776022001	PCB plug-in connector, male header, closed side, THT/ THR solder connection, 5.08 mm, No. of poles: 12, 180°, Solder pin length (l): 1.5 mm, tinned, Black, Box	4032248159017	50 pc(s).	IEC: 400 V / 27.5 A UL: 300 V / 18.5 A	Box
SL-SMT 5.08HC/12/180G 3.2SN BK BX	1838310000	PCB plug-in connector, male header, closed side, THT/ THR solder connection,	4032248348374	50 pc(s).	IEC: 400 V / 27.5 A UL: 300 V / 18.5 A	Box

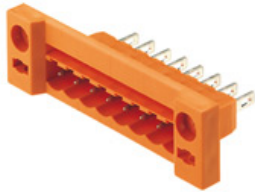
Creation date January 1, 2018 1:32:54 AM CET

**OMNIMATE Signal - series BL/SL 5.08
BLZP 5.08HC/12/90 SN BK BX**

Weidmüller Interface GmbH & Co. KG
Klingenbergstraße 16
D-32758 Detmold
Germany
Fon: +49 5231 1429-0
Fax: +49 5231 14292083
www.weidmueller.com

Mating connector (fully pluggable)

5.08 mm, No. of poles: 12,
180°, Solder pin length (l):
3.2 mm, tinned, Black, Box

SLDF 5.08


Male connector for through-panel mounting with optional locking function. Internal connection as flat-blade or solder connection. These male connectors provide space for labelling and can be coded.

General ordering data

Delivery status Available until	Type	Order No.	Version	GTIN (EAN)	Qty.
Discontinued 2016-04-08T00:00:00+02:00	SLDF 5.08 L/F 12 SN BK BX	1635840000	PCB plug-in connector, male header, 5.08 mm, No. of poles: 12, 180°, Flat-blade connection, Solder connection, Box	4008190264277	50 pc(s).
SLDF 5.08 L/F 12 SN OR BX	PCB plug-in connector, male header, 5.08 mm, No. of poles: 12, 180°, Flat-blade connection, Solder connection, Box	1599230000	4008190155100 50 pc(s).	IEC: 400 V / 15 A UL: 300 V / 10 A	Box

SL-SMT 5.08/180 Box


High-temperature-resistant, straight, open pin header. Packed in box or tape. On tape and with 1.5 mm solder pin, optimised for automatic assembly. 3.2 mm solder pin suitable for reflow and wave soldering. The pin headers provide space for labelling and can be coded. HC = High Current.

General ordering data

Type	Order No.	Version	GTIN (EAN)	Qty.	Product data	Packaging
SL-SMT 5.08HC/12/180 3.2SN BK BX	1838080000	PCB plug-in connector, male header, open side, THT/THR solder connection, 5.08 mm, No. of poles: 12, 180°, Solder pin length (l): 3.2 mm, tinned, Black, Box	4032248348145	50 pc(s).	IEC: 400 V / 27.5 A UL: 300 V / 18.5 A	Box

**OMNIMATE Signal - series BL/SL 5.08
BLZP 5.08HC/12/90 SN BK BX**

Weidmüller Interface GmbH & Co. KG
Klingenbergstraße 16
D-32758 Detmold
Germany
Fon: +49 5231 1429-0
Fax: +49 5231 14292083
www.weidmueller.com

Mating connector (fully pluggable)

Discontinued	2016-04-08T00:00:00+02:00	SL-SMT 5.08HC/12/180 1.5SN BK BX	1775702001	PCB plug-in connector, male header, open side, THT/THR solder connection, 5.08 mm, No. of poles: 12, 180°, Solder pin length (l): 1.5 mm, tinned, Black, Box	4032248158348	50 pc(s).
--------------	---------------------------	-------------------------------------	----------------------------	---	---------------	--------------

SLT 5.08B


Male plugs with screw TOP wire connection. The male plug provides space for labelling and can be coded.

General ordering data

Type	Order No.	Version	GTIN (EAN)	Qty.	Product data	Packaging
SLT 5.08/12/180B SN OR BX	1611810000	PCB plug-in connector, male plug, 5.08 mm, No. of poles: 12, 180°, TOP connection, Clamping range, rated connection, max.: 2.5 mm ² , Box	4008190192693	50 pc(s).	IEC: 400 V / 16 A / 0.2 - 2.5 mm ² UL: 300 V / 15 A / AWG 26 - AWG 14	Box

SLDV 5.08/90


Pin headers with solder pin length optimised for wave flow soldering. The male connectors provide space for labelling and can be coded. HC = High Current.

General ordering data

Delivery status	Available until	Type	Order No.	Version	GTIN (EAN)	Qty.
Discontinued	2014-05-20T00:00:00+02:00	SLD 5.08V/24/90 3.2 SN OR BX	1725270000	PCB plug-in connector, male header, open side, THT solder connection, 5.08 mm, No. of poles: 24, 90°, Solder	4032248060672	10 pc(s).

Data sheet

**OMNIMATE Signal - series BL/SL 5.08
BLZP 5.08HC/12/90 SN BK BX**

Weidmüller Interface GmbH & Co. KG
Klingenbergstraße 16
D-32758 Detmold
Germany
Fon: +49 5231 1429-0
Fax: +49 5231 14292083
www.weidmueller.com

Mating connector (fully pluggable)

pin length (!):
3.2 mm, tinned,
Orange, Box

