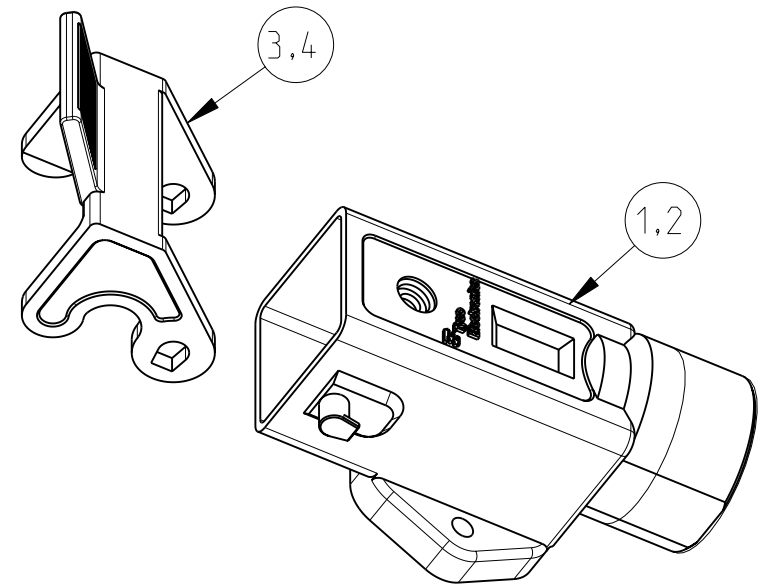


THIS DRAWING IS UNPUBLISHED. RELEASED FOR PUBLICATION 2008
 © COPYRIGHT 2008 BY TYCO ELECTRONICS CORPORATION. ALL RIGHTS RESERVED.

LOC	DIST	REVISIONS						
		P	LTR	DESCRIPTION	DATE	DWN	APVD	
A1	-		A3	DETAIL ADDED	ECR-08-031345	10.10.2008	SR	ST

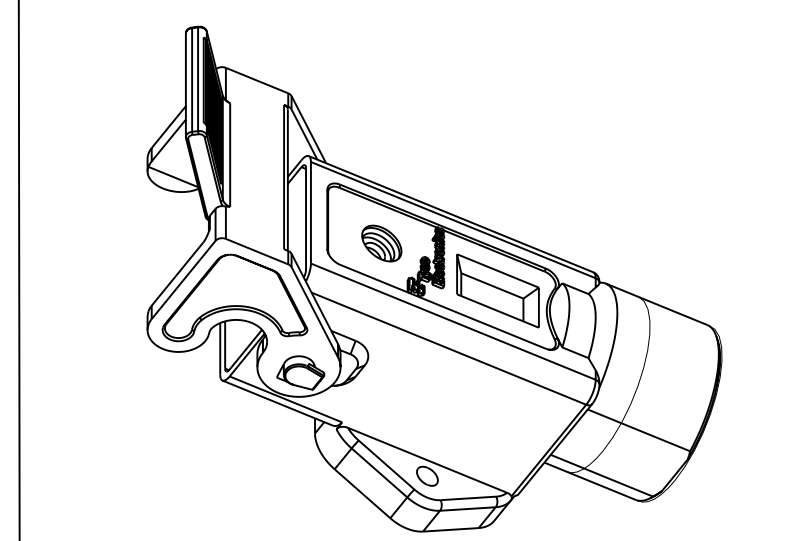
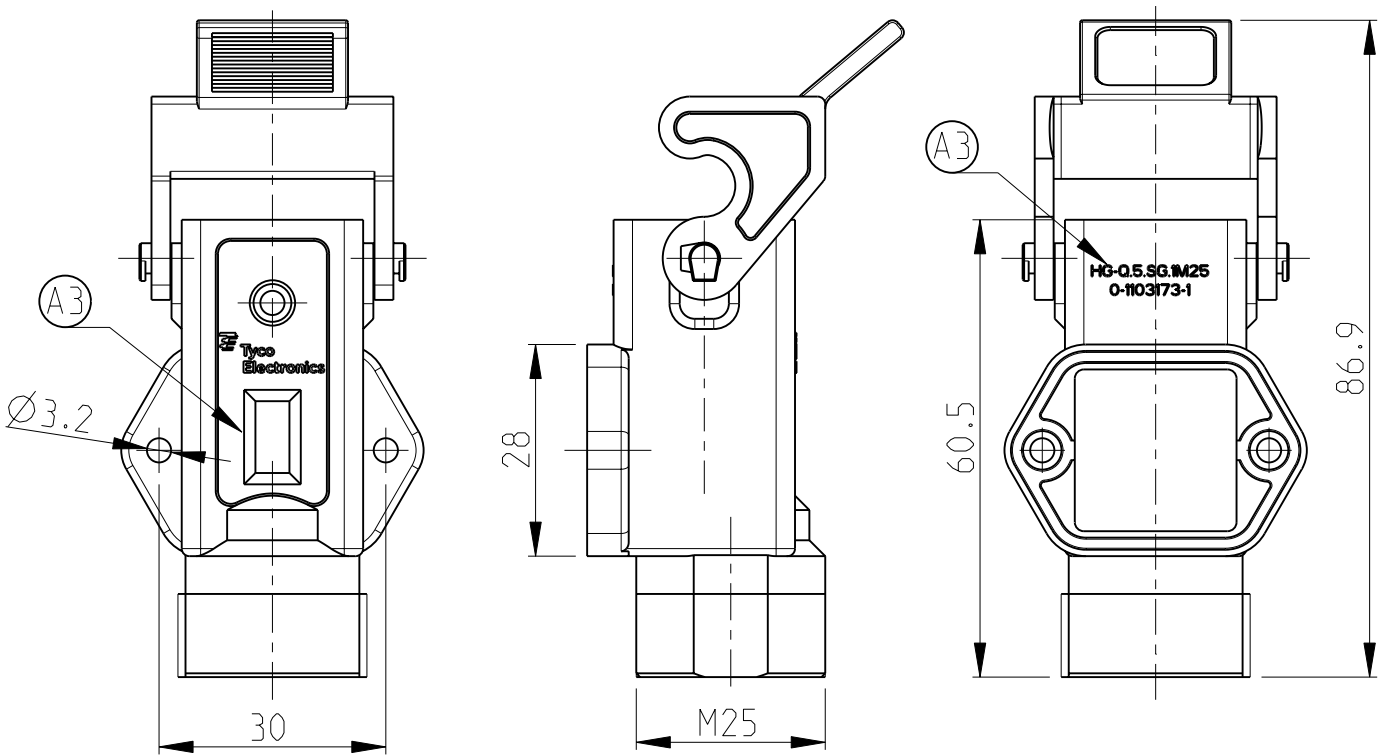
D



Notes

- 1 SUITABLE INSERT: SERIES HA.3/4; HD.7/8; HN.D.7/8; HE-Q.5
- 2 CABLE FITTINGS: CABLE: MIN Ø4.0mm AND MAX IS Ø15.5mm
CUSTOMER DRAWING: 1103074
- 3 STANDARDS:
DIN EN 61984, DIN EN 60664-1
- 4 PACKAGING:
10 SETS IN A CARTON, PRE-MOUNTED

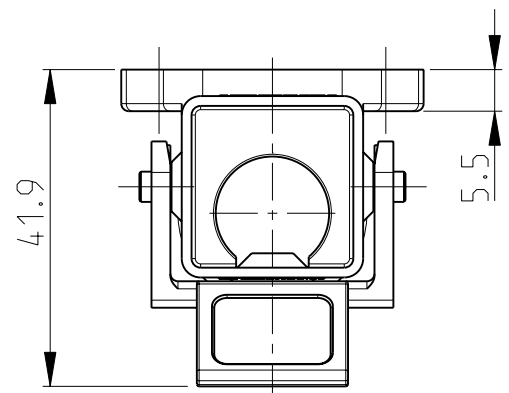
C



B

QTY	DESCRIPTION	MATERIAL	COLOR	ITEM NO. POS.
1	SIDE CLIP	PBT-GF25	BLACK	4
1	SIDE CLIP	PBT-GF30	LIGHT-GREY	3
1	SURFACE MOUNTED HOUSING SIDE ENTRY	PBT-GF25	BLACK	2
1	SURFACE MOUNTED HOUSING SIDE ENTRY	PBT-GF30	LIGHT-GREY	1
0-2	0-1	DESCRIPTION		
		HG-Q.5.SG.1.M25.Z		
		HG-Q.5.SG.1.M25.Z.BL		

A



THIS DRAWING IS A CONTROLLED DOCUMENT FOR TYCO ELECTRONICS CORPORATION IT IS SUBJECT TO CHANGE AND THE CONTROLLING ENGINEERING ORGANIZATION SHOULD BE CONTACTED FOR THE LATEST REVISION.

DIMENSIONS: mm	TOLERANCES UNLESS OTHERWISE SPECIFIED:	DWN 23.06.2008 M. SCHWEITGER	Tyco Electronics AMP GmbH D-53757 Sankt Augustain, Germany
	0 PLC ± 1 PLC ± 2 PLC ± 3 PLC ± 4 PLC ± ANGLES ±	CHK 23.06.08 TH. SCHNURPFIL APVD - PRODUCT SPEC - APPLICATION SPEC - WEIGHT 15.1g	
MATERIAL 5	FINISH 6	NAME SURFACE MOUNTED HOUSING SIDE ENTRY HG-Q.5.	
		SIZE A3	CAGE CODE 00779 DRAWING NO C-1103173 RESTRICTED TO -
		CUSTOMER DRAWING	SCALE 1:1 SHEET 1 OF 1 REV A3