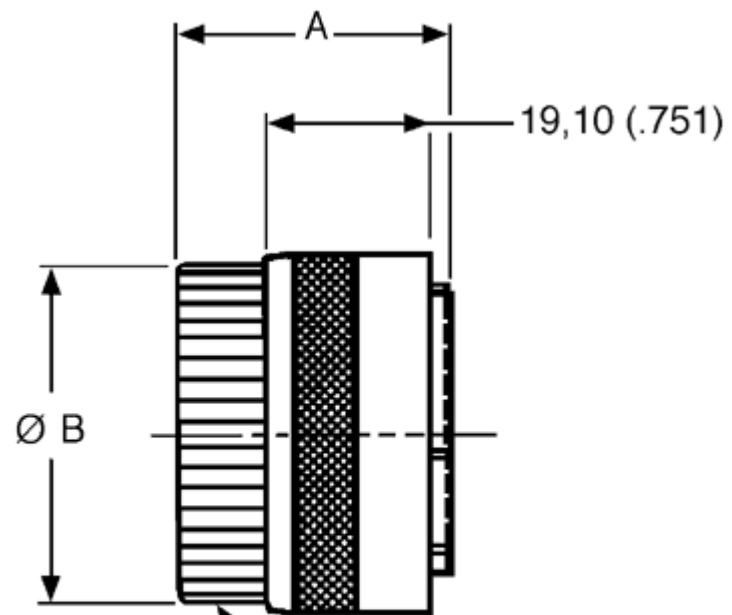




PartNumber	192900-0425
Wire Sealing Range, Signal Contact, Overall Diameter	Ø1,70-2,70 (.066-.106)
Product Family	Trident
Product Group	Neptune
Shape	Circular
Environmental Sealing	Up to IP65
Flammability	UL 94V-0
Component	Connector
Insulation Resistance	5000 M ohms at 500 V dc
Footnote	Dimensions are in mm (inch). Dimensions are subject to change.
For more information	Contact Cannon Sales Department
Sealed	Yes
Contacts to be Fitted	Socket
Packaging	Single
Test Voltage	2000 V rms
Note 3	Contact Cavity Arrangement - Mating Face View
Connector Material	Plastic
Connector Format	Reversed
Dimension A	32,40 (1.275)
Dimension B	Ø40,50 (1.594)
Dimension C	Ø44,00 (1.732)

Nomenclature	TN6S240048S1L
Coupling Ring Material	High Strength Copper Alloy
Contact Layout	0-48
Gender	Plug
Shell Size	24
Contact Current Rating	depends on contact used
Coupling Ring Finish	Nickel
Note 2	Operating Voltage can be higher than 25 V, if the equipment safety will allow.
Mounting Style	Cable Mount
Grommet, with or without Nut	Grommet & Nut
Note 1	Water sealed to IP67.
Operating Voltage	25 V
Operating Temperature	-55 °C to 105 °C



WIRE SEAL &
SECURING NUT

