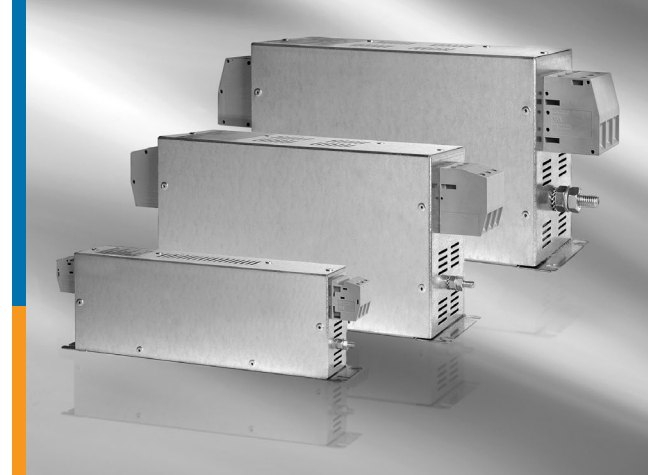


CORCOM FILTERS - BCFXR

TE Connectivity (TE) introduces a new addition to the BCF family. The BCFxR series addresses with the leakage current requirements of system level standards, such as IEC950 and IEC601. The reduced leakage current will eliminate nuisance tripping of Residual Current Breakers and Ground Fault Interrupt Circuit Breakers. In addition, these low leakage current, low-weight, 3-phase Delta EMI filters come with either screw terminals (BCF6R) or touch safe terminals (BCF10R). These filters are used to reduce noise emissions typically associated with variable speed motors used in process automation equipment, elevators and alternative energy applications.



Applications

- 3-phase inverters & converters
- Variable speed motor drives
- Process automation equipment
- Elevators & escalators
- Machine tools

Electrical

- **Current Rating:** 7 to 180A
- **Voltage Rating:** Phase to Phase: 480 VAC
Phase to Ground: 277 VAC
- **Operating Frequency:** 50/60 Hz
- **Operating Temperature:** -10°C to +50°C

Mechanical

- Screw mounting (flange)
- Touch safe terminals (BCF10R)
- Threaded bolts (BCF6R)

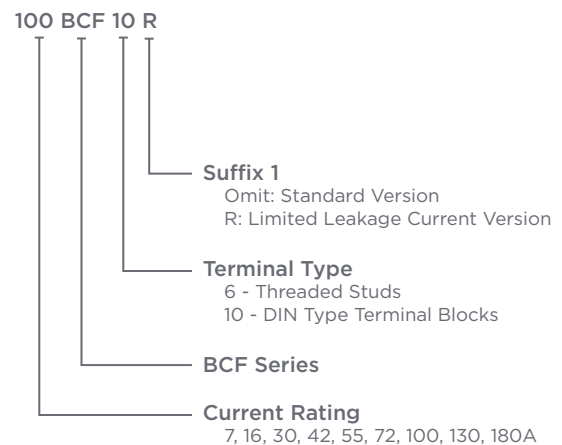
Product Specifications

- UL, CSA & VDE

Key Benefits

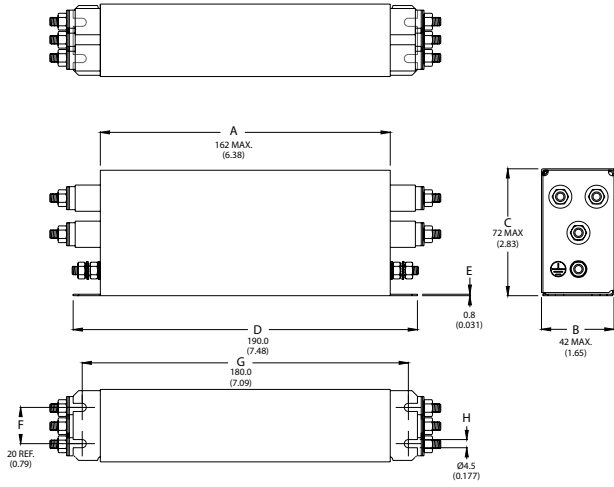
- Help save space with a compact, light-weight book-form design
- Provide an easy connection and prevent inadvertent contact with touch safe terminals (BCF10R)
- Provide an easy connection to ring terminals with threaded bolts (BCF6R)
- Prevent nuisance tripping of Residual current- and Ground Fault Interrupt Circuit Breakers by significantly reduced leakage current

Ordering Information

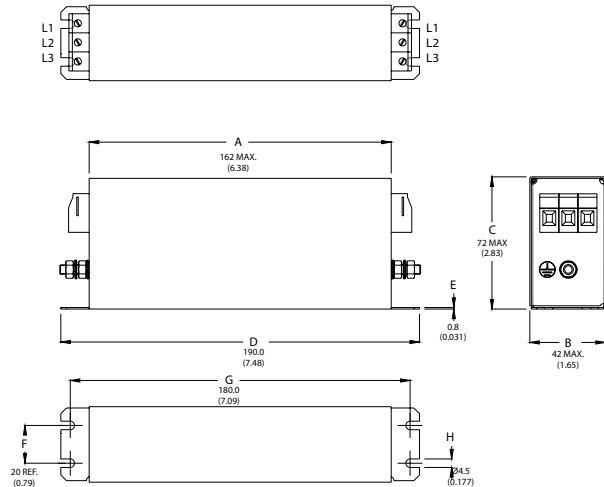


Dimensions

7BCF6R



7BCF10R



Part Number	Description	A	B	C	D	E	F	G	H
2-1609989-0	7BCF10R=F8232E	162 MAX (6.38)	42 MAX (1.65)	72 MAX (2.83)	190.0 (7.48)	0.8 (0.031)	20 REF. (0.79)	180.0 (7.09)	Ø4.5 (0.177)
2-1609989-1	16BCF10R=F8233E	222 MAX (8.74)	47 MAX (1.85)	72 MAX (2.83)	250 (9.84)	0.8 (0.031)	25 (0.98)	235 (9.25)	Ø5.4 (0.213)
2-1609989-2	30BCF10R=F8234E	242 MAX (9.53)	52 MAX (2.05)	87 MAX (3.43)	270 (10.630)	0.8 (0.031)	30 (1.18)	255 (10.04)	Ø5.4 (0.213)
2-1609989-3	42BCF10R=F8235E	282 MAX (11.10)	52 MAX (2.05)	87 MAX (3.43)	310 (12.205)	0.8 (0.031)	30 (1.18)	295 (11.61)	Ø5.4 (0.213)
2-1609989-4	55BCF10R=F8236E	222 MAX (8.74)	87 MAX (3.43)	92 MAX (3.62)	250 (9.84)	1 (0.039)	60 (2.362)	235 (9.252)	Ø5.4 (0.213)
2-1609989-5	75BCF10R=F8237E	242 MAX (9.53)	82 MAX (3.22)	137 MAX (5.39)	270 (10.63)	1 (0.039)	60 (2.36)	255 (10.04)	Ø6.5 (0.26)
2-1609989-6	100BCF10R=F8238E	242 MAX (9.53)	92 MAX (3.62)	152 MAX (5.98)	270 (10.63)	1 (0.039)	65 (2.56)	255 (10.04)	Ø6.50 (0.256)
2-1609989-7	130BCF10R=F8239E	242 MAX (9.53)	92 MAX (3.62)	152 MAX (5.98)	270 (10.63)	1 (0.039)	65 (2.56)	255 (10.04)	Ø6.5 (0.26)
2-1609989-8	180BCF10R=F8240E	352 MAX (13.86)	122 MAX (4.80)	172 MAX (6.77)	380 (14.96)	1 (0.039)	102 (4.02)	365 (14.37)	Ø6.5 (0.256)
3-1609989-0	7BCF6R=F8232F	162 MAX (6.38)	42 MAX (1.65)	72 MAX (2.83)	190.0 (7.48)	0.8 (0.031)	20 (0.79)	180.0 (7.09)	Ø4.5 (0.177)
3-1609989-1	16BCF6R=F8233F	222 MAX (8.74)	47 MAX (1.85)	72 MAX (2.83)	250 (9.84)	0.8 (0.031)	25 (0.98)	235 (9.25)	Ø5.4 (0.21)
3-1609989-2	30BCF6R=F8234F	241 MAX (9.488)	52 MAX (2.05)	87 MAX (3.43)	271 (10.67)	0.8 (0.031)	30 (1.18)	255 (10.04)	Ø5.4 (0.213)
3-1609989-3	42BCF6R=F8235F	282 MAX (11.10)	52 MAX (2.05)	87 MAX (3.43)	310 (12.205)	0.8 (0.031)	30 (1.18)	295 (11.61)	Ø5.4 (0.213)
3-1609989-4	55BCF6R=F8236F	222 MAX (8.74)	87 MAX (3.43)	92 MAX (3.62)	250 (9.84)	1 (0.039)	60 (2.362)	235 (9.252)	Ø5.4 (0.213)
3-1609989-5	75BCF6R=F8237F	242 MAX (9.53)	82 MAX (3.22)	137 MAX (5.39)	270 (10.63)	1 (0.039)	60 (2.35)	255 (10.04)	Ø6.5 (0.26)
3-1609989-6	100BCF6R=F8238F	241 MAX (9.48)	92 MAX (3.62)	152 MAX (5.98)	270 (10.63)	1 (0.039)	65 (2.56)	255 (10.04)	Ø6.50 (0.256)
3-1609989-7	130BCF6R=F8239F	241 MAX (9.48)	92 MAX (3.62)	152 MAX (5.98)	270 (10.63)	1 (0.039)	65 (2.56)	255 (10.04)	Ø6.5 (0.26)
3-1609989-8	180BCF6R=F8240F	352 MAX (13.86)	122 MAX (4.80)	172 MAX (6.77)	380 (14.96)	1 (0.039)	102 (4.02)	365 (14.37)	Ø6.5 (0.26)

Note: Dimensions in mm (inches)

© 2016 TE Connectivity Ltd. Family of Companies. All Rights Reserved. Corcom, TE, TE Connectivity, and the TE connectivity (logo) are trademarks of the TE Connectivity Ltd. family of companies. Other logos, product and Company names mentioned herein may be trademarks of their respective owners. 1-1773875-8 JN 2/2016

USA: +1 (800) 522-6752
 Canada: +1 (905) 475-6222
 Mexico: +52 (0) 55-1106-0800
 Latin/S. America: +54 (0) 11-4733-2200
 Germany: +49 (0) 6251-133-1999

UK: +44 (0) 800-267666
 France: +33 (0) 1-3420-8686
 The Netherlands: +31 (0) 73-6246-999
 China: +86 (0) 400-820-6015