

## 1609112-3 Product Details



**1609112-3**  
(10CE1)

TE Internal Number: 1609112-3

 Active

### EMI/RFI Filters and Accessories

 Always EU RoHS/ELV Compliant (Statement of Compliance)

#### Product Highlights:

- Filter - EMI/RFI
- Filter Type = Power Entry (Filtered/Unfiltered)
- C (1-10 Amp) Series
- General Purpose Application
- Mount Style = Flanged

### Documentation & Additional Information

#### Product Drawings:

- [CUSTOMER DRAWING 10CE1](#) (PDF, English)

#### Catalog Pages/Data Sheets:

- [1-1654250-1\\_CORCOM\\_EMI\\_RFI\\_QRG](#) (PDF, English)
- [1654001\\_Corcom\\_Product\\_Guide\\_C\\_Series](#) (PDF, English)

#### Product Specifications:

- None Available

#### Application Specifications:

- None Available

#### Instruction Sheets:

- None Available

#### CAD Files:

- None Available

#### Additional Information:

- [Product Line Information](#)

#### Additional Product Images:

- [Insertion Loss/Specifications](#)

#### Related Products:

- [Tooling](#)

### Product Features (Please use the Product Drawing for all design activity)

#### Product Type Features:

- [Product Type](#) = Filter - EMI/RFI
- [Filter Type](#) = Power Entry (Filtered/Unfiltered)
- [Series](#) = C (1-10 Amp)
- [Filtered](#) = No
- [Type of Connector](#) = IEC 320/C-14

#### Electrical Characteristics:

- [Current Rating \(A\)](#) = 10
- [Voltage ≤ \(VAC\)](#) = 250

#### Termination Features:

- [Terminal Input - Output Combination](#) = IEC - 1/4" Faston

#### Body Features:

- [Mount Style](#) = Flanged
- [Switch Type](#) = DPST

#### Configuration Features:

- [Extender Options](#) = None

#### Industry Standards:

- [RoHS/ELV Compliance](#) = RoHS compliant, ELV compliant
- [Lead Free Solder Processes](#) = Not relevant for lead free process
- [RoHS/ELV Compliance History](#) = Always was RoHS compliant
- [Approved Standards](#) = CSA Certified, VDE Approved, UL Recognized

#### Conditions for Usage:

- [Facility Installation](#) = No
- [Need Min Size With IEC Connector](#) = Yes
- [Need Optional Switch, Fusing, Or Voltage Selector](#) = Yes

#### Operation/Application:

- [Application](#) = General Purpose

#### Other:

- [Brand](#) = Corcom

**CUSTOMER DRAWING**

**CATALOG # 10CFE1**

ECN #	APPRVD.	DATE
07-028462	TAM	30NDV07

**SAFETY ORGANIZATIONS**

THIS FILTER HAS BEEN FORMALLY RECOGNIZED, CERTIFIED OR APPROVED BY THE LISTED AGENCY. THEREFORE, ALL TEST/REQUIREMENTS SPECIFIED IN THE LATEST REVISION OF THE FOLLOWING AGENCY STANDARDS HAVE BEEN MET:

UL RECOGNIZED: UL 1283  
 CSA CERTIFIED: CSA 22.2, # 8  
 VDE APPROVED: EN133200

**OPERATING SPECIFICATIONS**

LINE CURRENT/VOLTAGE: 10 AMP, 120/250 VAC,  
 10 AMP/40°C, 250 VAC

LINE FREQUENCY: 50-60Hz

MAXIMUM LEAKAGE CURRENT,  
 EACH LINE TO GROUND: 0.25 mA @ 120V 60Hz  
 0.40 mA @ 250V 50Hz

OPERATING AMBIENT TEMP. RANGE: -10°C TO +40°C @ RATED CURRENT, I<sub>r</sub>.

IN AN AMBIENT, T<sub>0</sub>, HIGHER THAN 40°C, THE MAXIMUM OPERATING CURRENT, I<sub>0</sub>, IS AS FOLLOWS:

$$I_0 = I_r \sqrt{\frac{100 - T_0}{60}}$$

**RELIABILITY SPECIFICATIONS:**

STORAGE TEMPERATURE: -40°C TO +85°C  
 HUMIDITY: 21 DAYS @ 40°C 95% RH.  
 CURRENT OVERLOAD TEST: 6 TIMES I<sub>r</sub> FOR  
 8 SECONDS

**TEST SPECIFICATIONS:**

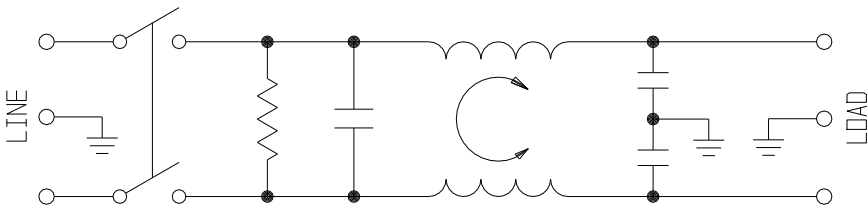
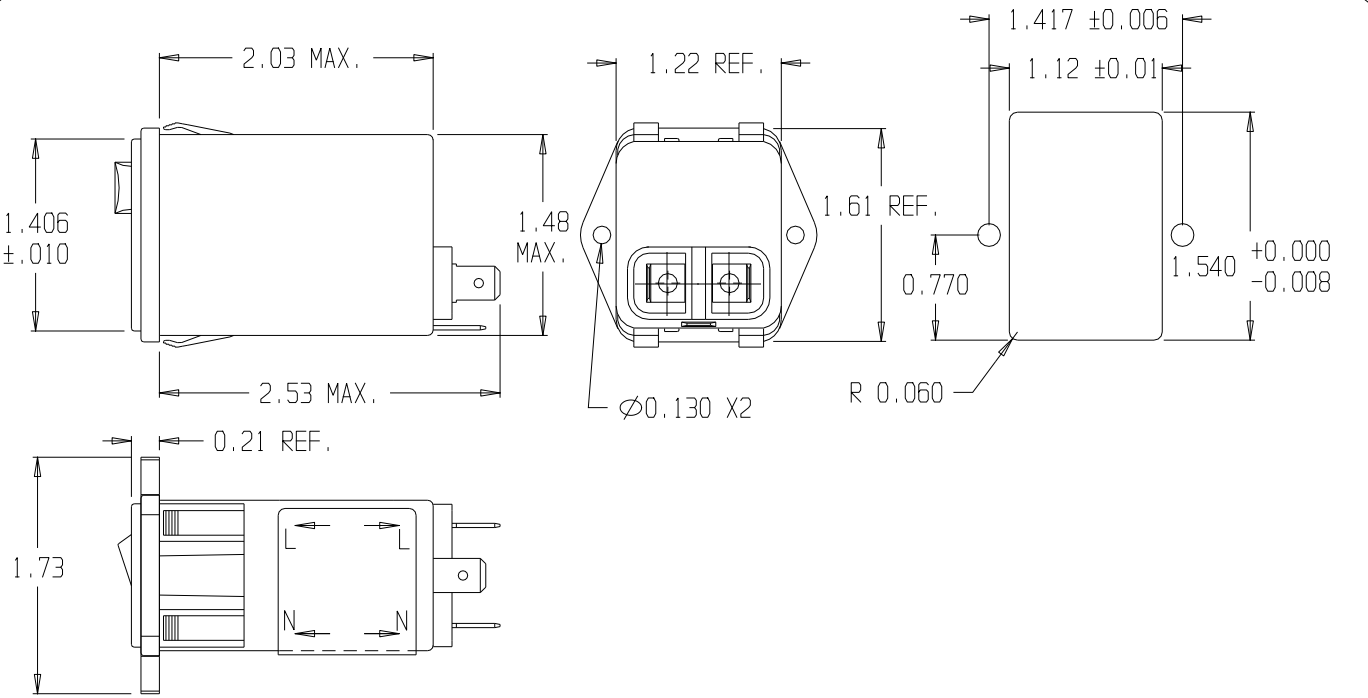
INDUCTANCE: 0.31 mH NOMINAL  
 CAPACITANCE: (MEASURED @ 1KHz, 0.250VAC MAX., 25°C±1°C)  
 LINE TO GROUND: 0.0028 μF ±20%  
 LINE TO LINE: 0.1000 μF ±20%  
 DISCHARGE RESISTOR: 1.5M Ω  
 L/G AND L/L I.R.  
 NO DISCHARGE RESISTOR: 6000M Ω (MIN.) @ 100VDC,  
 20°C AND 50% RH

**RECOMMENDED RECEIVING INSPECTION HIPOT:**

LINE TO GROUND: 1500 VAC OR 2250 VDC FOR 1 MINUTE  
 LINE TO LINE: 1450 VDC FOR 1 MINUTE

**FILTER APPROVAL:**

THE BEST WAY TO SELECT AND QUALIFY A FILTER IS FOR YOUR ENGINEERING TO TEST THE UNIT IN YOUR EQUIPMENT.



50 Ω - 50 Ω (MINIMUM) INSERTION LOSS											
FREQUENCY MHz	.01	.05	0.1	.15	0.5	1	1.5	5	10	30	/
COMMON dB	-	1	-	4	14	18	-	27	33	42	/
DIFF. dB	-	1	-	7	14	23	-	42	44	62	/
SHEET SIZE	THIRD ANGLE PROJECTION	THIS INFORMATION IS CONFIDENTIAL AND PROPRIETARY TO TYCO ELECTRONICS CORPORATION AND ITS WORLDWIDE SUBSIDIARIES AND AFFILIATES. IT MAY NOT BE DISCLOSED TO ANYONE OTHER THAN TYCO ELECTRONICS PERSONNEL, WITHOUT WRITTEN AUTHORIZATION FROM TYCO ELECTRONICS CORPORATION, HARRISBURG, PENNSYLVANIA USA.									

PARTS SHALL COMPLY WITH TYCO ELECTRONICS 230-702 SPECIFICATION FOR HAZARDOUS SUBSTANCES UNLESS OTHERWISE SPECIFIED TOLERANCE TO BE ±0.025 MATERIAL & FINISH: AS SUPPLIED

NOTES:

CVM AVAILABLE  YES  NO

SCALE: NTS DATE: 05SEP00 DRAWING NUMBER: 10CFE1 REV. 1

DRW. BY: ELC ORTG: ELC

G:\KeyCreator Directories\CD 10CFE101.cxd

**Tyco Electronics**  
 CORCOM PRODUCTS, 620 S. BUTTERFIELD RD. MUNDELEIN IL 60060

**POWER LINE FILTER**

TYCO ELECTRONICS PART NO. 1-6609113-3