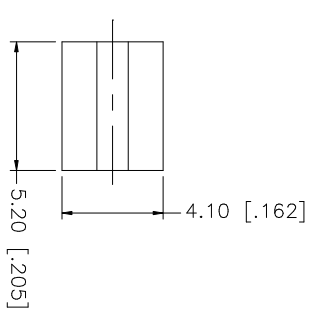
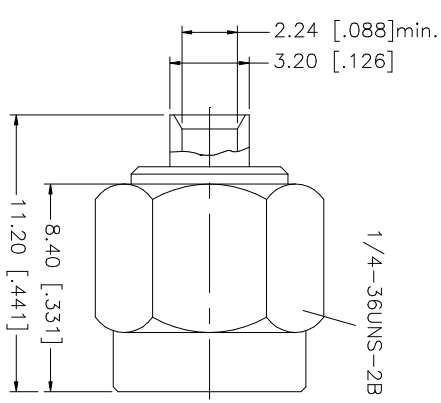
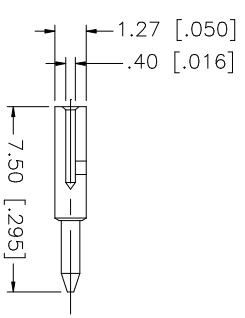
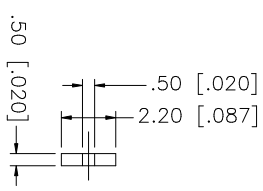
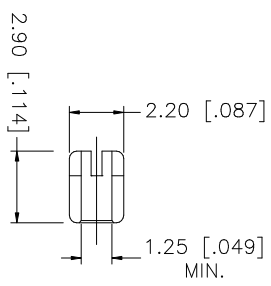
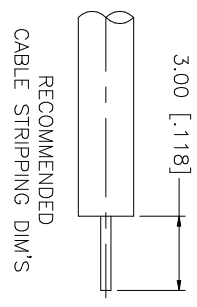


REV.	DATE	DESCRIPTION
A	04/31/03	UPDATE DRAWING FORMAT



DESCRIPTION	MATERIAL	FINISH	QTY	DO NOT SCALE DRAWING	APPROVALS	DATE	PART DESCRIPTION	DWG. NO.	REV.	SIZE	SCALE
8					UNLESS OTHERWISE SPECIFIED DIMENSIONS ARE IN MILLIMETERS; DIMENSIONS IN [] ARE IN INCHES AND FOR CUSTOMER REFERENCE ONLY.		Amphenol Connex SMA DIRECT SOLDER PLUG (FOR .047" SEMI-RIGID CABLE)	132249	A	A	NA
7				UNLESS OTHERWISE SPECIFIED TOLERANCES FOR MILLIMETERS ARE:	DRAWN G.R.S.	04/31/03					
6				0.5 - 8mm ± 0.20mm	CHECKED						
5	SOLDER BARREL	BRASS	1	8 - 30mm ± 0.40mm	ISSUED						
4	CONTACT PIN	BRASS	1	30 - 120mm ± 0.30mm	SHEET 1 OF 1						
3	INSULATOR	TEFLON	1	UNLESS OTHERWISE SPECIFIED TOLERANCES FOR INCHES ARE:							
2	BODY	BRASS	1	.020 - .315 = ± 0.007"							
1	DESCRIPTION			.315 - 1.180 = ± 0.015" 1.180 - 4.724 = ± 0.020"							