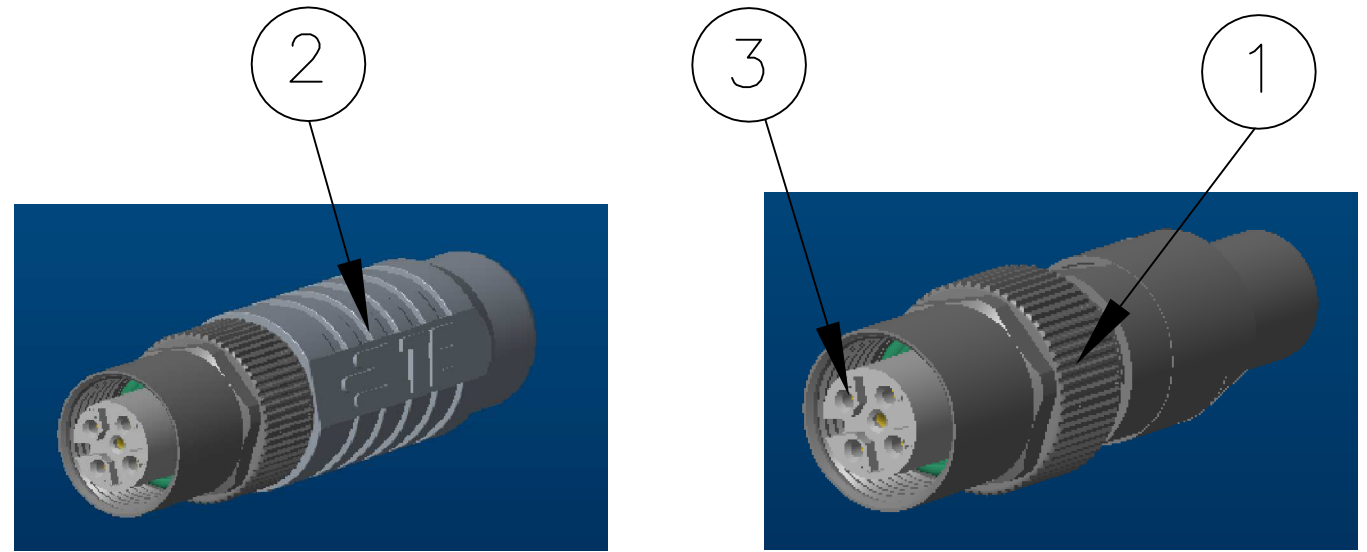
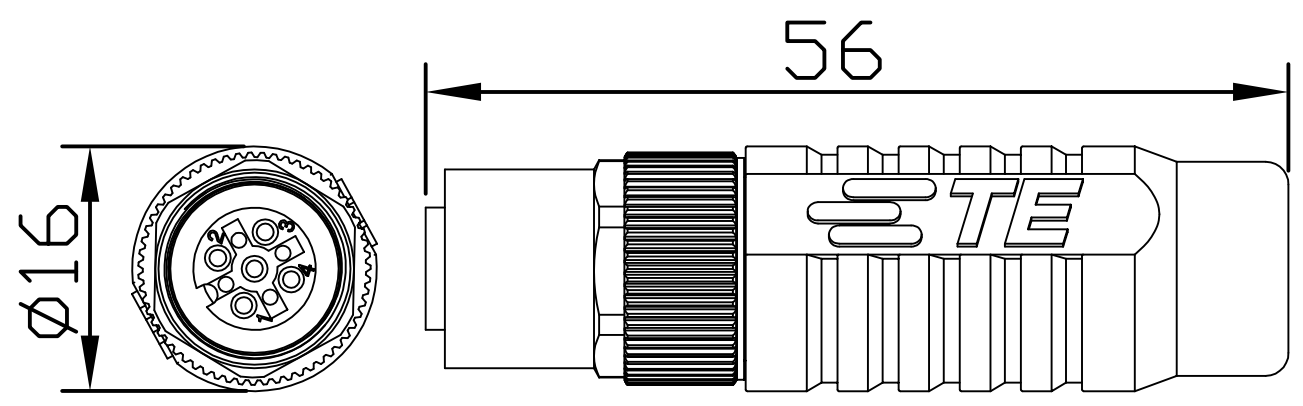


THIS DRAWING IS UNPUBLISHED.		RELEASED FOR PUBLICATION NOV ,2007.	
© COPYRIGHT 2007 By -		ALL RIGHTS RESERVED.	
PROJECT	PRJ-14-000004825		
PART NO	X-2823450-X		
HV DESC	M12, A-CODED,RAIL FEMALE CRIMP		
CUSTOMER	GENERAL MARKET		

CABLE SOCKET AS SHOWN (5 POSITION)  
(SEE SHEET 2 FOR CHILD PART DETAILS)

REVISIONS				
P	LTR	DESCRIPTION	DATE	APVD
	A2	ECR-16-009131	23JUN2016	GG GG

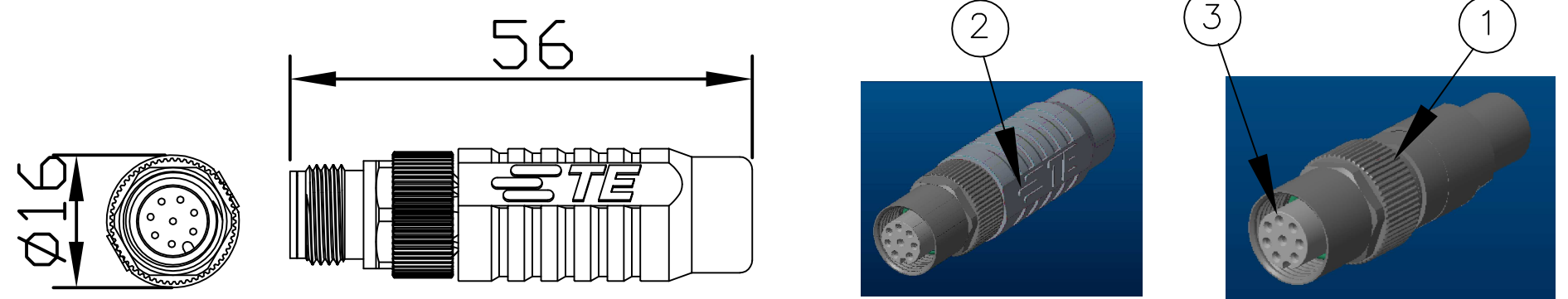


CODE	TE FG PN'S	NUMBER OF POLES IN CONNECTOR	NUMBER OF CONTACTS REQUIRED	CABLE SOCKET	CABLE REFERENCE	AWG	HAND TOOL (TE PN) (COMPACT)	HAND TOOL (TE PN) (STANDARD)	RECOMMENDED POSITIONER (TE PN) (COMPACT)	RECOMMENDED POSITIONER (TE PN) (STANDARD)	CRIMP TOOL TE PN FOR CRIMP FLANGE/SLEEVE	CRIMP INSERT TE PN'S	CABLE JACKET STRIPPING TOOL TE PN	ASSEMBLY TOOL HANDLE FOR CRIMP FLANGE TE PN	UNIVERSAL INSERT TE PN (ALL M12 CODES)	ASSEMBLY TOOL FRONT HOUSING AND BACK NUT TE PN	CABLE COLOUR	NUMBER OF WIRES PER CABLE	CABLE MANUFACTURER	CABLE PN
A code	1-2823450-1	5	4	x	Cat 5 Radox 6.6mm	AWG22			22	SEL No.7		1-2823558-3					BLACK	4	H & S	12584038
A code	1-2823450-2	5	4	x	Cat 5 Radox 7.3mm	AWG22			22	SEL No.7		1-2823558-4					BLACK	4	H & S	12568935
A code	1-2823450-3	5	4	x	Cat 5 Radox 8.3mm	AWG20	TE PN : 601966-1	TE PN : 601967-1	20	SEL No.7	1-2823557-1	1-2823558-6	1-2823559-1	1-2823560-1	1-2823561-1	1-2823564-1	BLACK	4	H & S	12585489
A code	1-2823450-4	8	4	x	Cat 5 Radox 7.3mm	AWG22			NA	NA		1-2823558-4					BLACK	4	H & S	12568935
A code	1-2823450-5	8	4	x	Cat 5 Radox 6.6mm	AWG22			NA	NA		1-2823558-3					BLACK	4	H & S	12584038

NOTES:

MATERIAL:  
 ITEM NO. 1: HOUSING - BRASS, NICKEL PLATED.  
 ITEM NO. 2: PLASTIC BODY - PA (UL94 V-0).  
 ITEM NO. 3: CONTACT FINISH - Au (gold).  
 CONTACT - CuZn (Brass).

- ALL DIMENSIONS ARE FOR NOMINAL REFERENCE ONLY.  
 -PACKAGING: 1 PIECE IN A BAG.  
 -THE CONNECTOR IS AS PER IEC 61076-2-101.  
 -TEMPERATURE RANGE: -40°C TO 85°C (WITH CABLE BOOT),  
 -30°C TO 85°C (WITHOUT CABLE BOOT).  
 -VIBRATION & SHOCK TEST CONDUCTED AS PER IEC 61373:1999.  
 -FIRE PERFORMANCE CONDUCTED AS PER EN45545-2, NFF16-101 AND NFF16-102.  
 -THE THREAD OF THE MATING INTERLACE WITH THE COUNTERPART IS M12x1 ACCORDING TO IEC61076-2-101.  
 -REFER SPEC NO 408-156019 FOR INSTRUCTION SHEET (8 POSITION).  
 -REFER SPEC NO 408-156022 FOR INSTRUCTION SHEET (5 POSITION).  
 -CRIMP INSERT: SHOULD BE VALIDATED ON CABLE USED.  
 -CUSTOMER SHOULD SELECT THE CONTACTS POSITIONS,BASED ON HIS REQUIREMENT.  
 -WEIGHT 24 grams



CABLE SOCKET AS SHOWN (8 POSITION) (SEE SHEET 2 FOR CHILD PART DETAILS)

THIS DRAWING IS A CONTROLLED DOCUMENT.		DWN	GUNA	09DEC2015	 TE Connectivity	NAME M12, A-CODED RAIL FEMALE, CRIMP CONNECTORS
DIMENSIONS: MM		CHK	GANI	09DEC2015		
		APVD	JAYANTH	09DEC2015		
TOLERANCES UNLESS OTHERWISE SPECIFIED: 0 PLC ± - 1 PLC ± - 2 PLC ± - 3 PLC ± - 4 PLC ± - ANGLES ± -		PRODUCT SPEC	108-156001			
MATERIAL		APPLICATION SPEC		114-156002		RESTRICTED TO
		WEIGHT		A3 00779		SIZE
		CUSTOMER DRAWING		C=2823450		CAGE CODE
				SCALE		DRAWING NO
				NTS		114-156002
				SHEET		1 of 2
				REV		A2

4

3

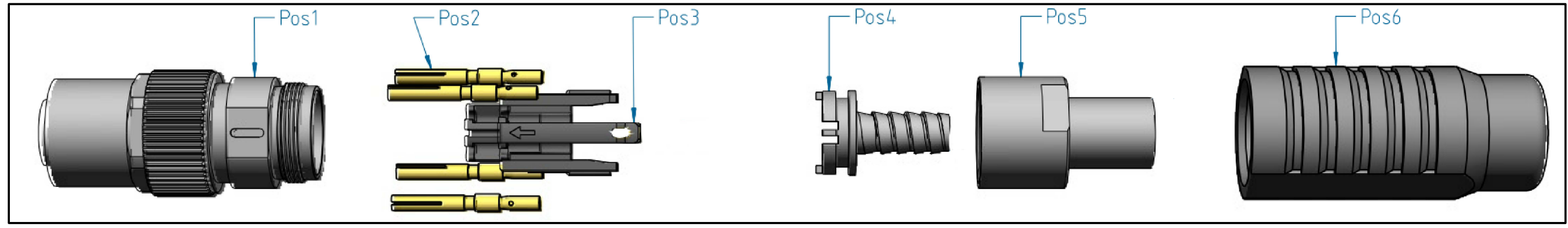
2

1

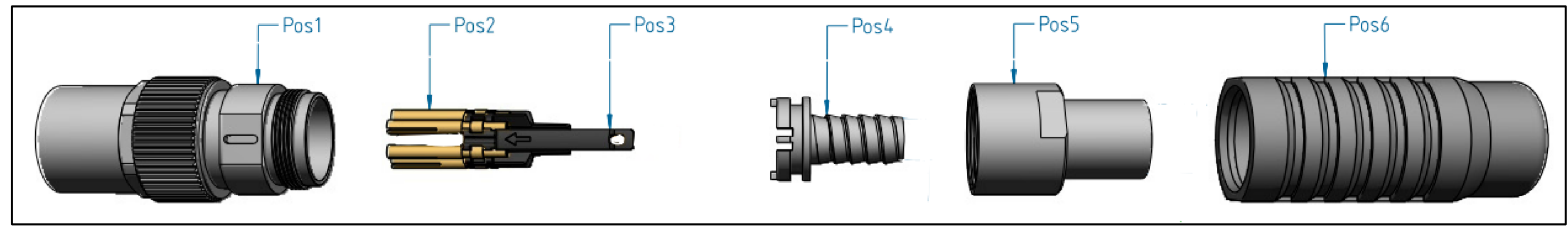
THIS DRAWING IS UNPUBLISHED.		RELEASED FOR PUBLICATION NOV ,2007.	
© COPYRIGHT 2007 By -		ALL RIGHTS RESERVED.	
PROJECT	PRJ-14-000004825		
PART NO	X-2823450-X		
HV DESC	M12, A-CODED,RAIL FEMALE,CRIMP		
CUSTOMER	GENERAL MARKET		

REVISIONS				
P	LTR	DESCRIPTION	DATE	APVD
-	-	SEE SHEET 1	-	-


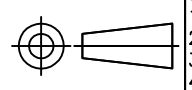
CABLE SOCKET AS SHOWN (5 POSITION)



CABLE SOCKET AS SHOWN (8 POSITION)



6	GRIP BOOT	1	PC
5	BACK NUT & CRIMP SLEEVE	1	PC
4	CRIMP INSERT	1	PC
3	CONTACT HOLDER	1	PC
2	CRIMP CONTACTS MACHINED	4	PC
1	FRONT HOUSING	1	PC
Position	DESCRIPTION	QTY	UNIT

THIS DRAWING IS A CONTROLLED DOCUMENT.		DWN	GUNA	09DEC2015	 <b>TE Connectivity</b>	
		CHK	GANI	09DEC2015		
		APVD	JAYANTH	09DEC2015		
		PRODUCT SPEC				
		APPLICATION SPEC			NAME	M12, A-CODED RAIL FEMALE, CRIMP CONNECTORS
DIMENSIONS: MM		TOLERANCES UNLESS OTHERWISE SPECIFIED:		SIZE		A3
		0 PLC ± - 1 PLC ± - 2 PLC ± - 3 PLC ± - 4 PLC ± - ANGLES ± -		CAGE CODE		00779
MATERIAL		FINISH		DRAWING NO		C-2823450
-		-		RESTRICTED TO		-
				CUSTOMER DRAWING		SCALE NTS
				SHEET		2 of 2
				REV		A2

# Mouser Electronics

Authorized Distributor

Click to View Pricing, Inventory, Delivery & Lifecycle Information:

[TE Connectivity:](#)

[1-2823450-4](#) [1-2823450-5](#) [1-2823450-1](#) [1-2823450-3](#) [1-2823450-2](#)