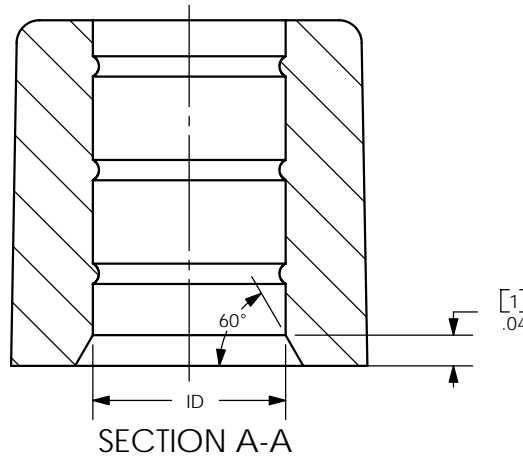
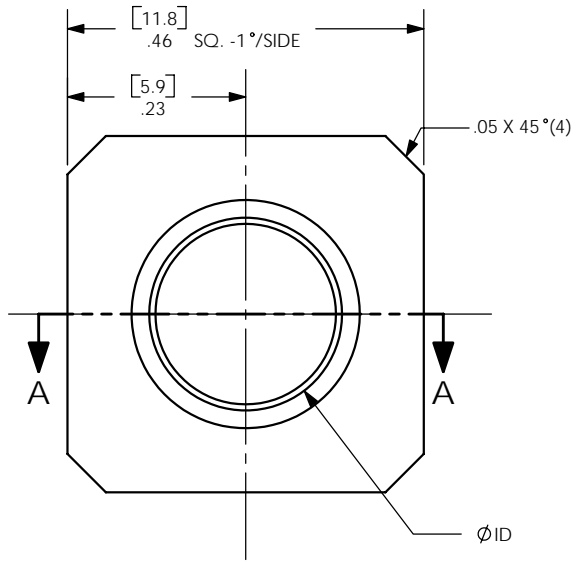
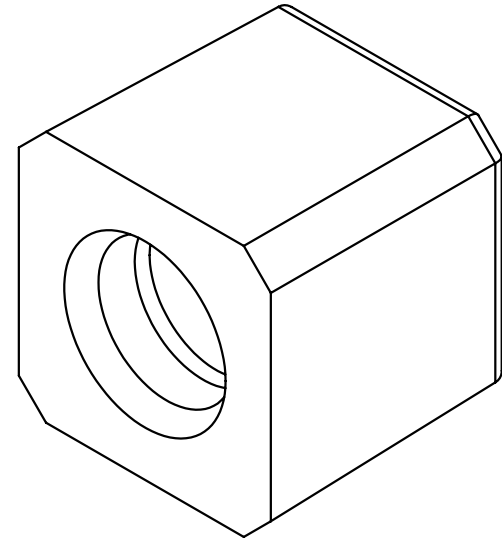
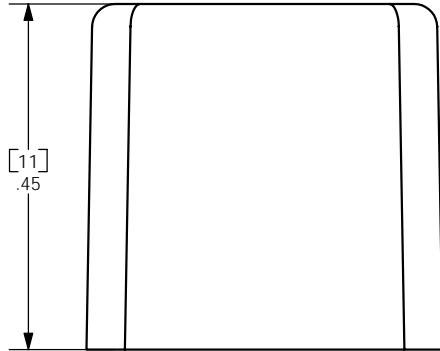


THE INFORMATION CONTAINED IN THIS DRAWING IS THE SOLE PROPERTY OF ANDERSON POWER PRODUCTS. ANY REPRODUCTION IN PART OR WHOLE WITHOUT THE WRITTEN PERMISSION OF ANDERSON POWER PRODUCTS IS PROHIBITED.

ANDERSON POWER PRODUCTS RESERVES THE RIGHT TO ALTER PRODUCT TYPES, THEIR TECHNICAL DATA, DIMENSION, STYLE AND ACCESSORIES WITHOUT PRIOR NOTIFICATION.

DATE	CMS	12/1/06
BY:	CMS	
DESCRIPTION OF CHANGES	ECRM 14088: ADD NOTES	
REV.	1	



PART #	WIRE SIZE	ID
114411P2	6 AWG	.35
114411P1	8 AWG	.25
114411P3	10/12 AWG	.17

SEE NOTE 1

- ① NOTES:
- WIRE SIZES ARE PROVIDED FOR REFERENCE. DUE TO SIGNIFICANT VARIATION IN CABLE INSULATION THICKNESSES, IT IS RECOMMENDED THAT GROMMET SELECTION BE BASED ON OD OF CABLE TO BE USED.
  - GROMMETS ARE DESIGNED TO BE SNUG ON THE WIRE AND IN THE PP75 HOUSING. FOR EASE OF ASSEMBLY, LUBRICATION THAT IS COMPATIBLE WITH POLYCARBONATE, SUCH AS *TRUCK-LITE NYK-77* & *NOVAGARD G661*, CAN BE USED.

COPYRIGHT 2004 ANDERSON POWER PRODUCTS. ALL RIGHTS RESERVED. UNAUTHORIZED REPRODUCTION HEREBY PROHIBITED.

DIMENSIONS ARE IN INCHES DIMENSIONS IN PARENTHESES [ ] ARE IN MILLIMETERS	CAD GENERATED DRAWING, DO NOT MANUALLY UPDATE		<b>ANDERSON POWER PRODUCTS</b>	
	APPROVALS	DATE		
TOLERANCES ARE: 2PL- ±.02 [±.5]	DRAWN CMS	3/16/04	<b>STRAIN RELIEF GROMMET FOR PP75</b>	
MATERIALS: TPE UL94V-0 BLACK	CHECKED DJD	3/17/04		
FINISH NONE	RESP ENG MAW	3/18/04	SIZE A	SPECIFICATION: 114411S1
DO NOT SCALE DRAWING	MFG ENG DAM	3/19/04	SCALE NONE	CADFILES/01981
	QUAL ENG RPO	3/18/04		SHEET 1 OF 1

# Mouser Electronics

Authorized Distributor

Click to View Pricing, Inventory, Delivery & Lifecycle Information:

[Anderson Power Products:](#)

[114411p3](#)