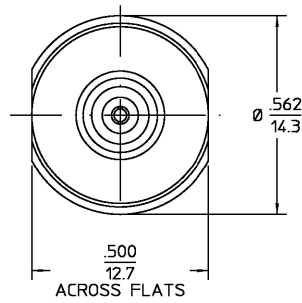
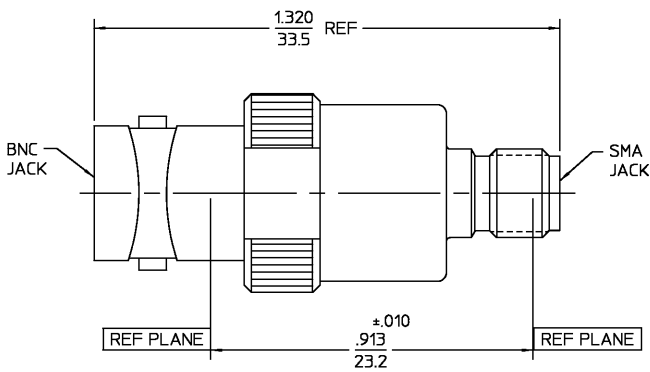


REVISIONS			
REV	DESCRIPTION	DATE	APPROVED
01 <sub>0</sub>	RELEASED	12/22/98	S. Moody



ELECTRICAL	MECHANICAL	ENVIRONMENTAL
Nominal Impedance (Ohms) 50	Interface Dimensions MIL-STD-348A	Temperature Rating -65°C to 165°C
Frequency Range (GHz) DC to 4.0	SMA - 310.2	Vibration MIL-STD-202, Method 204, Condition D
Volt Rating (VRMS MAX)	BNC - 301.2	Shock MIL-STD-202, Method 213, Condition I
Sea Level 335	Recommended Mating Torque	Thermal Shock MIL-STD-202, Method 107, Condition B.
VSWR 1.30 Max. 0.5 to 4.0 GHz	SMA - 7-10 in-Lbs	Moisture Resistance MIL-STD-202, Method 106 Shall Be Omitted
Insertion Loss (dB MAX) 0.2 √(GHz)	BNC - N/A	Corrosion - MIL-STD-202, Method 101, Condition B, 5% salt spray
RF Leakage (dB MIN) -55.2 to 3 GHz	Mating Characteristics:	
Corona, 70,000 Ft (VRMS MIN) 250	SMA BNC	
Dielectric Withstanding Voltage (VRMS MIN) Sea Level 1500	Insertion (Lbs) 3.0 2.0	
Contact Resistance (Milliohms MAX)	Withdrawal (Oz) 1.0 1.0	
Center Contact 4.1	Force to Engage/Disengage	
Outer Contact 2.2	Longitudinal (Lbs) N/A 3.0	
RF High Potential Sea Level (VRMS MIN) 5 MHz 670	Torque (in-Lbs) 2.0 2.5	
IR (Megohms MIN) 5,000	Contact Retention	
	Axial (Lbs) 6.0	
	Radial (In-Oz) N/A	
	Weight (Grams) TBD	

COMPONENT	MATERIAL	FINISH
HOUSING (BNC)	BRASS PER ASTM-B-16, HALF HARD	GOLD PLATE PER MIL-G-45204
HOUSING (SMA)	STAINLESS STEEL PER ASTM-A484 AND ASTM-A582, TYPE 303	PASSIVATE PER QQ-P-35
DIELECTRIC	PTFE FLUOROCARBON PER ASTM-D-1457	N/A
CENTER CONTACT	BERYLLIUM COPPER PER ASTM-B-196 OR ASTM-B-197, ALLOY C17300, CONDITION H	GOLD PLATE PER MIL-G-45204

UNLESS OTHERWISE SPECIFIED DIMENSIONS ARE IN INCHES	DRAWN BY S. Moody DATE 12/22/98	AMP Incorporated 140 Fourth Avenue Waltham, MA 02451-7599
FRAC. ± 1/64 DEC. ±.005 ANGLES ± °	CHECKED BY S. Moody DATE 12/22/98	
USE ASSY PROCEDURE	TITLE BNC JACK TO OSM JACK BETWEEN SERIESADAPTER	
NO. AP. N/A	SIZE B CODE IDENT NO. 26805	3280-2240-00
	SCALE 4:1	N/A
		SHEET 1 OF 1

CUSTOMER DRAWING AMP PART # 1058058-1  
SHEET 1 OF 1 REV A