

105XBRM Series

XTRA-BRITE™

LED Adverse Location Visual Signals



The 105XBRM Series LED visual signals are heavy duty, reliable, UL, cUL (General Utility) (misc. device/control unit accessory) beacons. The 105XBRM Series features a UL listed Type 4X enclosure and is UL Listed for Marine Use. These signals are designed for use in industrial applications or in applications where a Type 4X enclosure is required. The 105XBRM LED series come in a steady-on mode, and can easily be set to a 65 fpm flashing mode. The base is manufactured from glass-reinforced thermoplastic polyester resin and the double fresnel lens is made of shatter resistant polycarbonate.

The 105XBRM Series has three different configurations for mounting that include the 105BX junction box, the 105BM mounting bracket, and the 105PM pipe mount attachment. The unit can be mounted on ¾" NPT using the 105PM pipe attachment. It can also be surface mounted using the 105BX junction box, or wall mounted using the 105BX junction box with the 105BM mounting bracket.

All three mounting options are non-conductive plastic fixtures and do not provide earth-ground continuity when attached to metallic wiring systems. They are intended for use with the 105XBRM visual signals only when earth-grounding is not required. They can only be used with metallic wiring systems when installed at the end of the run.

105XBRM Series Features

- Available in 24V DC or 120V AC
- Three mounting bases: ¾" pipe mount attachment, outlet box attachment, or wall mounting bracket
- 65 fpm mode field-selectable via dipswitch
- Immune to shock and vibration
- -31°F to 212°F (-35° to 100°C) operating temperature

105XBRM Series

Description	Cat. No.	LED Colors	Projected LED Life (L70)**	Operating Voltage	Current	Replacement Lens
LED Adverse Location Signal in NEMA 4X Enclosure	105XBRM*24D	Amber, Blue, Green, Red, White	148,000 hours	24V DC	0.215 A	105-L*
	105XBRM*120A	Amber, Blue, Green, Red, White	148,000 hours	120V AC 50/60 Hz	0.108 A	105-L*

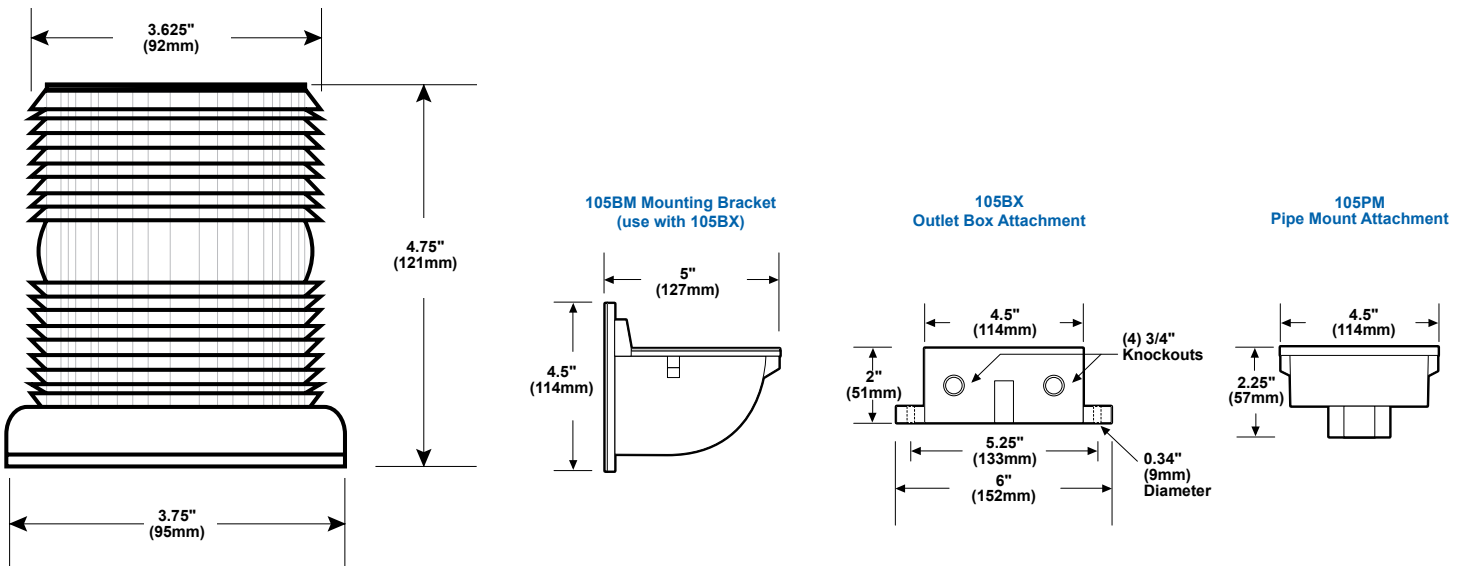
*Letter in this position designates lens color: A - amber, B - blue, G - green, R - red, or W - white

**LED Manufacturer's Median Projected LED Life for LUXEON Rebel LEDs (L70 at 85°C and T_{junction} 98°C). Actual LED life will vary inversely with ambient temperature, voltage, driver current, junction temperature and duty-cycle at which the signaling device is operated. Please refer to <http://www.philipslumileds.com/pdfs/WP15.pdf>.

Hazardous Location Ratings

Cat. No.	Class	Division	Group	Operating Temperature
105XBRM*24D 105XBRM*120A	I	2	A, B, C, D	T4A (120°C, 248°F)
	II	2	F, G	T4A (120°C, 248°F)
	III			T4A (120°C, 248°F)

Dimensional Drawing



Agency Approvals



Listed
NEMA
Type 4X
Enclosure



Listed for Class I,
Division 2,
Groups A, B, C & D
Class II, Division 2,
Groups F & G and
Class III locations



Marine UL
595 Listed,
Category UXUB



Marine UL 1598A
Listed