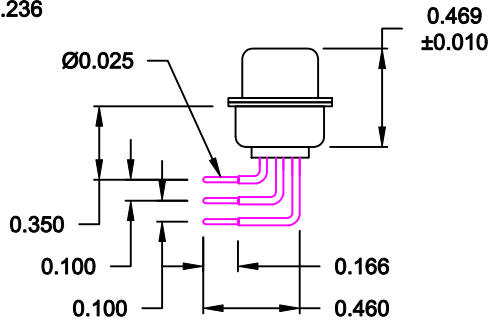
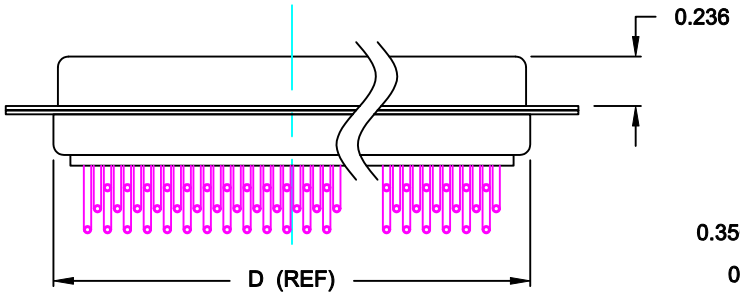
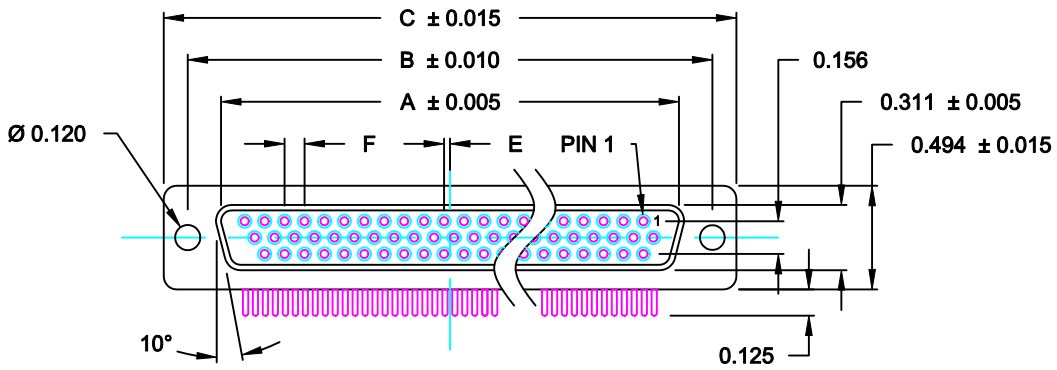


DESCRIPTION: HIGH DENSITY - MACHINED CONTACTS - RIGHT ANGLE

**MATERIALS AND FINISH:**

SHELL: STEEL MATERIAL, NICKEL FINISH  
 INSULATOR: (SEE CHART) =260°C, UL 94V-0 RATED, BLACK  
 CONTACT MATERIAL: BRASS  
 CONTACT FINISH: SELECTIVE GOLD FINISHED



**ELECTRICAL:**

CONTACT CURRENT RATING: 5 AMPS  
 CONTACT RESISTANCE: 30 Milliohms Max.  
 DIELECTRIC WITHSTANDING VOLTAGE: 1,000VAC Min.  
 INSULATION RESISTANCE: 5,000 Megohms Min.  
 TEMPERATURE RATING: -55° ~ +105° C

**181-MYY-2YYRYYY**

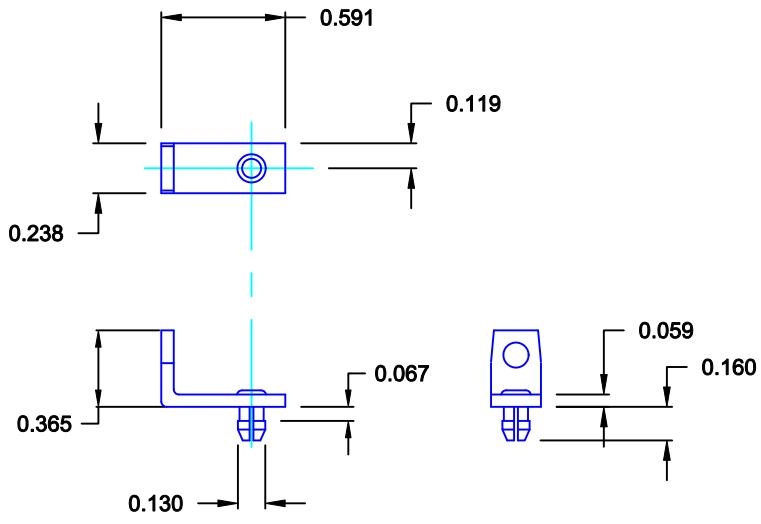
SERIES \_\_\_\_\_  
 MACHINED CONTACTS \_\_\_\_\_  
 POSITIONS \_\_\_\_\_  
 15 \_\_\_\_\_  
 26 \_\_\_\_\_  
 44 \_\_\_\_\_  
 62 \_\_\_\_\_  
 GENDER \_\_\_\_\_  
 2 = FEMALE  
 TERMINATION \_\_\_\_\_  
 1 = RIGHT ANGLE  
 SHELL PLATING \_\_\_\_\_  
 3 = NICKEL  
 2 = TIN  
 RoHS COMPLIANT \_\_\_\_\_  
 HARDWARE OPTIONS \_\_\_\_\_  
 14 = BRACKET WITH BOARD LOCK AND LOCATOR PLATE  
 PLATING OPTIONS \_\_\_\_\_  
 1 = GOLD FLASH, ENTIRE CONTACT  
 2 = 30u" GOLD, ENTIRE CONTACT  
 3 = 50u" GOLD, ENTIRE CONTACT

DIMENSIONS (IN.)							Insulator Material
No. OF PINS	A	B	C	D	E	F	
15	0.643	0.984	1.213	0.756	0.010	0.090	PA9T
26	0.971	1.312	1.541	1.091	0.020	0.090	PA9T
44	1.511	1.852	2.088	1.618	0.020	0.090	PA9T
62	2.159	2.500	2.729	2.256	0.023	0.095	PA6T

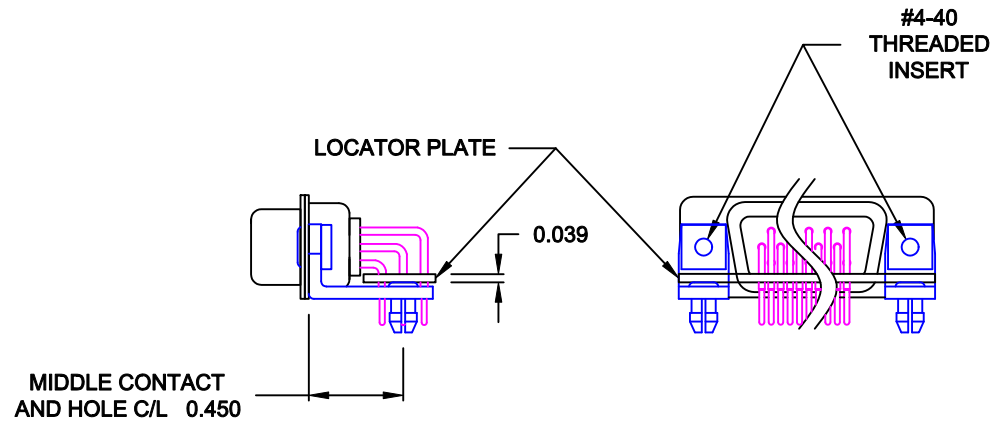
DO NOT SCALE FROM DRAWING

	THESE DRAWINGS AND SPECIFICATIONS ARE THE PROPERTY OF NorComp AND SHALL NOT BE REPRODUCED, COPIED OR USED AS THE BASIS FOR THE MANUFACTURE OF SALE OF APPARATUS WITHOUT WRITTEN PERMISSION.		DRAWN: <b>C. SMITH</b>	DATE: <b>03-19-07</b>
			CHECKED:	DATE:
<b>NorComp</b>	SCALE: <b>1 : 1</b>	SHEET <b>1</b>	OF <b>4</b>	REV <b>14</b>
	DWG NO. <b>181-MYY-2YYRYYY</b>			

**RoHS COMPLIANT**



MOUNTING BRACKET WITH BOARD LOCK



BRACKETS MOUNTED ON CONNECTOR WITH LOCATOR PLATE

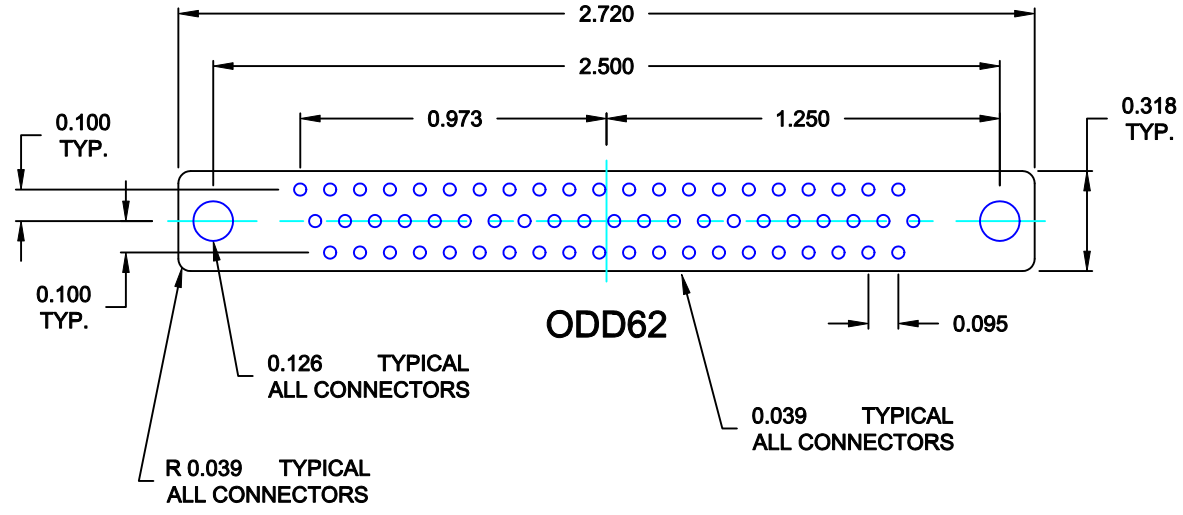
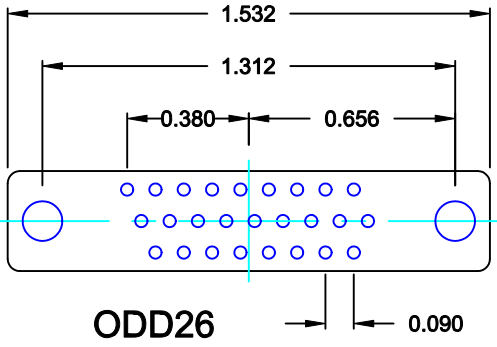
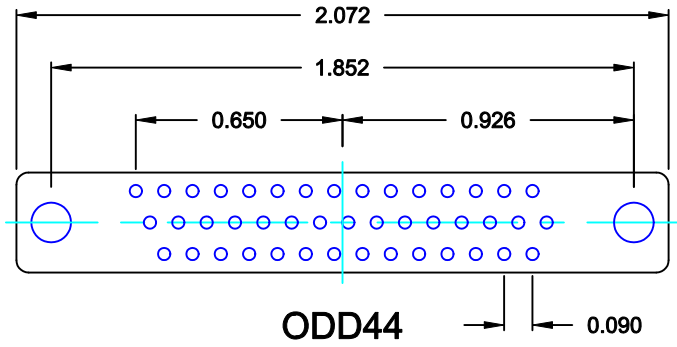
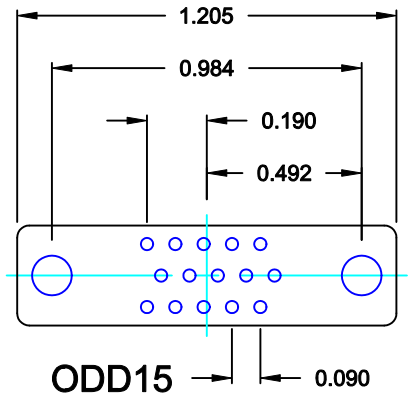
FOR CLARITY  
HIDDEN LINES  
NOT SHOWN

MATERIAL: COLD ROLLED STEEL  
PLATING: CLEAR ZINC


	THESE DRAWINGS AND SPECIFICATIONS ARE THE PROPERTY OF NorComp AND SHALL NOT BE REPRODUCED, COPIED OR USED AS THE BASIS FOR THE MANUFACTURE OF SALE OF APPARATUS WITHOUT WRITTEN PERMISSION.		DRAWN: PAM JENKINS	DATE: 11-28-05	
	<h1>NorComp</h1>			CHECKED:	DATE:
SCALE: 1 : 1				SHEET 2 OF 4	REV 14
DWG NO. 181-MYY-2YYRYYY					

**NOTE:** FEMALE LOCATOR PLATE SHOWN  
FLIP FOR MALE

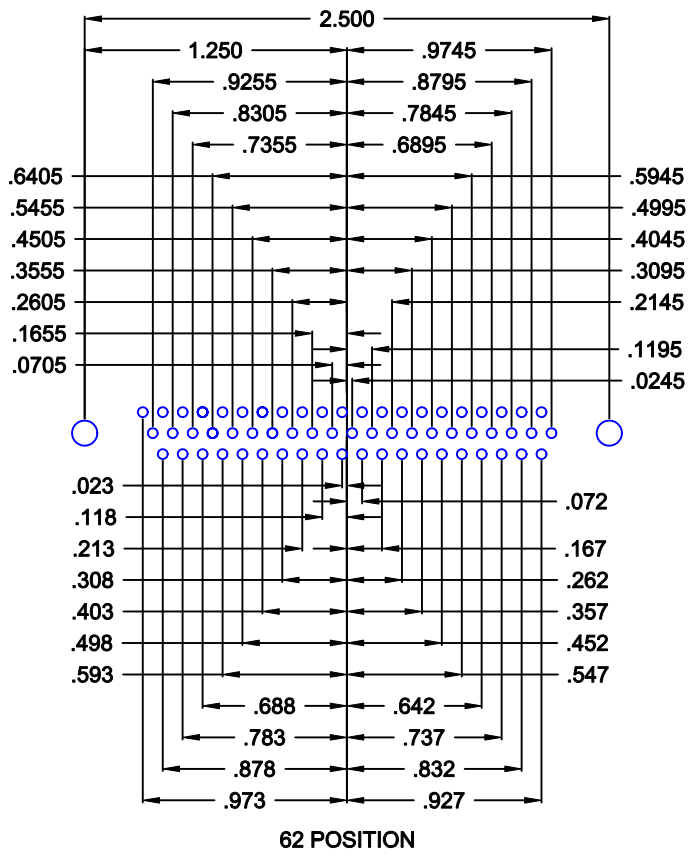
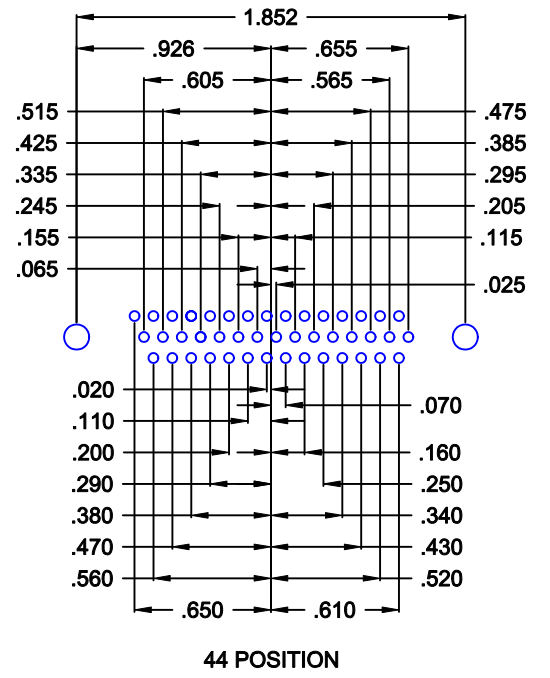
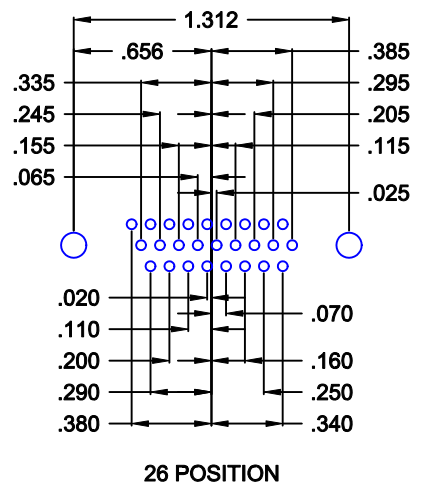
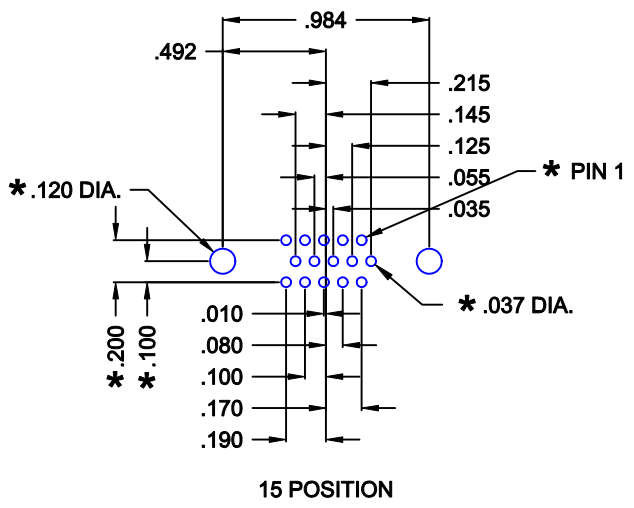
**MATERIAL:** INSULATION PAPER  
0.039" THICK



DO NOT SCALE FROM DRAWING

	THESE DRAWINGS AND SPECIFICATIONS ARE THE PROPERTY OF NorComp AND SHALL NOT BE REPRODUCED, COPIED OR USED AS THE BASIS FOR THE MANUFACTURE OF SALE OF APPARATUS WITHOUT WRITTEN PERMISSION.	DRAWN: C. SMITH	DATE: 02-18-08	
		CHECKED:	DATE:	
<h1>NorComp</h1>		SCALE: 1.5 : 1	SHEET 3 OF 4	REV 14
		DWG NO. 181-MYY-2YYRYYY		

RoHS COMPLIANT



\* TYP. ON ALL SIZES

DO NOT SCALE FROM DRAWING

	THESE DRAWINGS AND SPECIFICATIONS ARE THE PROPERTY OF NorComp AND SHALL NOT BE REPRODUCED, COPIED OR USED AS THE BASIS FOR THE MANUFACTURE OF SALE OF APPARATUS WITHOUT WRITTEN PERMISSION.		DRAWN: <b>C. SMITH</b>	DATE: <b>03-19-07</b>	
			CHECKED:	DATE:	
<b>NorComp</b>		SCALE: <b>1 : 1</b>	SHEET <b>4</b>	OF <b>4</b>	REV <b>14</b>
		DWG NO. <b>181-MYY-2YYRYYY</b>			

# Mouser Electronics

Authorized Distributor

Click to View Pricing, Inventory, Delivery & Lifecycle Information:

[NorComp:](#)

[181-M62-213R141](#) [181-M15-213R141](#) [181-M26-213R141](#) [181-M44-213R141](#)