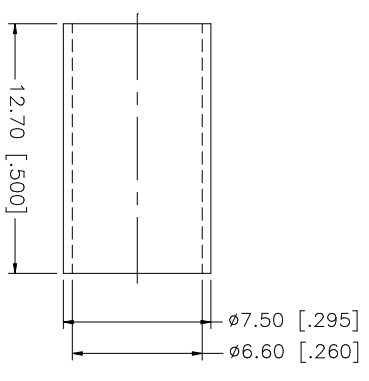
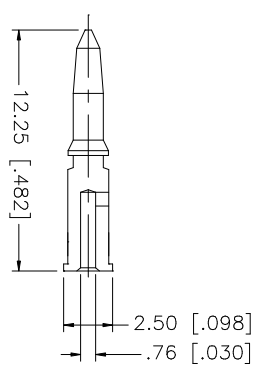
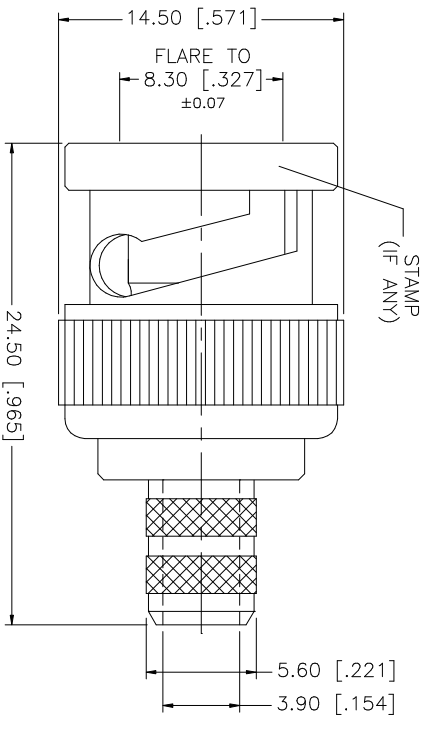
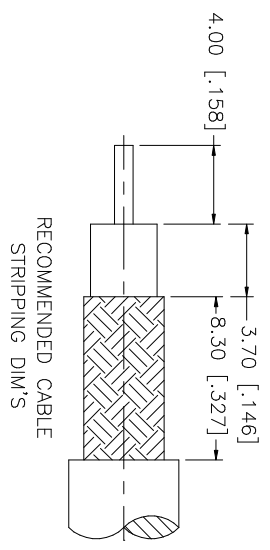


REV.	DATE	DESCRIPTION
A	01/07/03	UPDATE DRAWING FORMAT



CRIMP NOTES:

1. CRIMPED FERRULE
HEX CRIMP SIZE .255"
2. CRIMPED CONTACT PIN
HEX CRIMP SIZE .068"

QTY	FINISH	MATERIAL	DESCRIPTION
1	NICKEL	COPPER	FERRULE
1	GOLD	BRASS	CONTACT PIN
1	NICKEL	BRASS	WASHER
1	NICKEL	SK5	SPRING
1	NICKEL	BRASS	RETAINER RING
1	RED	RUBBER	GASKET
1	NATURAL	TEFLON	INSULATOR
1	NICKEL	BRASS	SHELL/BODY

APPROVALS	DATE
DRAWN G.R.S.	01/07/03
CHECKED	
ISSUED	

PART NO.	PART DESCRIPTION
112123	BNC CRIMP PLUG (FOR RG-59/U CABLE - 75ohm)

CAD FILE	DWG. NO.	REV.	SIZE	SCALE
C:/112/112123.DWG	112123.DWG	A	A	NA

DO NOT SCALE DRAWING
UNLESS OTHERWISE SPECIFIED DIMENSIONS ARE IN MILLIMETERS. DIMENSIONS IN [] ARE IN INCHES AND FOR CUSTOMER REFERENCE ONLY. UNLESS OTHERWISE SPECIFIED TOLERANCES FOR MILLIMETERS ARE: 0.5 - 8mm ± 0.20mm 8 - 30mm ± 0.40mm 30 - 120mm ± 0.50mm UNLESS OTHERWISE SPECIFIED TOLERANCES FOR INCHES ARE: .020 - .315 = ± 0.007" .315 - 1.180 = ± 0.015" 1.180 - 4.724 = ± 0.020"

Amphenol Connex